



Fig. # 5509QTBASS-R

Cored Hole Hydrant Box
(Shown with 5609QT Hydrant)

Product Features:

- Fits 6" dia. cored drill hole
- Flush installation to eliminate catch points
- Frame, cover & housing are made of 16 gauge, type 304 stainless steel
- Locking hinged cover opens 180°
- Simple & easy to install in core drilled concrete wall



Fig. # 5609QT

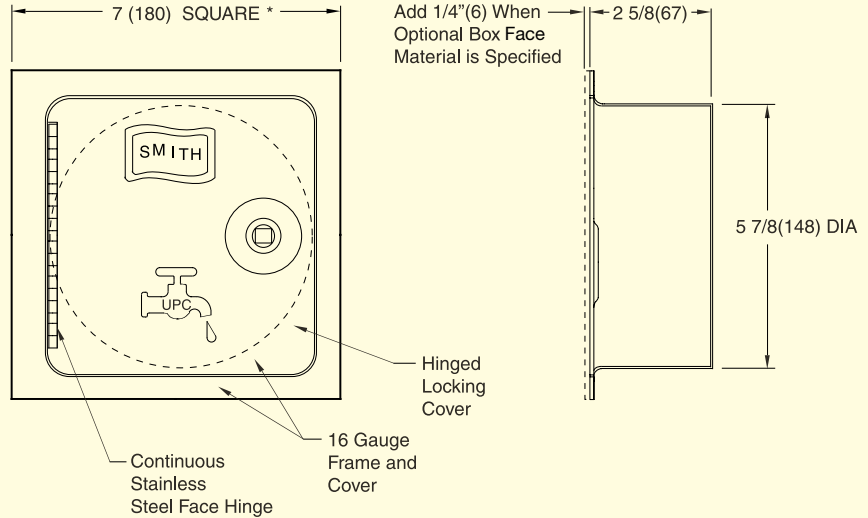
Quarter-Turn Wall Hydrant
Specifications:
• Meets ANSI A112.21.3

Product Features:

- Quarter-turn full-flow feature.
- 3/4" inlet and hose connection.
- Removable "T" handle key.
- Flush installation with backer plate.
- Bronze nickel plated hydrant.
- Mild climate, non-freeze hydrant with integral vacuum breaker and vandal resistant cap.
- Commercial and light commercial construction applications.

6" DIAMETER CORED HOLE STAINLESS STEEL HYDRANT BOX, CONCRETE EXTERIOR WALL

FUNCTION: This round box hydrant is designed to fit into a 6" hole drilled into a concrete wall with a 6" diameter core drill. The stainless steel recessed hydrant box conceals the nozzle and operating mechanism of the 5609QT hydrant making for a clean and simple installation. The stainless steel box comes complete with a vertical hinge avoiding pinched fingers caused by standard horizontal latch type covers. The hinged locking cover opens 180° for clear hydrant access and prevents unauthorized use.



QUARTER TURN NON-FREEZE WALL HYDRANT WITH EXPOSED HOSE CONNECTION

FUNCTION: This non-freeze hydrant has a quarter-turn feature that allows for a full flow of water with a 1/4 turn of the key and the integral vacuum breaker provides positive non-freeze protection when water is required at the outside of the building. The hydrant can be installed on an interior wall and is adaptable to all types of wall construction.

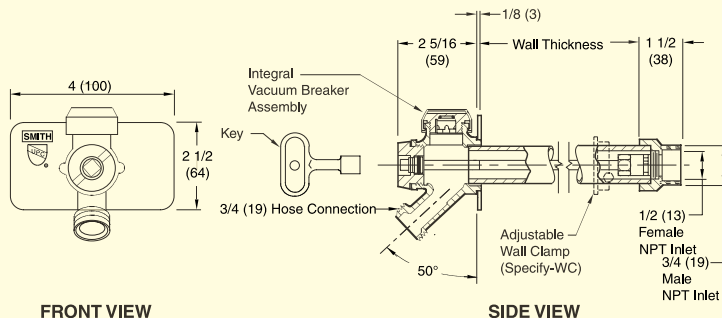


FIG. 5609QT PATENTED
Seepage of a small amount of water may occur from the vacuum breaker upon the initial opening of this hydrant. This is normal operation.

- NOTES:**
1. Recommended wall opening 2(51) x 2(51). Hydrant shall be in the vertical position only, the hose connection must be on the bottom.
 2. When ordering, specify wall thickness in 02"(51) increment as follows: 04(100), 06(150), 08(205), 10(255), 12(305), 14(355), 16(405), 18(455), 20(510), 22(560) or 24"(610). When wall clamp -WC is desired, increase wall thickness dimension by 2"(51).
 3. All Jay R. Smith hydrants are manufactured with "NO-LEAD" brazing rings and USDA approved lubricants.

- REGULARLY FURNISHED:**
Bronze Nickel Plated Quarter Turn Non-Freeze Hydrant with 3/4" (19) Hose Connection, Backer Plate, Integral Vacuum Breaker with Vandal Resistant Cap and "T" Handle Key.
- VARIATIONS:**
- Adjustable Wall Clamp -WC
 - 1" (25) Hose Connection -HC1
 - 1" (25) Male NPT Inlet Connection -IC1
 - Wheel Handle -WH
- OPTIONAL MATERIALS:**
- Chrome Plated -CP
 - Chrome Plated Backer Plate -BPCP
 - Polished Bronze -PB
 - Polished Bronze Backer Plate -BPPB
- NOTE:** Dimensions shown in parentheses are in millimeters.
* Add 3/4" (19) to Overall Length When Specified