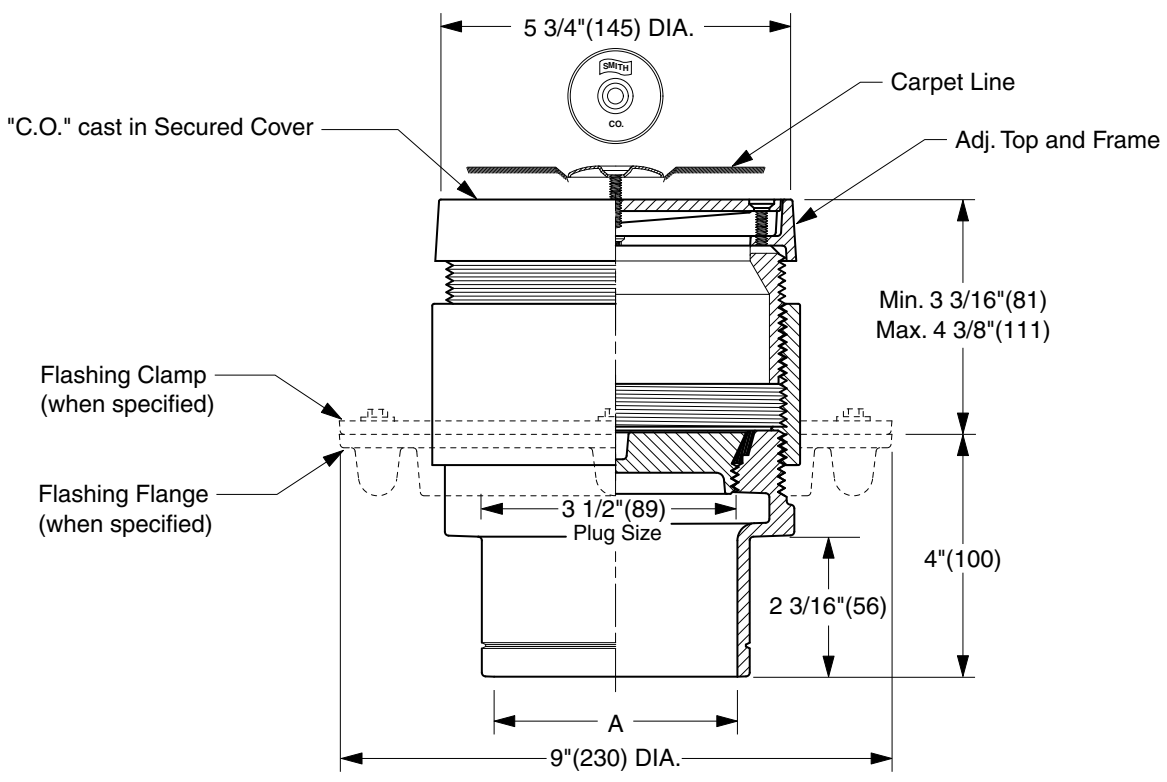


## FLOOR CLEANOUTS WITH "TWIS-TO-FLOOR®" ADJUSTABLE TOPS AND CARPET MARKER

### ROUND NICKEL BRONZE TOP

**FUNCTION:** For use in carpeted floors bearing foot and medium load wheeled traffic. Allows for easy carpet level adjustment.



TWIS-TO-FLOOR® ADJUSTMENT

NO-HUB OUTLET

"A" (Pipe Size) = 02(50), 03(75), 04(100) or 05(125)

- |                          |  |   |
|--------------------------|--|---|
| <input type="checkbox"/> | Fig. 4020S (-Y).....Gasket Seal - ABS Plug     | (Twis-to-Floor® design shown with gasketed plug.) |
| <input type="checkbox"/> | Fig. 4021S (-Y).....Gasket Seal - Bronze Plug  |   |
| <input type="checkbox"/> | Fig. 4023S (-Y).....Taper Thread - Bronze Plug |   |
| <input type="checkbox"/> | Fig. 4024S (-Y).....Taper Thread - ABS Plug    |   |

**REGULARLY FURNISHED:**

Duco Cast Iron Cleanout with Round Adjustable Scoriated Secured Nickel Bronze Top and Carpet Marker. Closure Plug Type as Indicated by Figure Number Selected.

**VARIATIONS:**

- |                          |                                 |
|--------------------------|---------------------------------|
| <input type="checkbox"/> | Flashing Flange -F              |
| <input type="checkbox"/> | Flange with Flashing Clamp -F-C |
| <input type="checkbox"/> | Vandal Proof Top -U             |
| <input type="checkbox"/> | Wide Flange (DX)                |

**OPTIONAL MATERIALS:**

- |                          |                         |
|--------------------------|-------------------------|
| <input type="checkbox"/> | Galvanized Cast Iron -G |
| <input type="checkbox"/> | Polished Bronze Top -PB |

**NOTE:** Dimensions shown in parentheses are in millimeters.

DRAWING NUMBER: S4020 (-Y)  
 SIZE: A  
 SCALE: NONE  
 DATE: 04/13/89  
 APPROVED BY: TD  
 CHECKED BY: CR  
 DRAWN BY: EMB  
**4020 (-Y) SERIES**  
 DIMENSIONS ARE SUBJECT TO MANUFACTURERS TOLERANCE AND CHANGE WITHOUT NOTICE  
 WE CAN ASSUME NO RESPONSIBILITY FOR USE OF SUPERSEDED OR VOID DATA

FIGURE NUMBER	D C B	07/26/02 05/03/01 01/17/01	Corrected Clamp & Flange view Edited Outlet Text New design	JJ JJ JJ	CL CL BS	WEIGHT POUNDS	VOLUME CUBIC FEET	FIGURE NUMBER
REV.	DATE	DESCRIPTION	BY	CKD. BY				<b>4020 (-Y) SERIES</b>



**JAY R. SMITH MFG. CO.**  
 DIVISION OF SMITH INDUSTRIES, INC.  
 POST OFFICE BOX 3237  
 MONTGOMERY, ALABAMA 36109-0237 (USA)  
 TEL: 334-277-8520 FAX: 334-272-7396 www.jrsmith.com



MEMBER OF:

LOCATION

DRAWING NUMBER  
S4020 (-Y)BS

SIZE  
A

SCALE:  
NONE

DATE:  
7-26-06

APPROVED BY:  
CEL

CHECKED BY:  
CL

DRAWN BY:  
TBW

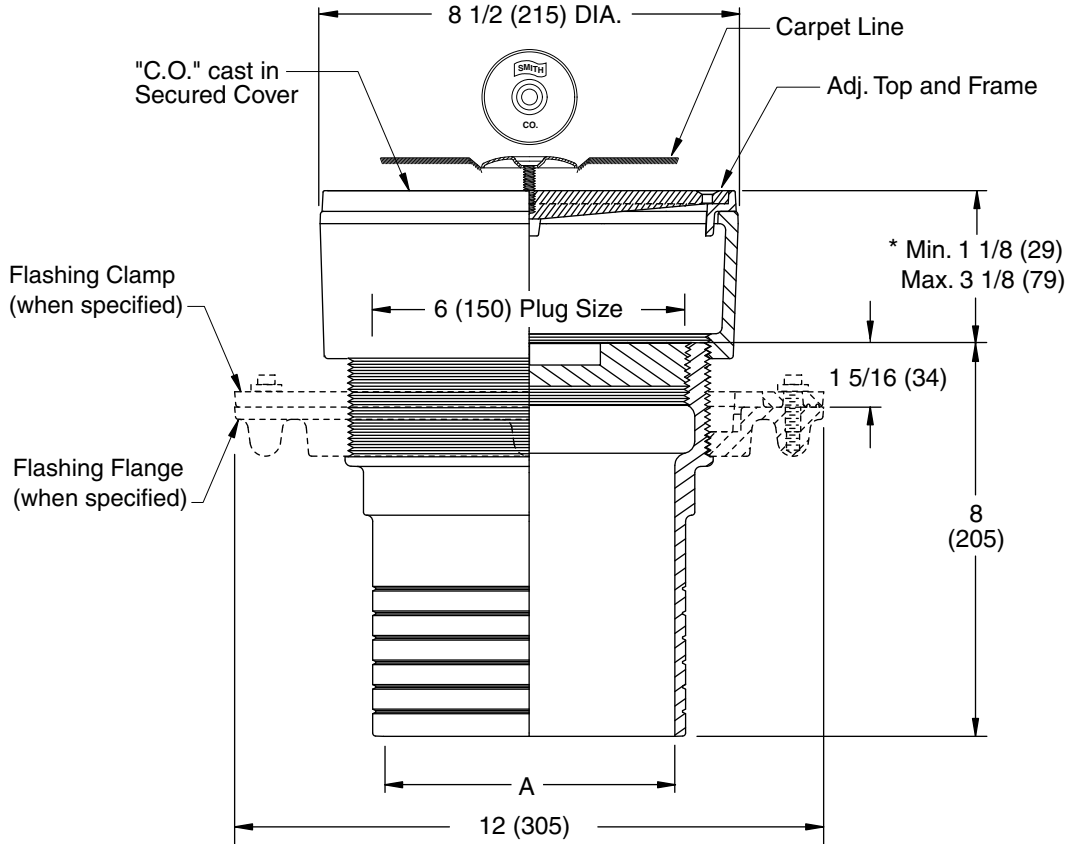
4023 (-Y)

DIMENSIONS ARE SUBJECT TO MANUFACTURERS TOLERANCE AND CHANGE WITHOUT NOTICE

# FLOOR CLEANOUTS WITH "TWIS-TO-FLOOR"® ADJUSTABLE TOPS AND CARPET MARKER

## ROUND NICKEL BRONZE TOP

**FUNCTION:** For use in carpeted floors bearing foot and medium load wheeled traffic. Allows for easy carpet level adjustment.



### SPIGOT OUTLET ▲

"A" (Pipe Size) = 06(150) & 08(200)

▲ Sized for Service Weight and/or NO-HUB.

\* When Flange-F is specified Min. 1 1/8 (29) becomes 1 5/8 (41)

### "TWIS-TO-FLOOR"® ADJUSTMENT

#### SPIGOT OUTLET ▲

Fig. 4023S (-Y).....Taper Thread - Bronze Plug

#### REGULARLY FURNISHED:

Duco Cast Iron Cleanout with Round Adjustable Scoriated Secured Nickel Bronze Top and Carpet Marker.

#### VARIATIONS:

- Flashing Flange -F
- Flange with Flashing Clamp -F-C
- Vandal Proof Top -U

#### OPTIONAL MATERIALS:

- Galvanized Cast Iron -G
- Polished Bronze Top -PB

**NOTE:** Dimensions shown in parentheses are in millimeters.

REV.	DATE	DESCRIPTION	BY	CKD. BY

WEIGHT POUNDS	VOLUME CUBIC FEET

<b>FIGURE NUMBER</b> <b>4023 (-Y)</b>
--