

C

**SMITH® JAY R. SMITH MFG. CO.®**  
 DIVISION OF SMITH INDUSTRIES, INC.  
 POST OFFICE BOX 3237  
 MONTGOMERY, ALABAMA 36109-0237 (USA)  
 TEL: 334-277-8520 FAX: 334-272-7396 www.jrsmith.com



MEMBER OF:

LOCATION

DRAWING NUMBER  
S4025 (-Y)

SIZE  
A

SCALE:  
NONE

DATE:  
04/13/89

APPROVED BY:  
TD

CHECKED BY:  
CR

DRAWN BY:  
EMB

**4025 (-Y) SERIES**

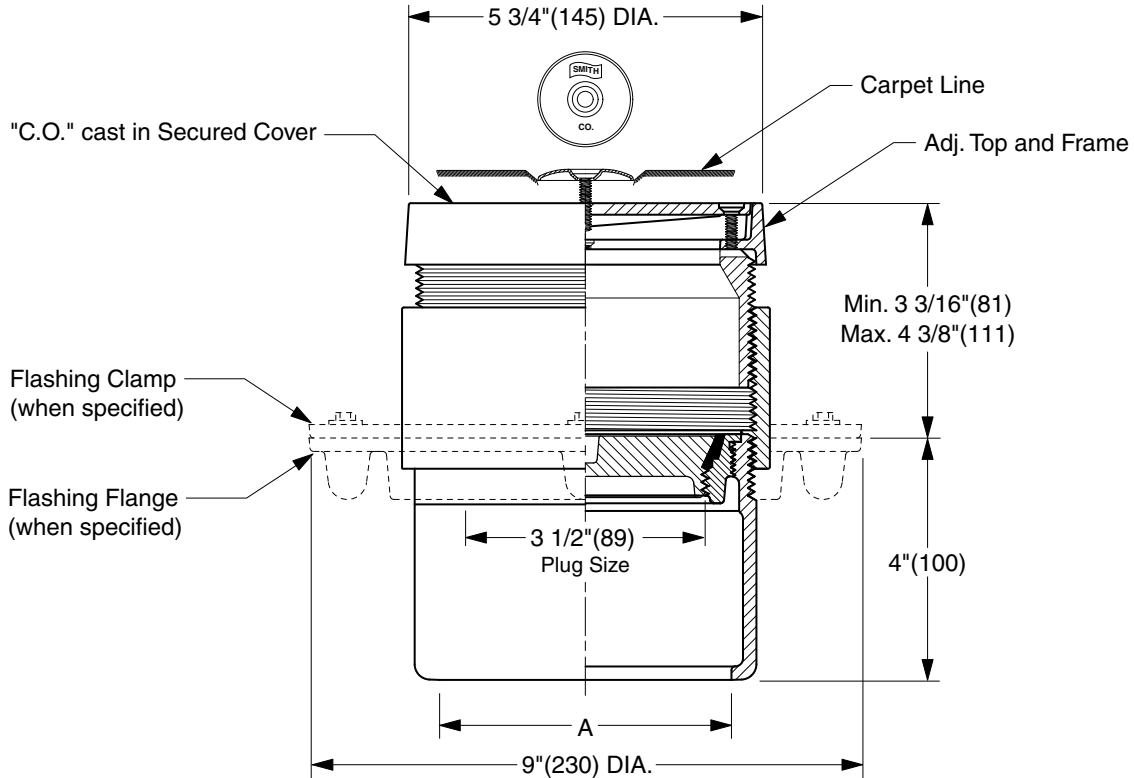
WE CAN ASSUME NO RESPONSIBILITY FOR USE OF SUPERSEDED OR VOID DATA

DIMENSIONS ARE SUBJECT TO MANUFACTURERS TOLERANCE AND CHANGE WITHOUT NOTICE

# CARPETED FLOOR CLEANOUTS WITH "TWIS-TO-FLOOR®" ADJUSTABLE TOPS AND CARPET MARKER

## ROUND NICKEL BRONZE TOP

**FUNCTION:** For use in carpeted floors bearing foot and medium load wheeled traffic. Allows for easy carpet level adjustment.



TWIS-TO-FLOOR® ADJUSTMENT

INSIDE CAULK OUTLET

"A" (Pipe Size) = 02(50), 03(75) or 04(100)

- Fig. 4025C (-Y).....Gasket Seal - ABS Plug
- Fig. 4026C (-Y).....Gasket Seal - Bronze Plug
- Fig. 4028C (-Y).....Taper Thread - Bronze Plug
- Fig. 4029C (-Y).....Taper Thread - ABS Plug

(Twis-to-Floor® design shown with gasketed plug.)

**NOTE:** Dimensions shown in parentheses are in millimeters.

**REGULARLY FURNISHED:**

Duco Cast Iron Cleanout with Round Adjustable Scoriated Secured Nickel Bronze Top and Carpet Marker. Closure Plug Type as Indicated by Figure Number Selected.

**VARIATIONS:**

- Flashing Flange -F
- Flange with Flashing Clamp -F-C
- Carpet Clamping Type -X
- Vandal Proof Top -U
- Wide Flange (DX)

**OPTIONAL MATERIALS:**

- Galvanized Cast Iron -G
- Polished Bronze Top -PB

FIGURE NUMBER

REV. C B

DATE 07/26/02  
01/17/01

DESCRIPTION Corrected Clamp & Flange view  
New design

BY JJ JJ

CKD. BY BS BS

WEIGHT POUNDS

VOLUME CUBIC FEET

FIGURE NUMBER

**4025 (-Y) SERIES**