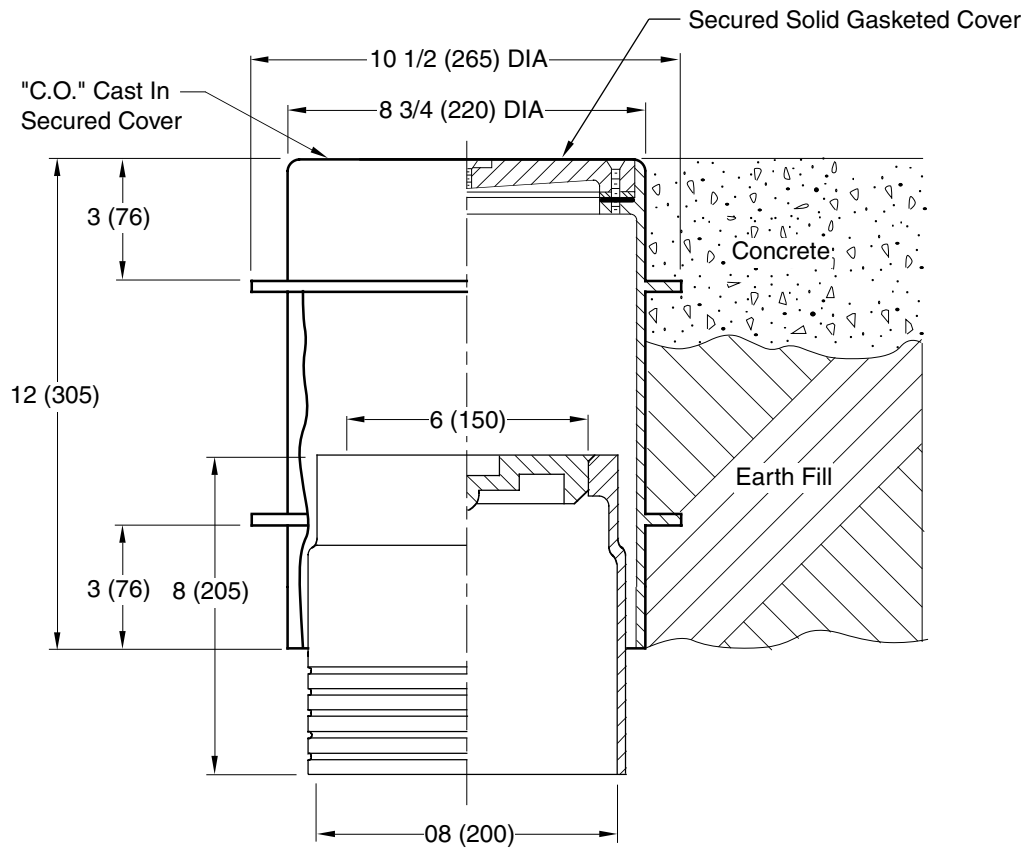


# FLOOR CLEANOUTS FOR UNFINISHED AREAS

## ROUND FLANGED HOUSING WITH HEAVY DUTY CAST IRON COVER

**FUNCTION:** Used in outside and inside areas. High flange permits use in areas surfaced with concrete or other poured materials. Low flange is used with a ring of concrete poured below the surface for non-surfaced areas and areas surfaced with asphalt paving. Housing is completely free of piping so that no loading is transmitted to the pipe.



\*Sized for Service Weight and/or NO-HUB.

**REGULARLY FURNISHED:**

Duco Cast Iron Cleanout with Bronze Taper Thread Plug and Double Flanged Housing with Heavy Duty Secured Scoriated Cast Iron Cover with Lifting Device.

**VARIATIONS:**

- Cover Cast with Words "Gas Shut-Off" -GSO or "Water Shut-Off" -WSO
- Less Ferrule and Plug (See Fig. 4880)
- Vandal Proof Top -U
- Gasketed Cover

**OPTIONAL MATERIALS:**

- Galvanized Cast Iron -G

**NOTE:** Dimensions shown in parentheses are in millimeters.

DRAWING NUMBER  
S4264-G

SIZE  
A

SCALE:  
NONE

DATE:  
04/05/07

APPROVED BY:  
BW

CHECKED BY:  
TWK

DRAWN BY:  
JJ

4264-G

FIGURE NUMBER

WE CAN ASSUME NO RESPONSIBILITY FOR USE OF SUPERSEDED OR VOID DATA

DIMENSIONS ARE SUBJECT TO MANUFACTURERS TOLERANCE AND CHANGE WITHOUT NOTICE

WEIGHT POUNDS	VOLUME CUBIC FEET	FIGURE NUMBER <b>4264-G</b>

REV.	DATE	DESCRIPTION	BY	CKD. BY