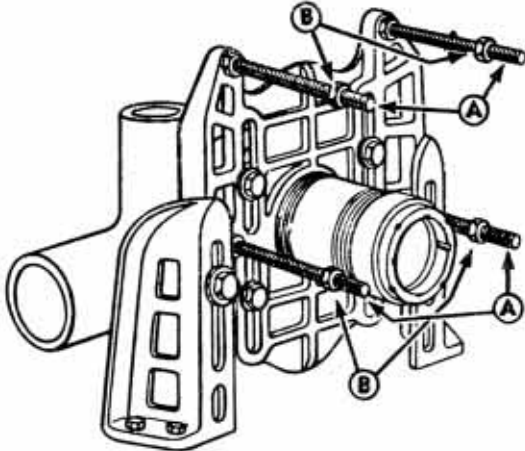


# SMITH FINISHING FRAME

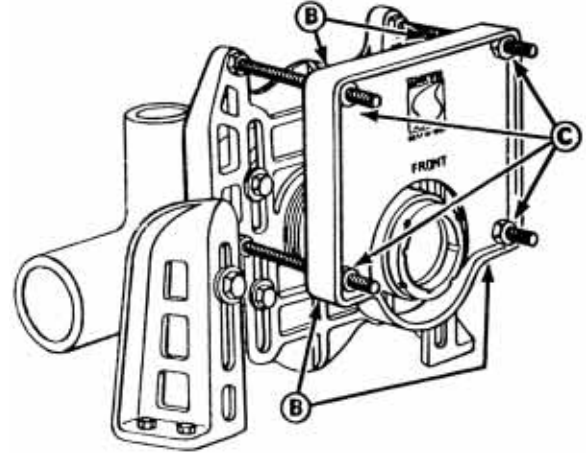
## (PCN 0100M13) INSTALLATION INSTRUCTIONS

1



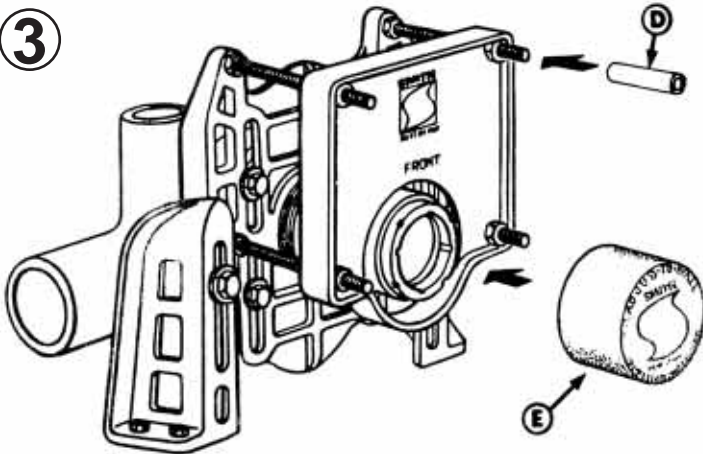
Install 5/8" (16) Back-up Nuts (B) on Studs (A) approximately 2 5/8" (67) from end.

2



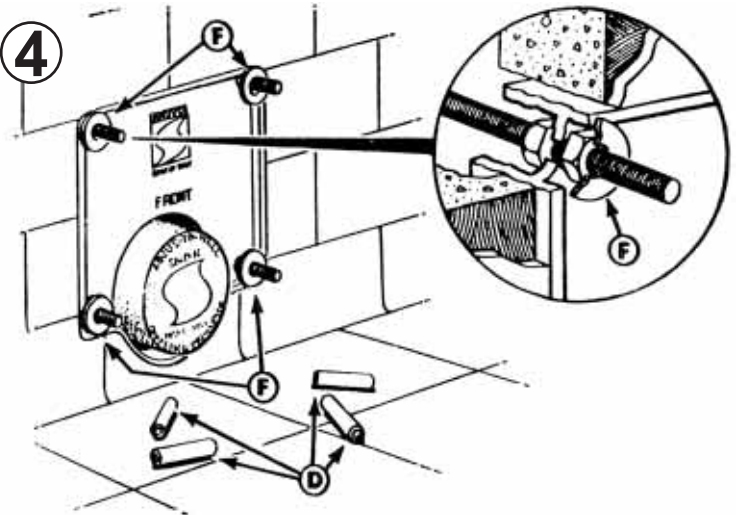
Install Frame with 'FRONT' out. Adjust Back-up Nuts (B) until frame is flush with finished wall line. Lock in place with additional Hex Nuts (C).

3



Install (4) Protective Sleeves (D). Set Coupling 1/4" (6) beyond finished wall line. Install Styrofoam Coupling Protector (E).

4



After finished weall is completed, remove Plastic Sleeves (D). Install Steel Bearing Washers (F), furnished in finished trim package.

**NOTE: SEE COMPLETE INSTALLATION INSTRUCTION SHEET INCLUDED IN TRIM CARTON.**

### FOR SIPHON JET WATER CLOSETS

- PROVIDES ACCURATE FINISHED WALL LINE GUIDE FOR WALL INSTALLER
- PROTECTS ALIGNMENT OF SUPPORT STUDS
- MAKES BOWL INSTALLATION FASTER AND EASIER
- MADE OF DURABLE HIGH IMPACT POLYSTYRENE



**SMITH® JAY R. SMITH MFG. CO.**  
DIVISION OF SMITH INDUSTRIES, INC.  
POST OFFICE BOX 3237  
MONTGOMERY, ALABAMA 36109-0237 (USA)  
TEL: 334-277-8520 FAX: 334-272-7396 www.jrsmith.com

MEMBER OF:



NOTE: Dimensions shown in parentheses are in millimeters.

PM 2530-A