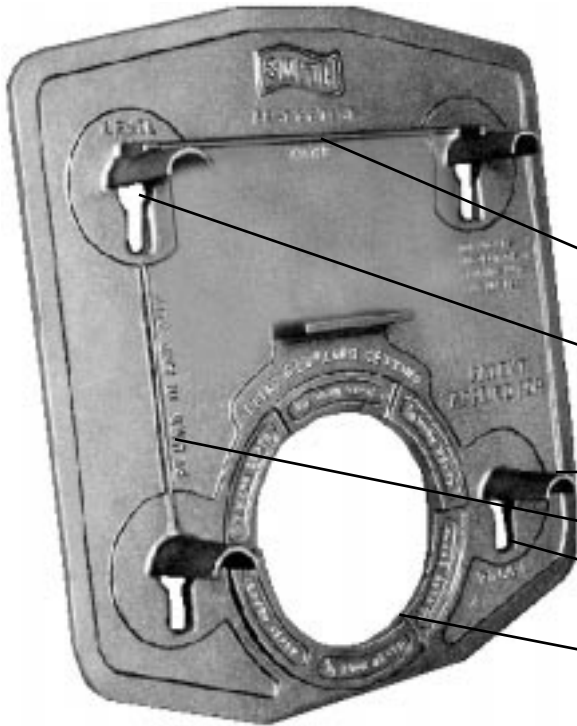


SMITH PLUMB-EASY SETTING GAUGE FOR SIPHON JET WATER CLOSETS

Jay R. Smith, a pioneer in engineered sanitary plumbing products, has developed the Smith plumb-easy water closet setting gauge for siphon jet bowls as a labor saving tool for the plumbing contractor. This new tool has the same dimensions as the rear of the "off the floor" siphon jet bowl and is designed to eliminate costly trial and error test mounting. When the bowl is lifted, it's ready to be installed. A whole battery of installations can be checked before installing the bowls.

We know its value on the job. You must prove it to yourself-order your today. Write directly to Sales Manager, Jay R. Smith Mfg. company Montgomery, Al, or contact your Smith representative.



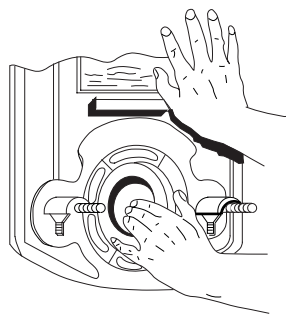
- LEVELING PADS TO CHECK HORIZONTAL ALIGNMENT
- FOUR OPENINGS CHECKS VERTICAL AND HORIZONTAL STUD ALIGNMENT
- FOUR EXTENSIONS TO DETERMINE STUD LENGTH
- VERTICAL PLUMB LINE
- FOUR RECESSES IN BACK OF GAUGE FOR POSITIONING OF BEARING WASHERS
- OPENING AND COUPLING SETTING LOCATIONS FOR OUTLET CONNECTION

SUFFIX (-M17)

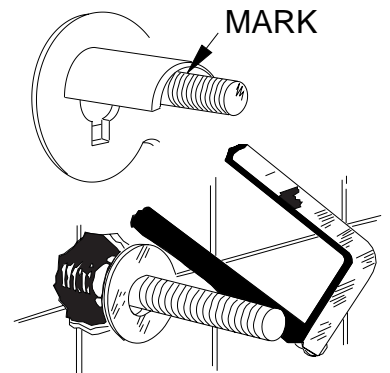
HOW IT WORKS



Slip gauge over studs and hold tight against wall. Check for plumb and level. Adjust bearing washers and nuts to fit tight against back of gauge. Make necessary adjustment or alignment of studs.



Hold gauge tight against wall and adjust outlet coupling flush with pad corresponding to closet horn depth.



Hold gauge tight against bearing nuts and washers, mark cut off point of studs flush with gauge extension. Remove gauge and cut off studs. Install bowl.

REPRESENTED BY:



JAY R. SMITH MFG. CO.
DIVISION OF SMITH INDUSTRIES, INC.
POST OFFICE BOX 3237
MONTGOMERY, ALABAMA 36109-0237 (USA)
TEL: 334-277-8520 FAX: 334-272-7396 www.jrsmith.com



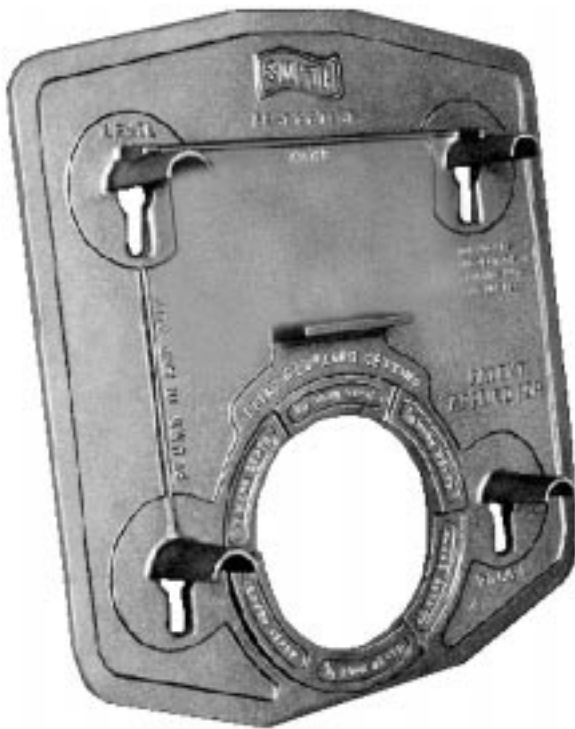
Printed in U.S.A.

PM 2618B



End costly trial & error when installing wall hung water closets!

SMITH® PLUMB-EASY WATER CLOSET SETTING GAUGE



SUFFIX (-M17)

ADVANTAGES

- Checks plumb of wall
- Locates correct position of bearing washers and nuts
- Locates correct protrusion of outlet coupling
- Determines correct protrusion of support studs
- Reduce number of bowl "lifts" per day
- Minimizes bowl flange breakage due to mounting surface irregularities
- Lightweight, cast aluminum, extremely durable precision instrument
- Saves installation time
- Cuts plumbing contractors labor costs

HERE'S HOW IT WORKS →