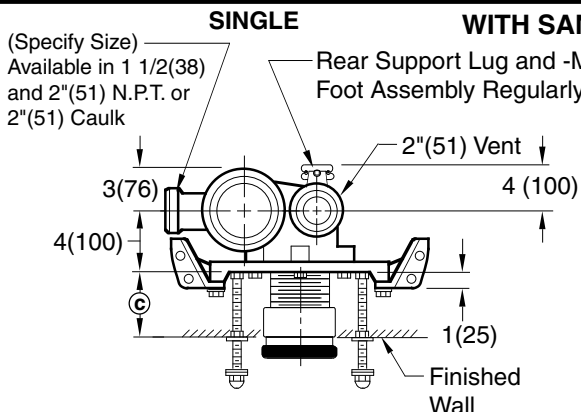
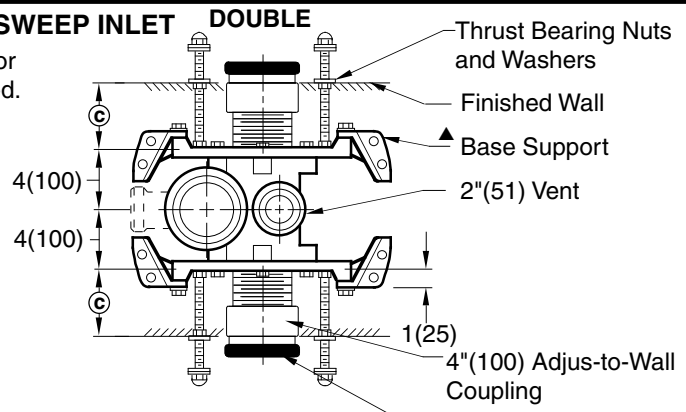


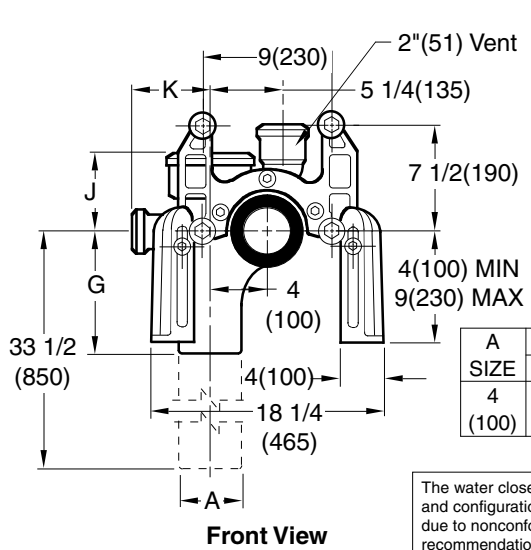
**COMPACT FIXTURE SUPPORTS**  
**WITH VERTICAL OFFSET FITTINGS FOR SIPHON JET WATER CLOSETS**



**Fig. 0411R  
 Top View**



**Fig. 0411D  
 Top View**



**Front View**

- Fig. 0411L . . . CAULK Left Hand
- Fig. 0411LB . . . THREAD Left Hand
- Fig. 0411R . . . CAULK Right Hand
- Fig. 0411RB . . . THREAD Right Hand
- Fig. 0419L . . . CAULK L.H. Long Barrel
- Fig. 0419R . . . CAULK R.H. Long Barrel
- Fig. 0411D . . . CAULK Double
- Fig. 0411DB . . . THREAD Double
- Fig. 0419D . . . CAULK Double Long Barrel

**NOTE:** When used with concealed flush valve locate face plate behind supply pipe.

**▲ NOTE:** Base support must be securely anchored to floor (with four 1/2"(13) bolts provided by contractor).

SIZE	A		G		J		K	
	CAULK	THREAD	CAULK	THREAD	CAULK	THREAD	CAULK	THREAD
4 (100)	8 (205)	7 1/4 (185)	5 1/2 (140)	3 3/4 (95)	5 1/2 (140)	3 3/4 (95)		

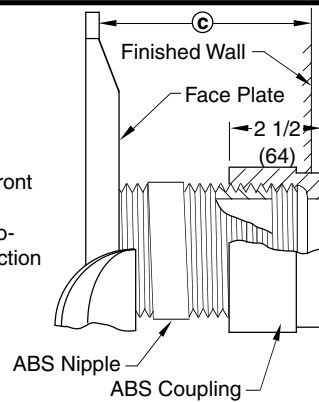
The water closet gasket regularly furnished is made of molded neoprene and designed to fit water closet outlet dimensions and configurations shown in ANSI Standard A112.19.2M-1995, Figure 13B. If gasket is not found to be compatible to fixture due to nonconformance of said fixture to ANSI A112.19.2M, then fixture manufacturer shall be consulted for a suitable gasket recommendation. Jay R. Smith assumes no liability for connections to fixtures which do not conform to these standards.

**© DIMENSION - ADJUS-TO-WALL  
 TYPE OUTLET CONNECTION**

The Smith Adjus-to-Wall outlet connection provides adjustment at the face of the wall at the time the fixture is set; thus, compensating for wall construction variations. The © dimension is measured from the front of the face plate to the finished wall. To properly determine the length of nipple required, deduct 1" (25) from the © dimension. The Adjus-to-Wall coupling will provide 1/2" (13) horizontal adjustment in either direction with the coupling extended 5/16" (8) past face of the finished wall.

© dimension = 4" (100) (regularly furnished) consisting of nipple and Adjus-to-Wall coupling permitting adjustment from 3" (76) min. to 4" (100) max.

\*ABS (Regularly Furnished) other lengths PVC. **NOTE:** Dimensions shown in parentheses are in millimeters.



**NIPPLE LENGTHS AVAILABLE**

LENGTH	MIN	©	MAX
2 1/2 (64)	2 1/4 (57)	3 1/4 (83)	
*3 1/4 (83)	3 (76)	4 (100)	
*8 1/4 (210)	8 (205)	9 (230)	
10 (255)	9 3/4 (250)	10 3/4 (275)	
12 (305)	11 3/4 (300)	12 3/4 (325)	
15 (380)	14 3/4 (375)	15 3/4 (400)	
18 (455)	17 3/4 (450)	18 3/4 (475)	

**NOTE:** When nipple lengths between 3 1/4" (83) and 8 1/4" (210) are specified, the 8 1/4" (210) nipple will be supplied. Nipple must be cut to specified length by others.

DRAWING NUMBER S0411  
 SIZE A  
 SCALE: NONE  
 DATE: 10-27-69  
 APPROVED BY:  
 CHECKED BY: RP  
 DRAWN BY: RVB  
 FIGURE NUMBER 0411,0419

WE CAN ASSUME NO RESPONSIBILITY FOR USE OF SUPERSEDED OR VOID DATA  
 DIMENSIONS ARE SUBJECT TO MANUFACTURERS TOLERANCE AND CHANGE WITHOUT NOTICE

REV.	DATE	DESCRIPTION	BY	CKD. BY
	7-1-98	Submittal Update	ASL	BS
	1-26-98	Added Millimeters	EMB	BS
	4-29-94	Revised	EMB	BS
	7-15-93	Submittal Update	EMB	BS

WEIGHT POUNDS	VOLUME CUBIC FEET
------------------	----------------------

**FIGURE NUMBER**  
**0411,0419**

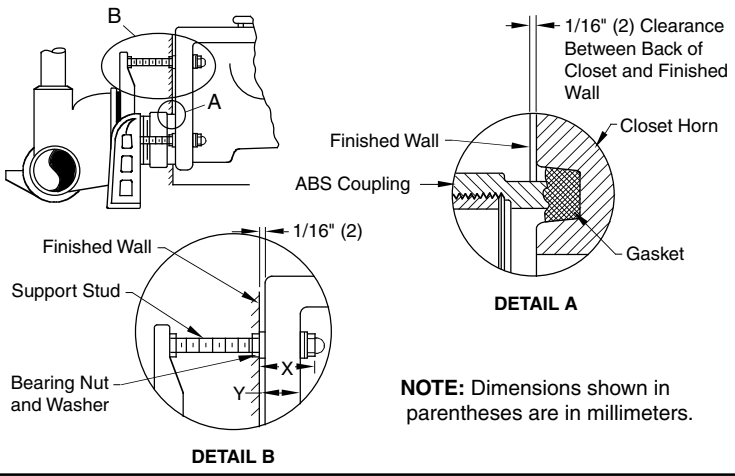
# MODIFICATIONS & VARIATIONS FOR SIPHON JET WATER CLOSETS

## RECOMMENDED SETTING OF CLOSET OUTLET CONNECTION AND FIXTURE STUDS

Manufacturers have slight differences in the depth of the closet horn and flange thickness of their closets. Usually the fixture support closet connection should extend 5/16" (8) beyond face of finished wall (Dimension "R") and the fixture studs 2 1/4" (57) (Dimension "X"). For exact dimensions please use the formulas below.

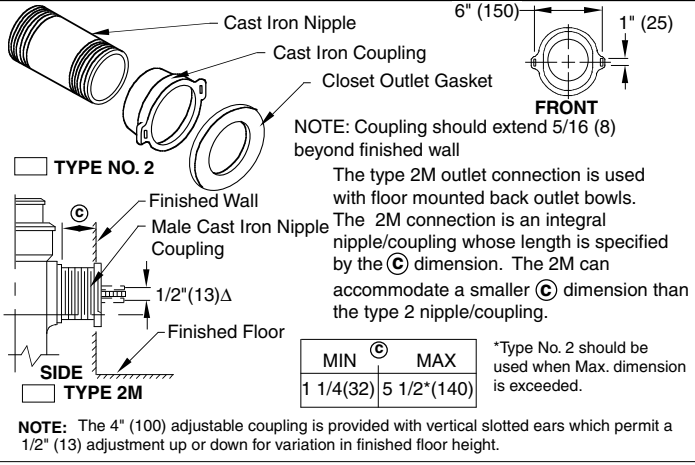
**DETAIL A** Formula for "R" is:  $S + 1/16" (2) - D = R$ .  
 S = Depth of closet horn  
 1/16" (2) = Distance closet is to set away from finished wall.  
 D = 1/2" (13) for felt gasket and 3/8" (10) for neoprene gasket.  
 R = Distance coupling should extend beyond finished wall.  
 NOTE: When the fixture is installed, closet gasket must be compressed sufficiently to assure a gas and water-tight seal.

**DETAIL B** Formula for "X" is:  $Y + 1/16" (2) + 9/16" (14) = X$ .  
 Y = Thickness of closet wall flange.  
 1/16" (2) = Distance closet is to set away from finished wall.  
 X = Distance supporting stud should extend beyond finished wall.  
 NOTE: Bearing nuts and washers must be set to take full loading from the fixture allowing 1/16" (2) clearance between fixture and wall.



**NOTE:** Dimensions shown in parentheses are in millimeters.

## OPTIONAL CLOSET OUTLET CONNECTIONS

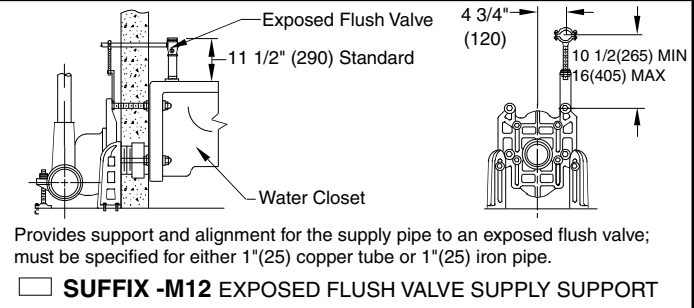


**NOTE:** Coupling should extend 5/16" (8) beyond finished wall

The type 2M outlet connection is used with floor mounted back outlet bowls. The 2M connection is an integral nipple/coupling whose length is specified by the © dimension. The 2M can accommodate a smaller © dimension than the type 2 nipple/coupling.

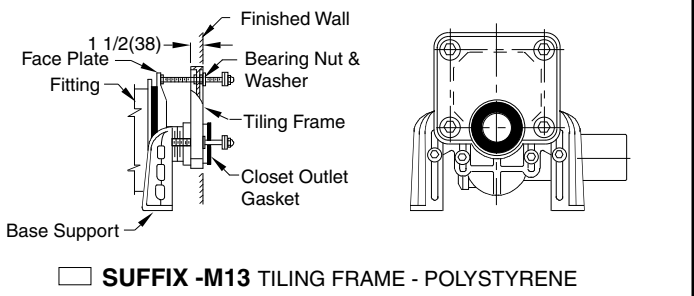
	MIN	©	MAX
TYPE 2M	1 1/4 (32)	5 1/2" (140)	

**NOTE:** The 4" (100) adjustable coupling is provided with vertical slotted ears which permit a 1/2" (13) adjustment up or down for variation in finished floor height.

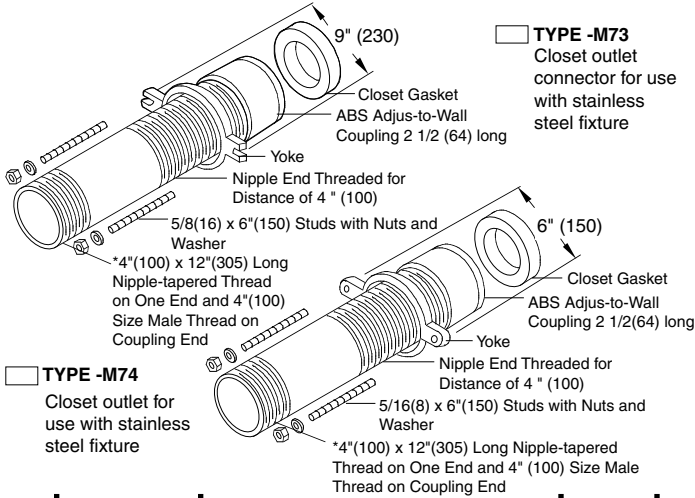


Provides support and alignment for the supply pipe to an exposed flush valve; must be specified for either 1" (25) copper tube or 1" (25) iron pipe.

**SUFFIX -M12 EXPOSED FLUSH VALVE SUPPLY SUPPORT**

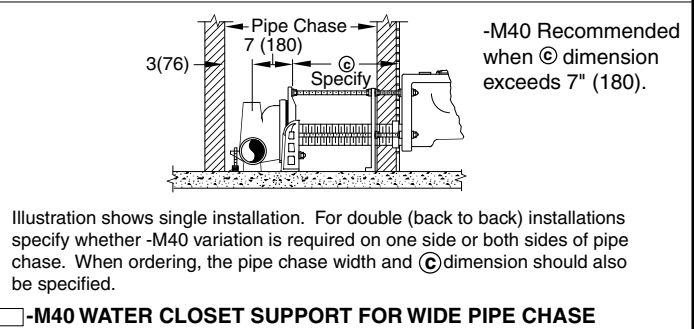


**SUFFIX -M13 TILING FRAME - POLYSTYRENE**



**TYPE -M73**  
 Closet outlet connector for use with stainless steel fixture

**TYPE -M74**  
 Closet outlet for use with stainless steel fixture



-M40 Recommended when © dimension exceeds 7" (180).

**-M40 WATER CLOSET SUPPORT FOR WIDE PIPE CHASE**

**100/400 Series Back Sheet**  
 DRAWING NUMBER: S0100BS  
 SIZE: A  
 SCALE: NONE  
 DATE: 1-16-85  
 APPROVED BY: JD  
 CHECKED BY: CR  
 DRAWN BY: VGD  
 DIMENSIONS ARE SUBJECT TO MANUFACTURERS TOLERANCE AND CHANGE WITHOUT NOTICE

REV.	DATE	DESCRIPTION	BY	CKD. BY
C	12-10-03	Added Note	RN	CL
B	2-26-96	Added Millimeters	EMB	BS
A	7-1-93	Submittal Update	EMB	BS

WEIGHT POUNDS	VOLUME CUBIC FEET	<b>FIGURE NUMBER</b>
		<b>100/400 Series Back Sheet</b>