

H



JAY R. SMITH MFG. CO.
 DIVISION OF SMITH INDUSTRIES, INC.
 POST OFFICE BOX 3237
 MONTGOMERY, ALABAMA 36109-0237 (USA)
 TEL: 334-277-8520 FAX: 334-272-7396 www.jrsmith.com



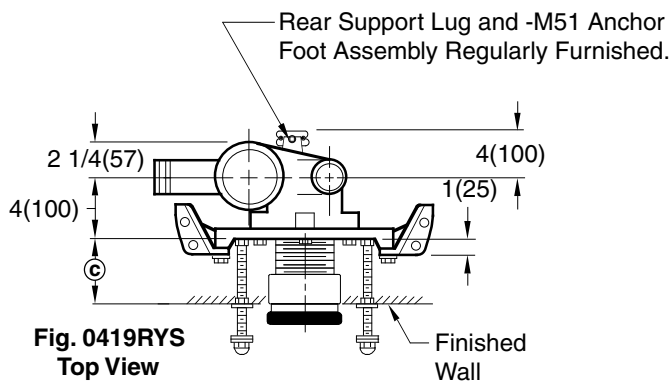
MEMBER OF:

LOCATION

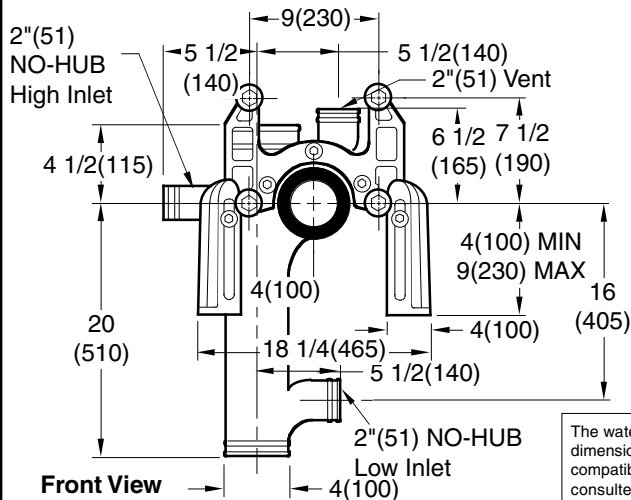
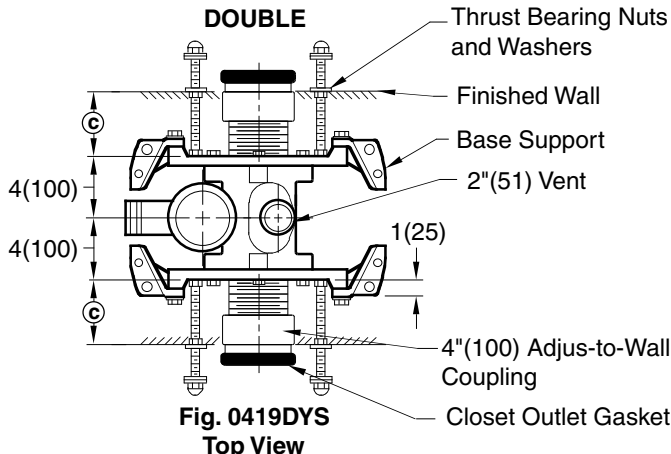
NO-HUB COMPACT FIXTURE SUPPORTS WITH VERTICAL OFFSET FITTINGS FOR SIPHON JET WATER CLOSETS

WITH SANITARY SWEEP INLETS

SINGLE



DOUBLE



- Fig. 0419LYS . . . NO-HUB L.H. Long Barrel
- Fig. 0419RYS . . . NO-HUB R.H. Long Barrel
- Fig. 0419DYS . . . NO-HUB Double Long Barrel

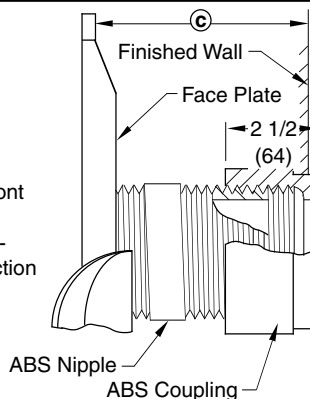
NOTE: See reverse side for recommended setting of closet outlet connection and various modifications.
NOTE: When used with concealed flush valve, locate face plate behind supply pipe.
NOTE: Base support must be securely anchored to floor with four 1/2" (13) bolts provided by contractor.
NOTE: Fittings shown are regularly furnished with (2) 2" (51) NO-HUB sanitary sweep inlet.
NOTE: Side inlet 1 1/2" (38) or 2" (51) N.P.T. or 2" (51) caulk (specify type and size). Min © dimension of 1 1/2 (38) available using short nipple less coupling.

The water closet gasket regularly furnished is made of molded neoprene and designed to fit water closet outlet dimensions and configurations shown in ANSI Standard A112.19.2M-1995, Figure 13B. If gasket is not found to be compatible to fixture due to nonconformance of said fixture to ANSI A112.19.2M, then fixture manufacturer shall be consulted for a suitable gasket recommendation. Jay R. Smith assumes no liability for connections to fixtures which do not conform to these standards.

© DIMENSION - ADJUS-TO-WALL TYPE OUTLET CONNECTION

The Smith Adjus-to-Wall outlet connection provides adjustment at the face of the wall at the time the fixture is set; thus, compensating for wall construction variations. The © dimension is measured from the front of the face plate to the finished wall. To properly determine the length of nipple required, deduct 1" (25) from the © dimension. The Adjus-to-Wall coupling will provide 1/2" (13) horizontal adjustment in either direction with the coupling extended 5/16" (8) past face of the finished wall.

© dimension = 4" (100) (regularly furnished) consisting of nipple and Adjus-to-Wall coupling permitting adjustment from 3" (76) min. to 4" (100) max.



NIPPLE LENGTHS AVAILABLE

LENGTH	MIN	©	MAX
2 1/2 (64)	2 1/4 (57)	3 1/4 (83)	
*3 1/4 (83)	3 (76)	4 (100)	
*8 1/4 (210)	8 (205)	9 (230)	
10 (255)	9 3/4 (250)	10 3/4 (275)	
12 (305)	11 3/4 (300)	12 3/4 (325)	
15 (380)	14 3/4 (375)	15 3/4 (400)	
18 (455)	17 3/4 (450)	18 3/4 (475)	

NOTE: When nipple lengths between 3 1/4" (83) and 8 1/4" (210) are specified, the 8 1/4" (210) nipple will be supplied. Nipple must be cut to specified length by others.

*ABS (Regularly Furnished) other lengths PVC.

NOTE: Dimensions shown in parentheses are in millimeters.

REV.	DATE	DESCRIPTION	BY	CKD. BY
H	7-1-98	Submittal Update	ASL	BS
G	1-27-98	Chg'd Callout	EMB	BS
F	3-5-97	Added Millimeters	EMB	BS
E	6-1-94	Submittal Update	EMB	BS

WEIGHT POUNDS	VOLUME CUBIC FEET	FIGURE NUMBER
		0419YS

DRAWING NUMBER
S0419YS

SIZE
A

SCALE:
NONE

DATE:
12-6-71

APPROVED BY:

CHECKED BY:
RP

DRAWN BY:
RK

0419YS

FIGURE NUMBER

WE CAN ASSUME NO RESPONSIBILITY FOR USE OF SUPERSEDED OR VOID DATA

DIMENSIONS ARE SUBJECT TO MANUFACTURERS TOLERANCE AND CHANGE WITHOUT NOTICE

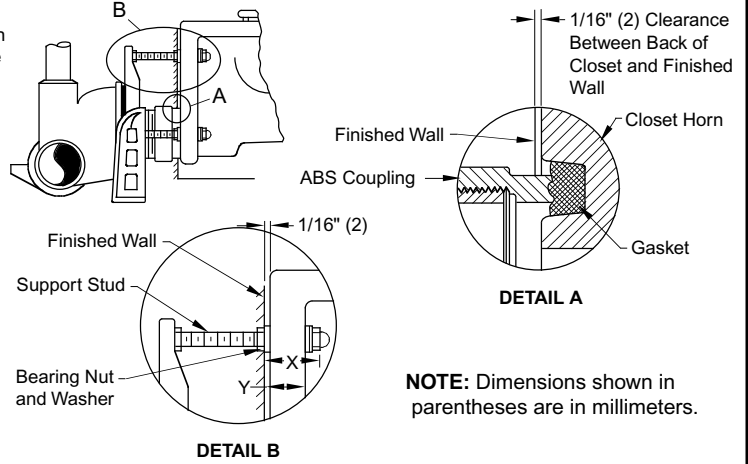
MODIFICATIONS & VARIATIONS FOR SIPHON JET WATER CLOSETS

RECOMMENDED SETTING OF CLOSET OUTLET CONNECTION AND FIXTURE STUDS

Manufacturers have slight differences in the depth of the closet horn and flange thickness of their closets. Usually the fixture support closet connection should extend 5/16" (8) beyond face of finished wall (Dimension "R") and the fixture studs 2 1/4" (57) (Dimension "X"). For exact dimensions please use the formulas below.

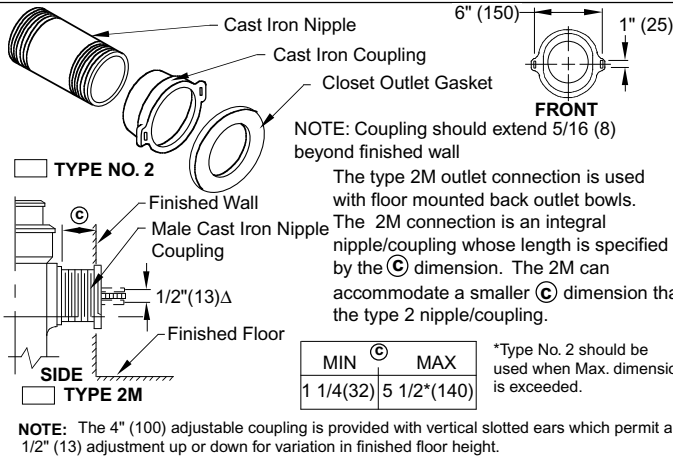
DETAIL A Formula for "R" is: $S + 1/16" (2) - D = R$.
 S = Depth of closet horn
 1/16" (2) = Distance closet is to set away from finished wall.
 D = 1/2" (13) for felt gasket and 3/8" (10) for neoprene gasket.
 R = Distance coupling should extend beyond finished wall.
 NOTE: When the fixture is installed, closet gasket must be compressed sufficiently to assure a gas and water-tight seal.

DETAIL B Formula for "X" is: $Y + 1/16" (2) + 9/16" (14) = X$.
 Y = Thickness of closet wall flange.
 1/16" (2) = Distance closet is to set away from finished wall.
 X = Distance supporting stud should extend beyond finished wall.
 NOTE: Bearing nuts and washers must be set to take full loading from the fixture allowing 1/16" (2) clearance between fixture and wall.



NOTE: Dimensions shown in parentheses are in millimeters.

OPTIONAL CLOSET OUTLET CONNECTIONS



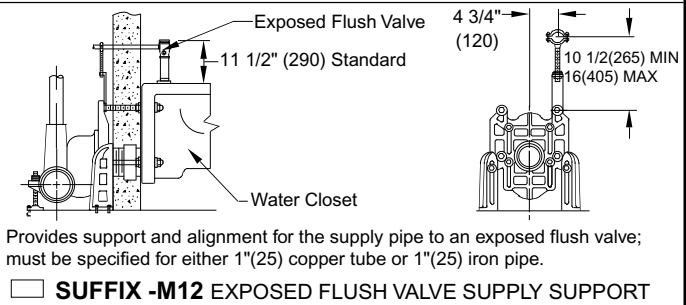
NOTE: Coupling should extend 5/16" (8) beyond finished wall

The type 2M outlet connection is used with floor mounted back outlet bowls. The 2M connection is an integral nipple/coupling whose length is specified by the © dimension. The 2M can accommodate a smaller © dimension than the type 2 nipple/coupling.

MIN	©	MAX
1 1/4 (32)	5 1/2" (140)	

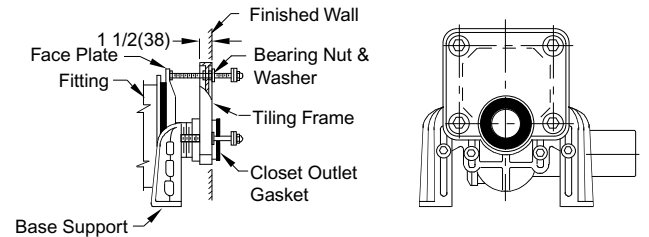
*Type No. 2 should be used when Max. dimension is exceeded.

NOTE: The 4" (100) adjustable coupling is provided with vertical slotted ears which permit a 1/2" (13) adjustment up or down for variation in finished floor height.

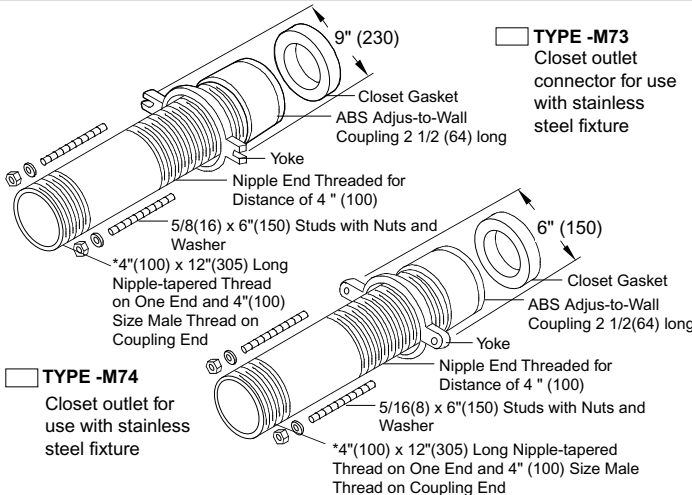


Provides support and alignment for the supply pipe to an exposed flush valve; must be specified for either 1" (25) copper tube or 1" (25) iron pipe.

SUFFIX -M12 EXPOSED FLUSH VALVE SUPPLY SUPPORT

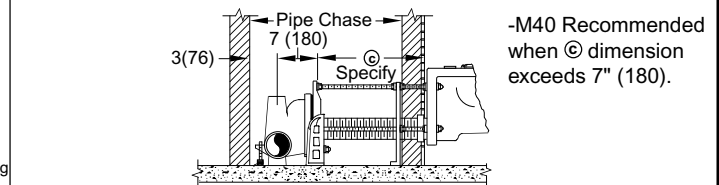


SUFFIX -M13 TILING FRAME - POLYSTYRENE



TYPE -M73
 Closet outlet connector for use with stainless steel fixture

TYPE -M74
 Closet outlet for use with stainless steel fixture



-M40 Recommended when © dimension exceeds 7" (180).

Illustration shows single installation. For double (back to back) installations specify whether -M40 variation is required on one side or both sides of pipe chase. When ordering, the pipe chase width and © dimension should also be specified.

-M40 WATER CLOSET SUPPORT FOR WIDE PIPE CHASE

DRAWING NUMBER: S0100BS
 SIZE: A
 SCALE: NONE
 DATE: 1-16-85
 APPROVED BY: JD
 CHECKED BY: CR
 DRAWN BY: VGD
 100/400 Series Back Sheet
 DIMENSIONS ARE SUBJECT TO MANUFACTURERS TOLERANCE AND CHANGE WITHOUT NOTICE
 WE CAN ASSUME NO RESPONSIBILITY FOR USE OF SUPERSEDED OR VOID DATA

REV.	DATE	DESCRIPTION	BY	CKD. BY
C	12-10-03	Added Note	RN	CL
B	2-26-96	Added Millimeters	EMB	BS
A	7-1-93	Submittal Update	EMB	BS

WEIGHT POUNDS	VOLUME CUBIC FEET	FIGURE NUMBER
		100/400 Series Back Sheet