

INLET STACK FITTINGS

90° DOUBLE VERTICAL STACK NO-HUB FITTING

FUNCTION: Recommended for use in institutions where one stack fitting serves two water closets. The 1 1/2" (38) or 2" (51) connection is provided for a lavatory waste when required.

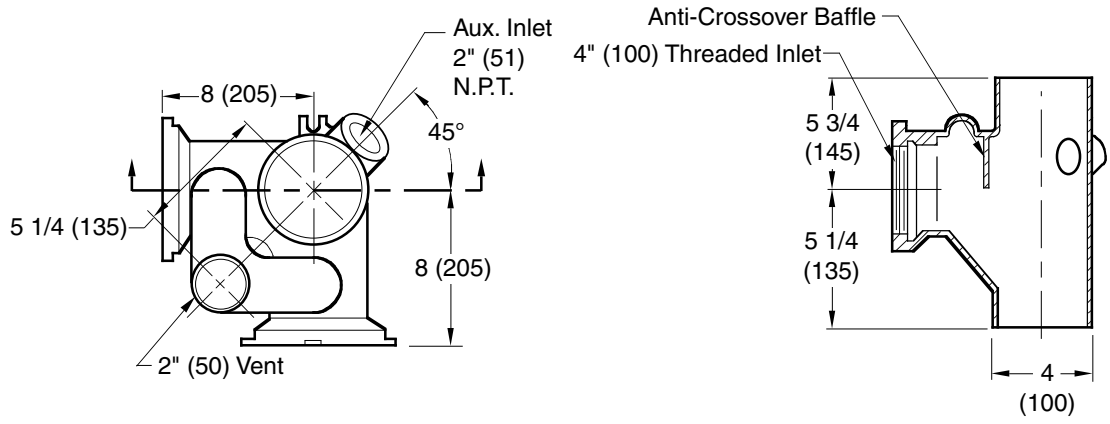


Fig. 0650Y. LESS AUX. INLET CONNECTION
 Fig. 0651Y. WITH 1 1/2" (38) OR 2" (51) N.P.T. AUX. INLET CONNECTION (SPECIFY SIZE)

*Rear anchor supports available. Specify Suffix M51.

NOTE: Dimensions shown in parentheses are in millimeters.

REGULARLY FURNISHED:
 Duco Cast Iron with NO-HUB Connection (2) 4" (100) Threaded Inlets and a 2" (51) Vent.

DRAWING NUMBER: S0650Y
 SIZE: A
 SCALE: NONE
 DATE: 8-26-98
 APPROVED BY: SJM
 CHECKED BY: JM
 DRAWN BY: CMD
 FIGURE NUMBER: 0650Y, 0651Y

WE CAN ASSUME NO RESPONSIBILITY FOR USE OF SUPERSEDED OR VOID DATA
 DIMENSIONS ARE SUBJECT TO MANUFACTURERS TOLERANCE AND CHANGE WITHOUT NOTICE

D	9-1-98	Revised Drawing	CMD	JCS	WEIGHT POUNDS	VOLUME CUBIC FEET	FIGURE NUMBER
REV.	DATE	DESCRIPTION	BY	CKD. BY			0650Y, 0651Y