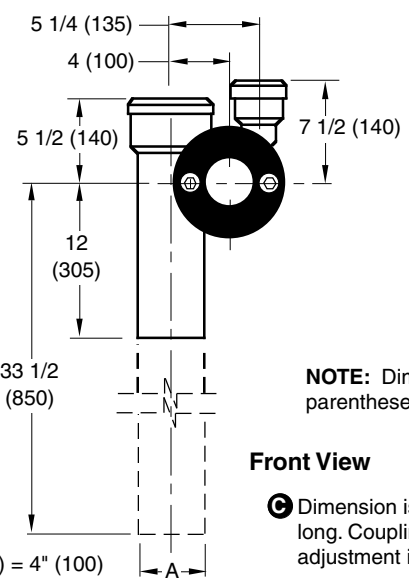


VERTICAL OFFSET WASTE FITTING

FOR USE WITH FLOOR MOUNTED BACK OUTLET CLOSET



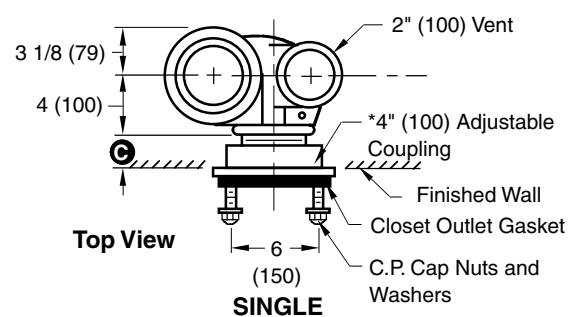
NOTE: Dimensions shown in parentheses are in millimeters.

Front View

Ⓢ Dimension is regularly finished 4" (100) long. Coupling provides 3/4" (19) adjustment in either direction.

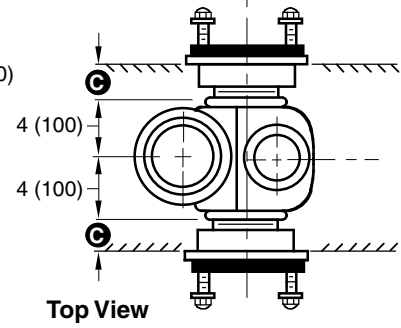
A (Pipe Size) = 4" (100)

- Fig. 0675L ... LEFT HAND
- Fig. 0675R ... RIGHT HAND (SHOWN)
- Fig. 0675D ... DOUBLE
- Fig. 0688L ... LEFT HAND LONG BARREL
- Fig. 0688R ... RIGHT HAND LONG BARREL
- Fig. 0688D ... DOUBLE LONG BARREL



Top View

SINGLE

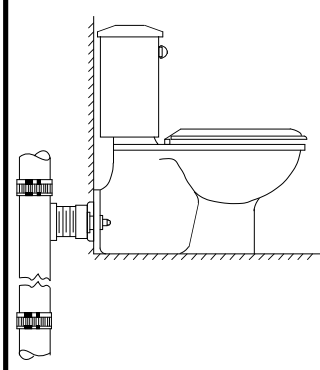


Top View

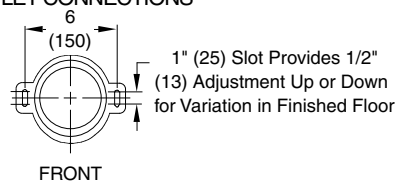
DOUBLE

The water closet gasket regularly furnished is made of molded neoprene and designed to fit water closet outlet dimensions and configurations shown in ANSI Standard A112.19.2M-1982, Figure 13B. If gasket is not found to be compatible to fixture due to nonconformance of said fixture to ANSI A112.19.2M, then fixture manufacturer shall be consulted for a suitable gasket recommendation. Jay R. Smith assumes no liability for connections to fixtures which do not conform to these standards.

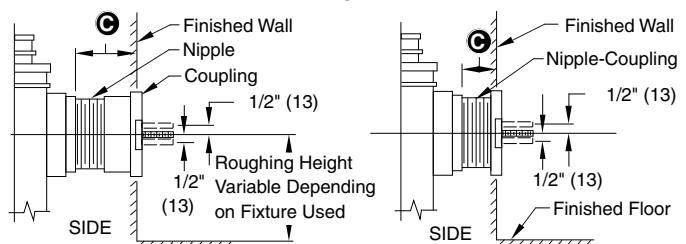
TYPICAL APPLICATION



OUTLET CONNECTIONS



FRONT



REGULARLY FURNISHED

TYPE 2M (When Specified)

NIPPLE LENGTHS AVAILABLE

NIPPLE LENGTH	MIN	Ⓢ MAX
2 1/2 (64)	2 3/4 (70)	3 3/4 (95)
*3 1/4 (83)	3 (76)	4 1/2 (115)
4 1/2 (115)	4 1/4 (110)	5 3/4 (145)
5 1/4 (135)	5 (125)	6 1/2 (165)
6 1/4 (160)	6 (150)	7 1/2 (190)
7 (180)	6 3/4 (170)	8 1/4 (210)
8 1/4 (210)	8 (205)	9 1/2 (240)
10 (255)	9 3/4 (250)	11 1/4 (285)
12 (305)	11 3/4 (300)	13 1/4 (335)
15 (380)	14 3/4 (375)	16 1/4 (415)
18 (455)	17 3/4 (450)	19 1/4 (490)

* Regularly Furnished

DRAWING NUMBER
S0675

SIZE
A

SCALE:
NONE

DATE:
3-13-68

APPROVED BY:
RP

CHECKED BY:
RP

DRAWN BY:
RD

0675 and 0688 SERIES

FIGURE NUMBER

B	4-12-96	Added Millimeters	EMB	
A	9-29-94	Submittal Update	CMB	BS
REV.	DATE	DESCRIPTION	BY	CKD. BY

WEIGHT POUNDS	VOLUME CUBIC FEET
---------------	-------------------

FIGURE NUMBER
0675 and 0688
SERIES

WE CAN ASSUME NO RESPONSIBILITY FOR USE OF SUPERSEDED OR VOID DATA

DIMENSIONS ARE SUBJECT TO MANUFACTURERS TOLERANCE AND CHANGE WITHOUT NOTICE