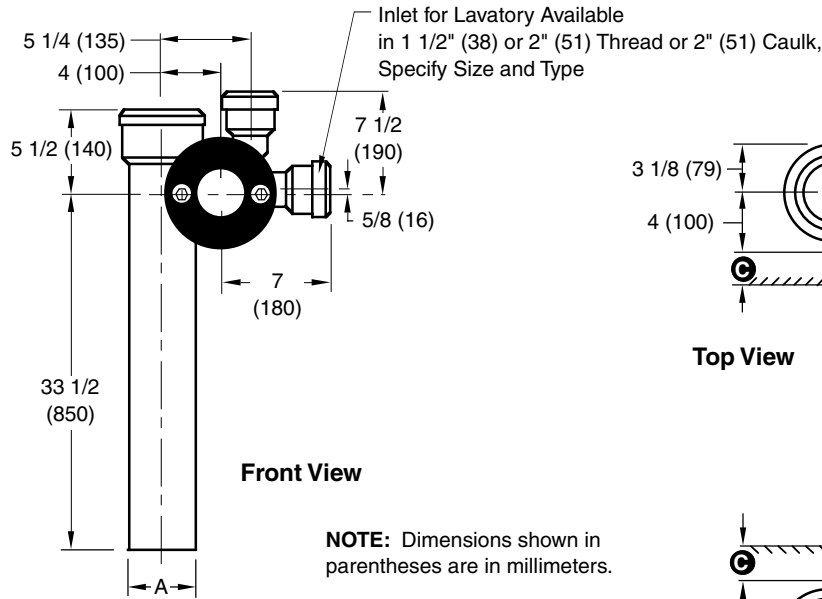


# VERTICAL OFFSET WASTE FITTING WITH SIDE INLET

FOR USE WITH FLOOR MOUNTED BACK OUTLET CLOSET



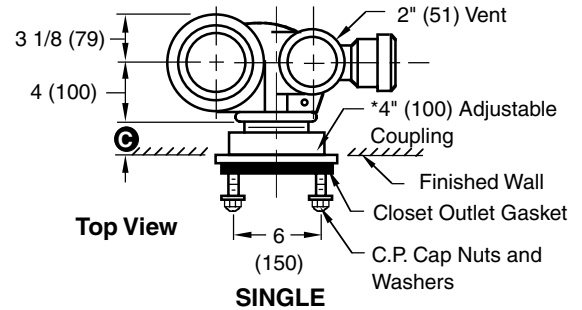
Front View

NOTE: Dimensions shown in parentheses are in millimeters.

A (Pipe Size) = 4" (100)

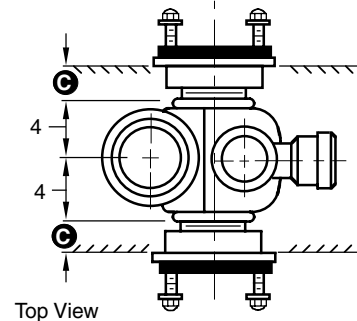
- Fig. 0676L ... LEFT HAND
- Fig. 0676R ... RIGHT HAND (SHOWN)
- Fig. 0676D ... DOUBLE

Ⓢ Dimension is regularly furnished 4" (100) long. Coupling provides 3/4" (19) adjustment in either direction.



Top View

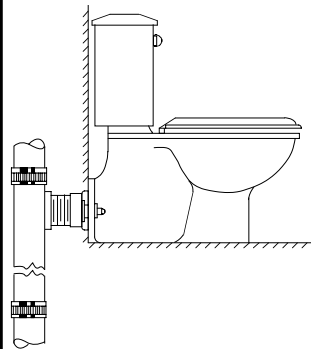
SINGLE



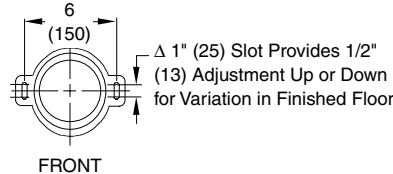
Top View

DOUBLE

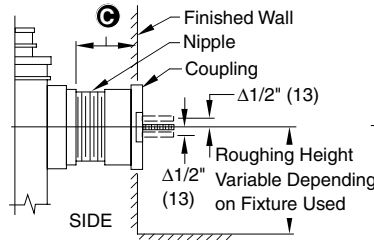
TYPICAL APPLICATION



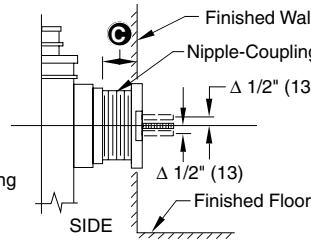
OUTLET CONNECTIONS



FRONT



REGULARLY FURNISHED



TYPE 2M (When Specified)

NIPPLE LENGTHS AVAILABLE

NIPPLE LENGTH	MIN	Ⓢ MAX
2 1/2 (64)	2 3/4 (70)	3 3/4 (95)
*3 1/4 (83)	3 (76)	4 1/2 (115)
4 1/2 (115)	4 1/4 (110)	5 3/4 (145)
5 1/4 (135)	5 (125)	6 1/2 (165)
6 1/4 (160)	6 (150)	7 1/2 (190)
7 (180)	6 3/4 (170)	8 1/4 (210)
8 1/4 (210)	8 (205)	9 1/2 (240)
10 (255)	9 3/4 (250)	11 1/4 (285)
12 (305)	11 3/4 (300)	13 1/4 (335)
15 (380)	14 3/4 (375)	16 1/4 (415)
18 (455)	17 3/4 (450)	19 1/4 (490)

\* Regularly Furnished

DRAWING NUMBER S0676  
 SIZE A  
 SCALE: NONE  
 DATE: 8-5-71  
 APPROVED BY: RP  
 CHECKED BY: RP  
 DRAWN BY: RD  
**0676 SERIES**  
 DIMENSIONS ARE SUBJECT TO MANUFACTURERS TOLERANCE AND CHANGE WITHOUT NOTICE

B	4-11-96	Added Millimeters	EMB	
A	9-29-94	Submittal Update	CMB	BS
REV.	DATE	DESCRIPTION	BY	CKD. BY

WEIGHT POUNDS	VOLUME CUBIC FEET
---------------	-------------------

FIGURE NUMBER  
**0676 SERIES**