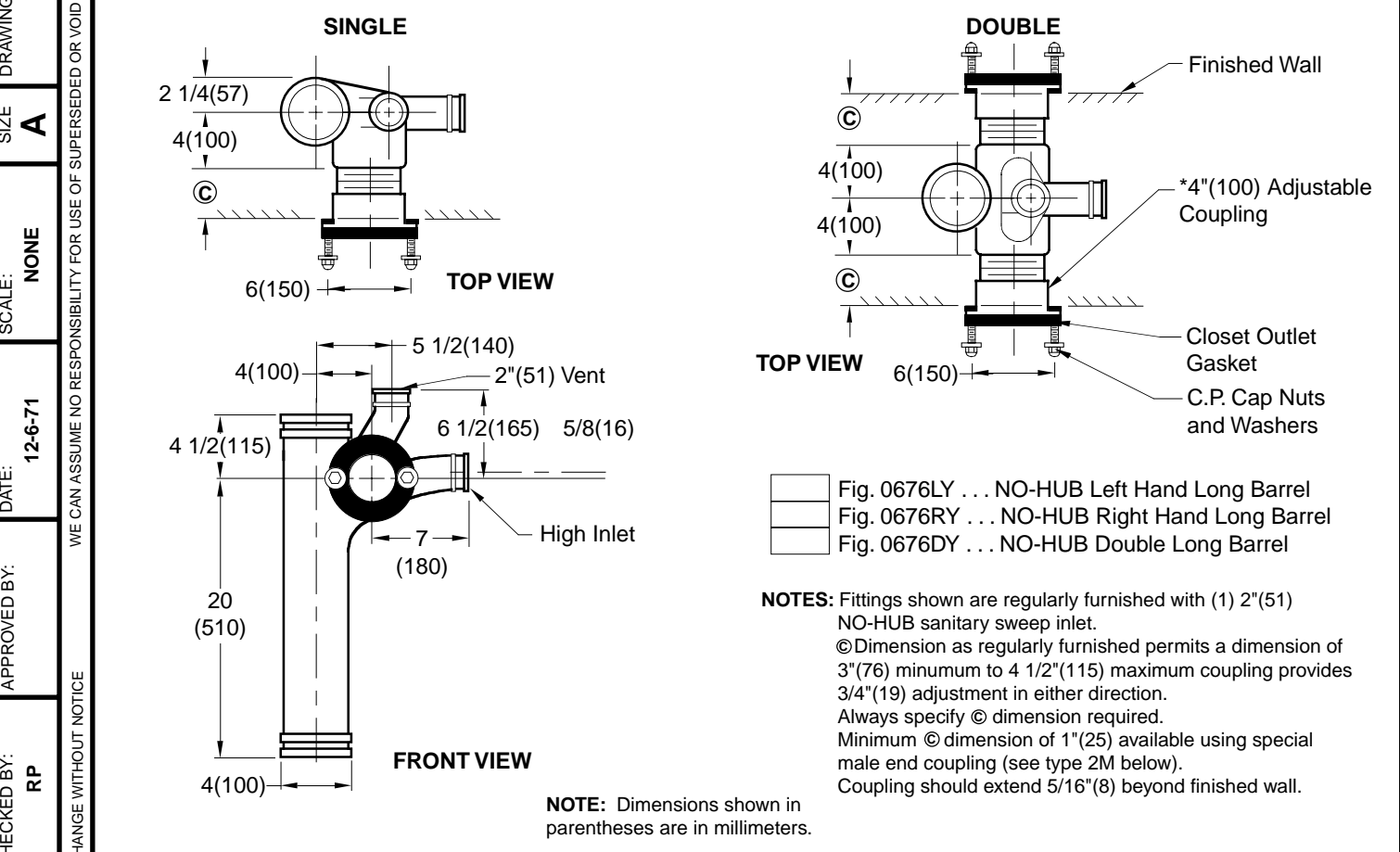
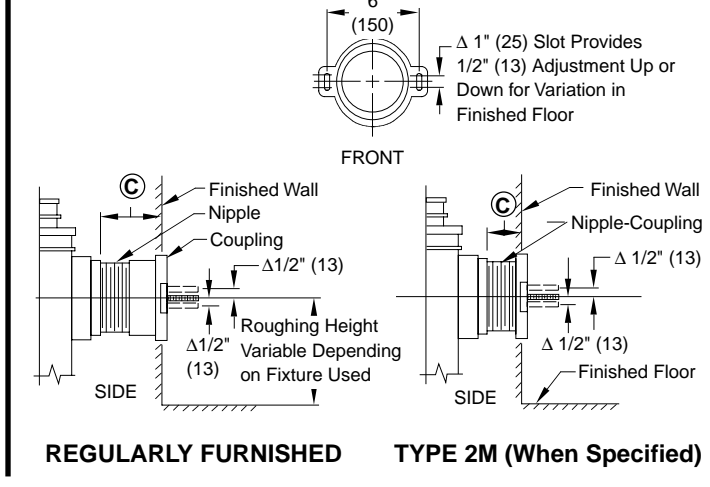
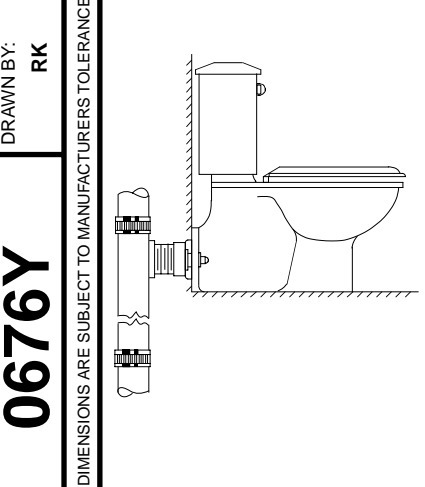


NO-HUB VERTICAL OFFSET WASTE FITTING

FOR USE WITH FLOOR MOUNTED BACK OUTLET WATER CLOSET



NOTE: Dimensions shown in parentheses are in millimeters.



NIPPLE LENGTHS AVAILABLE

NIPPLE LENGTH	MIN	©	MAX
2 1/2 (64)	2 3/4 (70)	3 3/4 (95)	
3 1/4 (83)	3 (76)	4 1/2 (115)	
4 1/2 (115)	4 1/4 (110)	5 3/4 (145)	
5 1/4 (135)	5 (125)	6 1/2 (165)	
6 1/4 (160)	6 (150)	7 1/2 (190)	
7 (180)	6 3/4 (170)	8 1/4 (210)	
8 1/4 (210)	8 (205)	9 1/2 (240)	
10 (255)	9 3/4 (250)	11 1/4 (285)	
12 (305)	11 3/4 (300)	13 1/4 (335)	
15 (380)	14 3/4 (375)	16 1/4 (415)	
18 (455)	17 3/4 (450)	19 1/4 (490)	

* Regularly Furnished

FIGURE NUMBER	F	3-21-97	Added Millimeters Submittal Update	EMB	BS	WEIGHT POUNDS	VOLUME CUBIC FEET	FIGURE NUMBER
	E	11-8-94		EMB	BS			
REV.	DATE	DESCRIPTION	BY	CKD. BY	0676Y			

DRAWING NUMBER: S0676Y
 SIZE: A
 SCALE: NONE
 DATE: 12-6-71
 APPROVED BY: RP
 CHECKED BY: RK
 DRAWN BY: RK
 FIGURE NUMBER: 0676Y
 DIMENSIONS ARE SUBJECT TO MANUFACTURERS TOLERANCE AND CHANGE WITHOUT NOTICE
 WE CAN ASSUME NO RESPONSIBILITY FOR USE OF SUPERSEDED OR VOID DATA