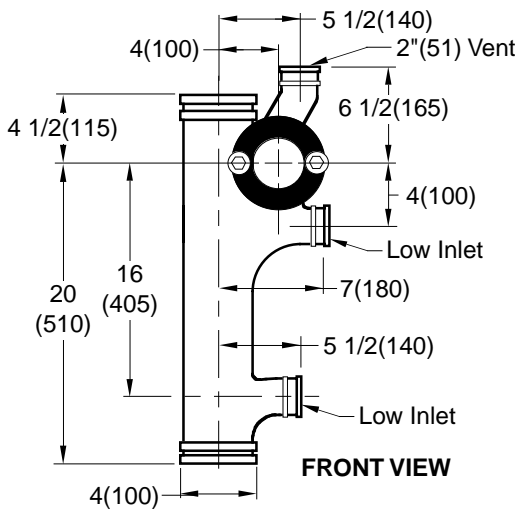
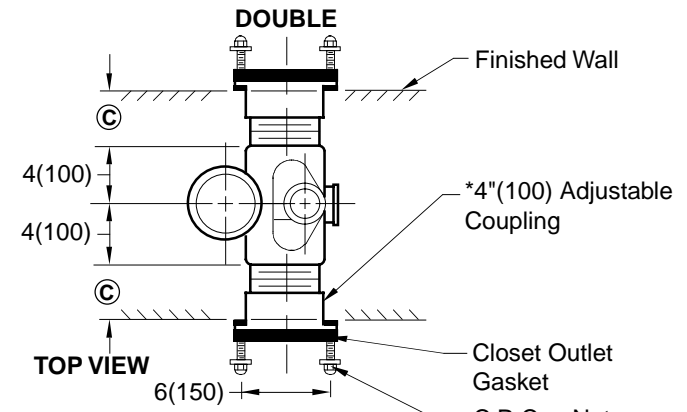
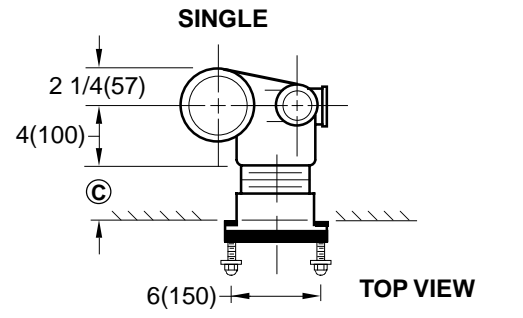
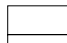
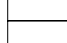
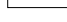


NO-HUB VERTICAL OFFSET WASTE FITTING

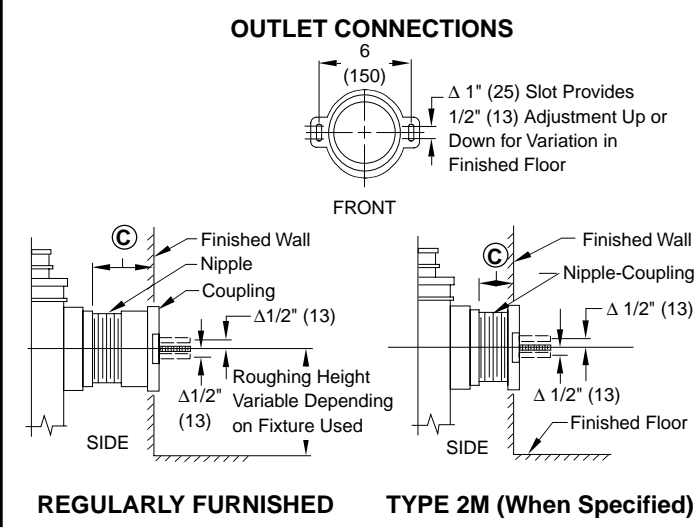
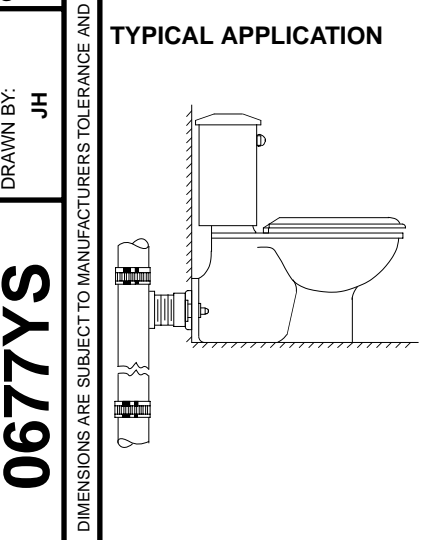
FOR USE WITH FLOOR MOUNTED BACK OUTLET WATER CLOSET



-  Fig. 0677LYS ... NO-HUB Left Hand Long Barrel
-  Fig. 0677RYS ... NO-HUB Right Hand Long Barrel
-  Fig. 0677DYS ... NO-HUB Double Long Barrel

NOTES: Fittings shown are regularly furnished with (2) 2"(51) NO-HUB sanitary sweep inlet.
 © Dimension as regularly furnished permits a dimension of 3"(76) minimum to 4 1/2"(115) maximum coupling provides 3/4"(19) adjustment in either direction. Always specify © dimension required. Minimum © dimension of 1"(25) available using special male end coupling (see type 2M below). Coupling should extend 5/16"(8) beyond finished wall.

NOTE: Dimensions shown in parentheses are in millimeters.



NIPPLE LENGTHS AVAILABLE			
NIPPLE LENGTH	MIN	©	MAX
2 1/2 (64)	2 3/4 (70)		3 3/4 (95)
3 1/4 (83)	3 (76)		4 1/2 (115)
4 1/2 (115)	4 1/4 (110)		5 3/4 (145)
5 1/4 (135)	5 (125)		6 1/2 (165)
6 1/4 (160)	6 (150)		7 1/2 (190)
7 (180)	6 3/4 (170)		8 1/4 (210)
8 1/4 (210)	8 (205)		9 1/2 (240)
10 (255)	9 3/4 (250)		11 1/4 (285)
12 (305)	11 3/4 (300)		13 1/4 (335)
15 (380)	14 3/4 (375)		16 1/4 (415)
18 (455)	17 3/4 (450)		19 1/4 (490)

* Regularly Furnished

FIGURE NUMBER	C	3-7-97	Added Millimeters Update Notes Submittal Update	EMB	BS	WEIGHT POUNDS	VOLUME CUBIC FEET	FIGURE NUMBER
	B	12-1-95		EMB	BS			
0677YS	A	11-8-94		EMB	BS			0677YS
REV.	DATE	DESCRIPTION	BY	CKD. BY				

C
 DRAWING NUMBER S0677YS
 SIZE A
 SCALE: NONE
 DATE: 5-1-74
 APPROVED BY:
 CHECKED BY: RP
 DRAWN BY: JH
 0677YS
 DIMENSIONS ARE SUBJECT TO MANUFACTURERS TOLERANCE AND CHANGE WITHOUT NOTICE
 WE CAN ASSUME NO RESPONSIBILITY FOR USE OF SUPERSEDED OR VOID DATA