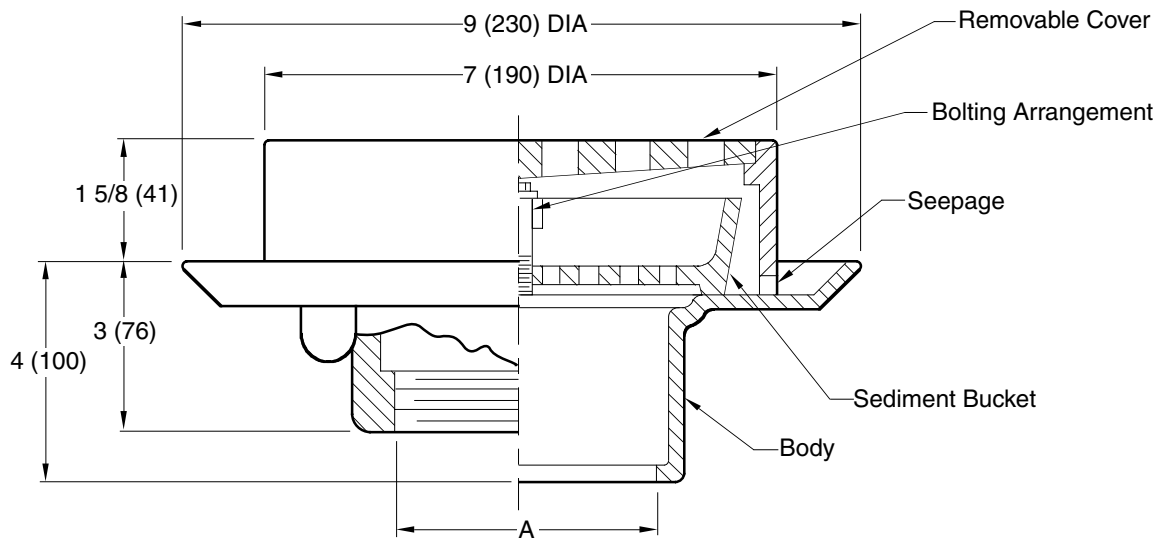


FLOOR DRAIN

FUNCTION: This drain can be used for numerous general purpose applications in all types of buildings. A number of different variations can be accomplished as indicated under "when specified".



A(pipe Size) = 02(50), 03(80) or 04(100)

- Fig. 2109C ... CAULK OUTLET
- Fig. 2109T ... THREADED OUTLET

REGULARLY FURNISHED:
 Duco Cast Iron Body Sediment Bucket and Grate.

- VARIATIONS:**
- Flat Bottom Strainer -FBS
 - Backwater Valve -V
 - Non-Tilting Grate L/Bucket (Specify Fig. 2108)
 - Side Outlet
 - L Speedi-Set Service Weight Outlet
 - LXH Speedi-Set Extra Heavy Outlet
 - Y No-Hub Outlet

- OPTIONAL MATERIALS:**
- All Galvanized -G
 - All Bronze -BB

NOTE: Dimensions shown in parentheses are in millimeters.

DRAWING NUMBER **S2109**
 SIZE **A**
 SCALE: **NONE**
 DATE: **12-9-71**
 APPROVED BY: **BH**
 CHECKED BY: **BH**
 DRAWN BY: **TO**
2109
 FIGURE NUMBER

WE CAN ASSUME NO RESPONSIBILITY FOR USE OF SUPERSEDED OR VOID DATA

| | | | | | | | | |
|------|----------|-----------------|-------------------------|------------|-----------|---------------|-------------------|----------------------|
| | F | 11-09-07 | Added Variations | JJ | CL | WEIGHT | VOLUME | FIGURE NUMBER |
| | E | 10-24-97 | Submittal Update | EMB | BS | POUNDS | CUBIC FEET | 2109 |
| REV. | DATE | DESCRIPTION | | | BY | CKD. BY | | |