

DRAWING NUMBER
S2230, 2235

SIZE
A

SCALE:
NONE

DATE:
5-17-85

APPROVED BY:
TD

CHECKED BY:
TD

DRAWN BY:
PJ

2230, 2235

FIGURE NUMBER

DIMENSIONS ARE SUBJECT TO MANUFACTURERS TOLERANCE AND CHANGE WITHOUT NOTICE WE CAN ASSUME NO RESPONSIBILITY FOR USE OF SUPERSEDED OR VOID DATA

FLOOR DRAINS

WITH 12" (305) ROUND TOPS AND SEDIMENT BUCKETS

MEDIUM DUTY DRAINS - "SAFE-SET" BUCKET

FUNCTION: For general use where water contains solids or debris that must be intercepted. Large top is used where high flows are anticipated. "Safe-Set" design insures bucket replacement after cleaning since top grate cannot be inserted unless bucket is in place.

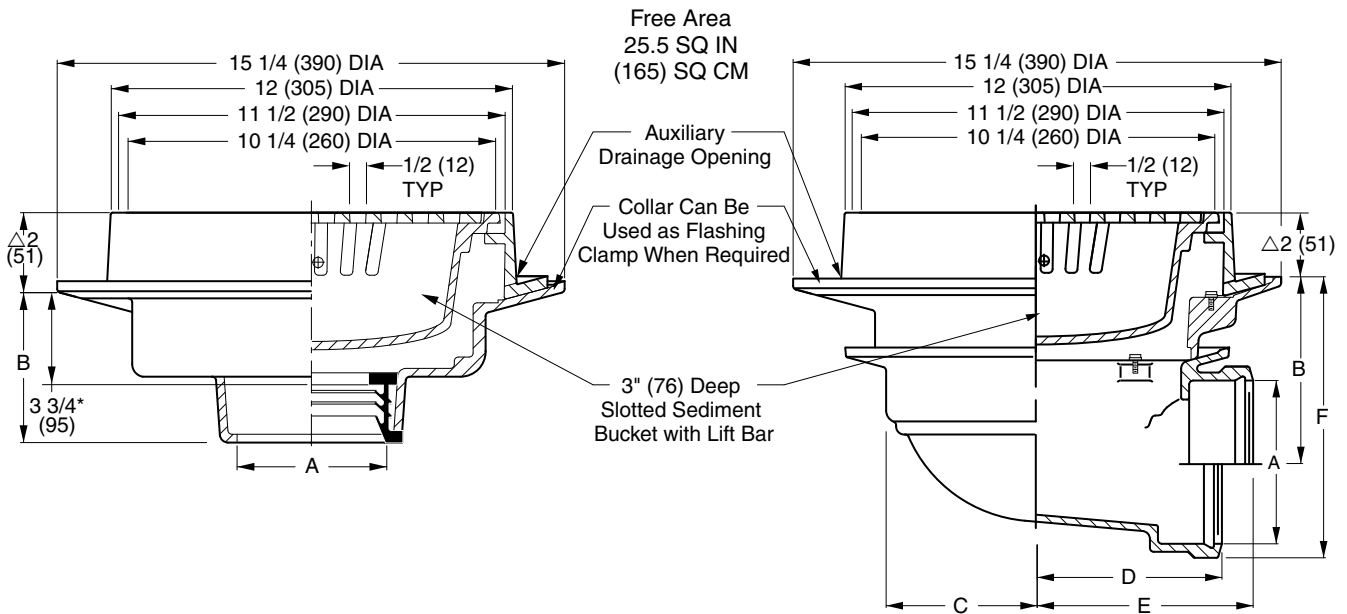


Fig. 2230C.....CAULK OUTLET
 Fig. 2230Y.....NO-HUB OUTLET

Fig. 2235C.....CAULK OUTLET
 Fig. 2235T.....THREADED OUTLET

A Size	B	
	Caulk, NO-HUB & Speedi-Set	Threaded
02(50),03(75)04(100) 05(125) & 06(150)	5 (125)	3 3/4 (95)

A SIZE	02(50)	03(75)	04(100)	05(125)	06(150)
B	6 7/8(175)	6 3/8(162)	5 7/8(149)	5(125)	4 1/2(115)
C	4 3/4(120)	4 3/4(120)	4 3/4(120)	6 1/4(160)	6 1/4(160)
D	6(150)	6(150)	6(150)	6 5/8(168)	6 7/8(175)
E	7 1/4(185)	7 1/2(190)	7 3/4(195)	7 3/4(195)	7 3/4(195)
F	8 5/8(219)	8 3/4(220)	8 3/4(220)	8 1/2(215)	8 1/2(215)

REGULARLY FURNISHED:

Duco Cast Iron Body and Flashing Collar with Cast Iron ADA Grate and Slotted Sediment Bucket.

* This Dimension to Internal Stop of Speedi-Set Gasket.

△Add 5/16" (8) when bronze top is specified.

△Add 7/8" (22) when hinged cast iron top is specified.

• Hinged grate not available in safe-set design. Full grate is provided with a suspended bucket.

VARIATIONS:

- Hinged Grate -H
- L Speedi-Set Service Weight 2(50), 3(75) & 4"(100) sizes only (Fig. 2230 only)
- LXH Speedi-Set Extra Heavy 2(50), 3(75) & 4"(100) sizes only (Fig. 2230 only)
- NO-HUB Adaptor (Specify Fig. 2646Y) (Fig. 2235 only)
- Solid Free Standing Bucket -B
- Square Top -S
- Trap Primer Connection -P050 1/2" (13) & -P075 3/4" (19) (Fig. 2230 only)
- Vandal Proof Grate -U
- Wide Deck Flange Drain (Specify Fig. DX2566)
- T Threaded Outlet

OPTIONAL MATERIALS:

- Galvanized Cast Iron -G
- Nickel Bronze -NB
- Polished Bronze -PB

NOTE: Dimensions shown in parentheses are in millimeters.

NOTE: 02(50), 03(75) & 04" (100) sizes require a transition collar (as shown in above illustration) which fits between the body & collar. 05 (125) & 06 (150) sizes do not require transition collar.

REV.	DATE	DESCRIPTION	BY	CKD.	WEIGHT POUNDS	VOLUME CUBIC FEET	FIGURE NUMBER
N	8-27-10	Corrected Symbols & Dims.	RN	CL			2230, 2235
M	04/22/10	Corrected Symbols & Dims.	JJ	TK			
L	10/09/09	Added ADA Grate-opening Dim.	JJ	TK			
K	4-1-99	Submittal Redraw Vellum	CMD	CL			