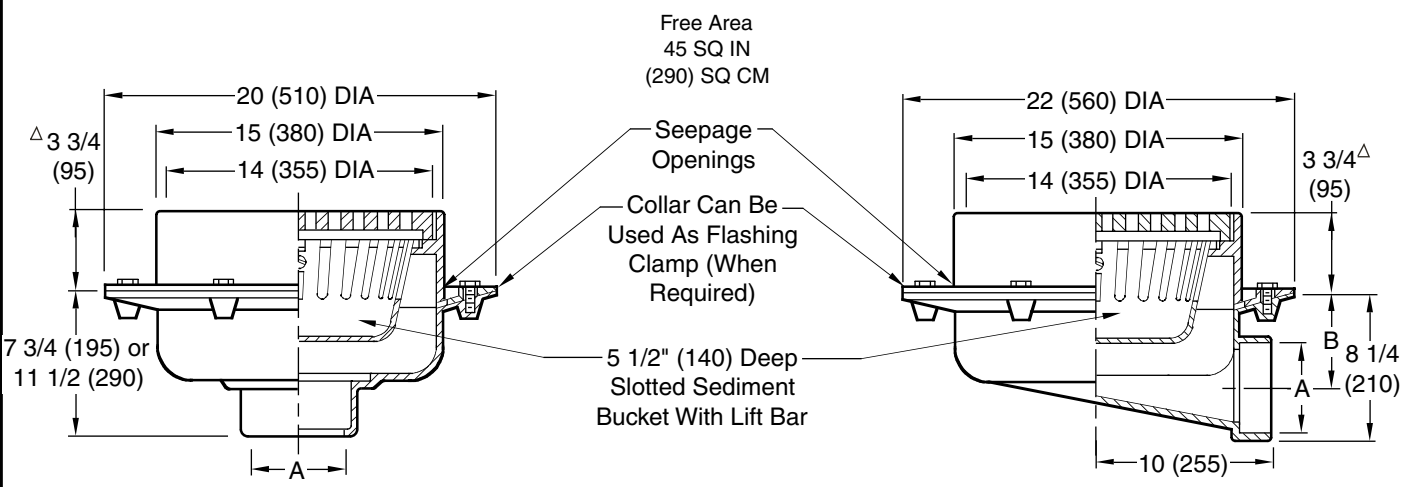


# FLOOR DRAINS

## LARGE CAPACITY HEAVY DUTY DRAINS - SEDIMENT BUCKET

**FUNCTION:** For use in areas where heavy traffic occurs and water contains sediment and debris that must be intercepted. Large free area of top grate and deep sump handles large volume of water. Particularly suited for parking areas and playgrounds.



- Fig. 2250C ... 7 3/4" (195) DEEP BODY
  - Fig. 2250Y ... 7 3/4" (195) DEEP BODY
  - Fig. 2253C ... 11 1/2" (290) DEEP BODY
- A (Pipe Size) = 04(100), 05(125), 06(150) or 08(200)

Fig. 2255C ... CAULK OUTLET ONLY

| A SIZE | 03 (80)     | 04 (100)    | 05 (125)    | 06 (150)    |
|--------|-------------|-------------|-------------|-------------|
| B      | 5 7/8 (149) | 5 3/8 (136) | 4 7/8 (124) | 4 3/8 (111) |

- △ add 1/4" (6) when bronze top is specified.
- \* When 2" (51) high collar is used suspended bucket is not available.
- ▲ Not available with 8" (205) outlet.

**NOTE:** Dimensions shown in parentheses are in millimeters.

**REGULARLY FURNISHED:**

Duco Cast Iron Body and Flashing Collar with Cast Iron ADA Tractor Grate and Slotted Sediment Bucket.

**VARIATIONS:**

- Dome Grate -D
- 2" (51) High Collar -HC
- Square Top -S
- Vandal Proof Grate -U
- \*  L Speedi-Set Service Weight (03 (75) & 04 (100) Sizes Only) (Fig. 2250 only)
- LXH Speedi-Set Extra Heavy (03 (75) & 04 (100) Sizes Only) (Fig. 2250 only)

**OPTIONAL MATERIALS:**

- Ductile Iron Grate -M
- Galvanized Cast Iron -G
- Nickel Bronze Top -NB
- Polished Bronze Top -PB

G  
 DRAWING NUMBER S2250  
 SIZE A  
 SCALE: NONE  
 DATE: 5-17-85  
 APPROVED BY: TD  
 CHECKED BY: TD  
 DRAWN BY: PJ  
 FIGURE NUMBER 2250, 2253, 2255

WE CAN ASSUME NO RESPONSIBILITY FOR USE OF SUPERSEDED OR VOID DATA

DIMENSIONS ARE SUBJECT TO MANUFACTURERS TOLERANCE AND CHANGE WITHOUT NOTICE

| REV. | DATE     | DESCRIPTION        | BY  | CKD. BY | WEIGHT POUNDS | VOLUME CUBIC FEET | FIGURE NUMBER    |
|------|----------|--------------------|-----|---------|---------------|-------------------|------------------|
|      | 11-18-10 | Added ADA to Grate | JJ  | CL      |               |                   | 2250, 2253, 2255 |
|      | 11-09-07 | Added Variations   | JJ  | CL      |               |                   |                  |
|      | 9-18-95  | Added Note         | TBW | JCS     |               |                   |                  |