

DRAWING NUMBER
SS2405

A

SCALE: SIZE
NONE

DATE: 10-3-88

TD

DRAWN BY: CHECKED BY: APPROVED BY:
BS

KH

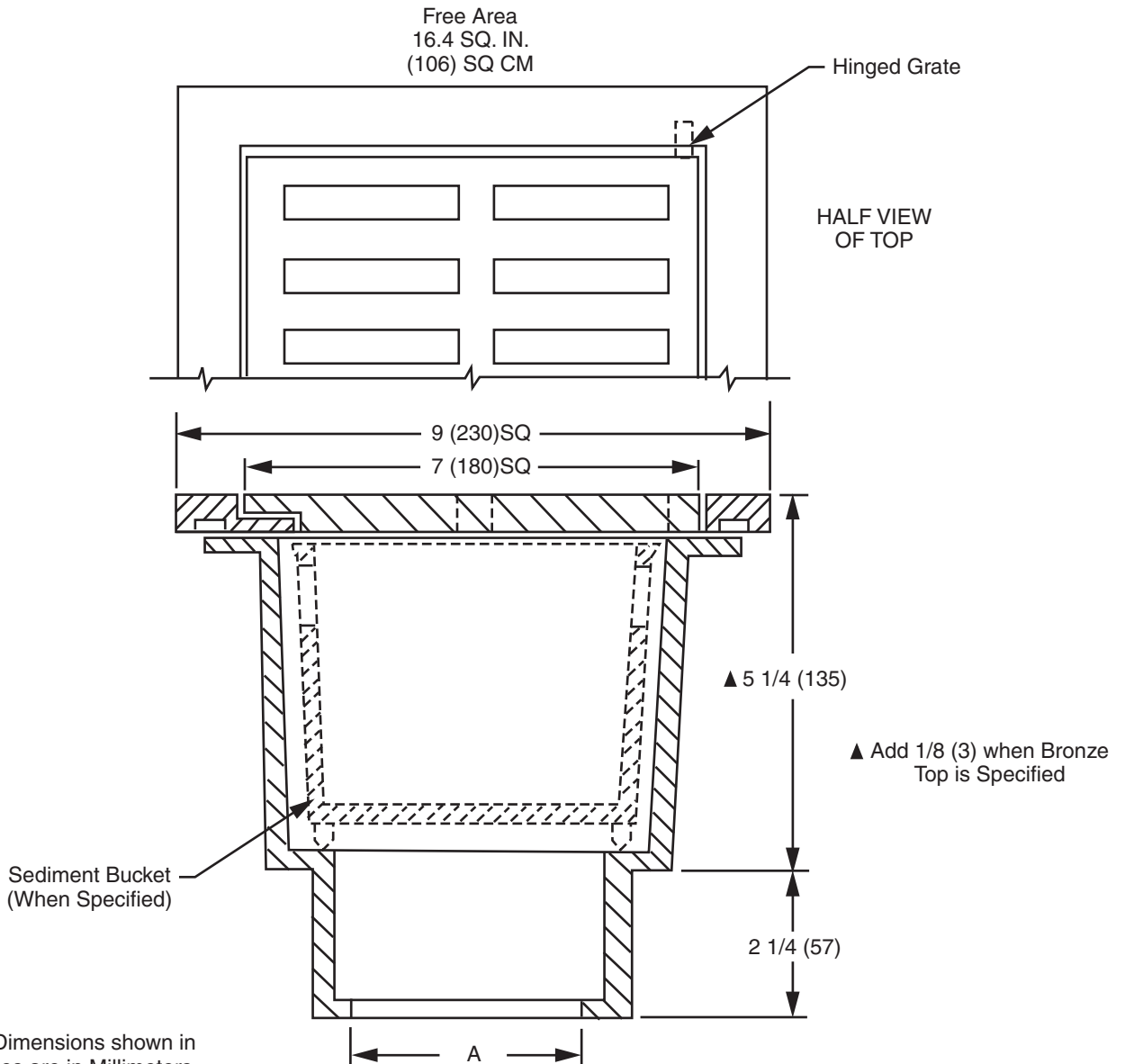
2405

WE CAN ASSUME NO RESPONSIBILITY FOR USE OF SUPERSEDED OR VOID DATA

DIMENSIONS ARE SUBJECT TO MANUFACTURERS TOLERANCE AND CHANGE WITHOUT NOTICE

FLOOR AND AREA DRAIN

FUNCTION: Cast Iron Floor Drain with Square Top and Medium Duty Square Gate.



NOTE: Dimensions shown in parentheses are in Millimeters.

A (Pipe Size) = 03 (75) or 04 (100)

Fig. 2405C.....Caulk Outlet

REGULARLY FURNISHED:
 Duco Cast Iron Body with Flashing Collar and Hinged Gate.

VARIATIONS:

- Vandal Proof Gate - U
- Sediment Bucket - B
- Loose Set Gate - LSG

OPTIONAL MATERIALS:

- Galvanized Cast Iron - G
- Polished Bronze Top - PB
- Nickel Bronze Top - NB
- Ductile Iron Gate -M

REV. DATE DESCRIPTION BY CKD. BY

WEIGHT POUNDS

VOLUME CUBIC FEET

FIGURE NUMBER

2405