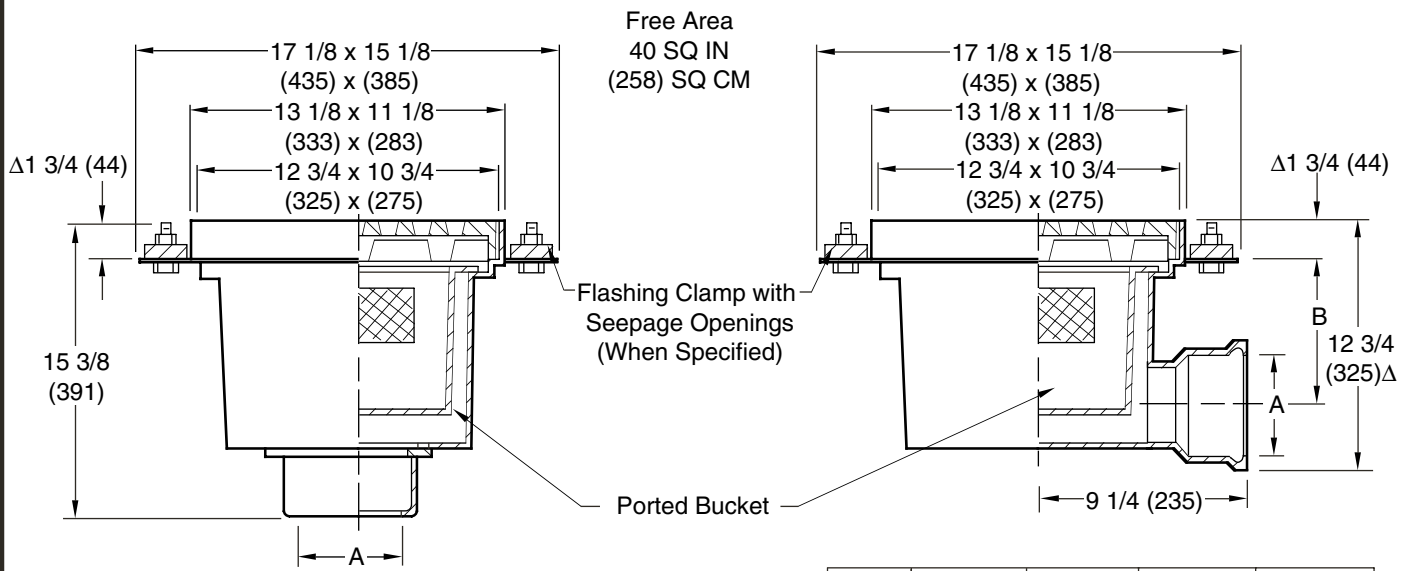


# TRAFFIC FLOOR DRAINS

## LARGE CAPACITY SEDIMENT BUCKET

**FUNCTION:** Used in heavy traffic areas in industrial plants and boiler rooms. Solid bottom suspended sediment bucket collects debris such as sand, grit and other solids. Large top and deep body will handle large flow of water.



A (Pipe Size) = 03(80), 04(100), 05(125), or 06(150)

A SIZE	03 (80)	04 (100)	05 (125)	06 (150)
B	8 1/4 (210)	7 3/4(195)	7 1/4 (185)	6 3/4 (170)

- Fig. 2450C . . . CAULK OUTLET
- Fig. 2450Y . . . NO-HUB OUTLET

FIG 2455C . . . CAULK OUTLET

Δ add 1/16" (2) when bronze top is specified.

**REGULARLY FURNISHED:**

Fabricated Steel Body with Galvanized Coating Inside and Outside and Cast Iron Grate and Stainless Steel Ported Bucket, with Mesh Screen and Lift Bar.

**VARIATIONS:**

- Flashing Clamp -C
- Flat Bottom Strainer -FBS (Fig. 2450 only)
- NO-HUB Adaptor (Specify Fig. 2646Y) (Fig. 2455 only)
- Stainless Steel Perforated Bucket -SSB
- T Threaded Outlet

**OPTIONAL MATERIALS:**

- Ductile Iron Grate -M
- Nickel Bronze Top -NB
- Polished Bronze Top -PB

**NOTE:** Dimensions shown in parentheses are in millimeters.

**FIGURE NUMBER 2450, 2455**

DRAWING NUMBER S2450  
 SCALE: NONE  
 DATE: 5-17-85  
 APPROVED BY: TD  
 CHECKED BY: TD  
 DRAWN BY: PJ  
 DIMENSIONS ARE SUBJECT TO MANUFACTURERS TOLERANCE AND CHANGE WITHOUT NOTICE  
 WE CAN ASSUME NO RESPONSIBILITY FOR USE OF SUPERSEDED OR VOID DATA

REV.	DATE	DESCRIPTION	BY	CKD. BY	WEIGHT POUNDS	VOLUME CUBIC FEET	FIGURE NUMBER
F	7-19-96	Chg'd Reg Furn	EMB	CL			<b>2450, 2455</b>
E	10-23-95	Chg'd Reg Furn	EMB	BS			
D	6-15-95	Added Millimeters	EMB	BS			
	10-6-93	Submittal Update	EMB	BS			
C							