

C



JAY R. SMITH MFG. CO.
 DIVISION OF SMITH INDUSTRIES, INC.
 POST OFFICE BOX 3237
 MONTGOMERY, ALABAMA 36109-0237 (USA)
 TEL: 334-277-8520 FAX: 334-272-7396 www.jrsmith.com



MEMBER OF:

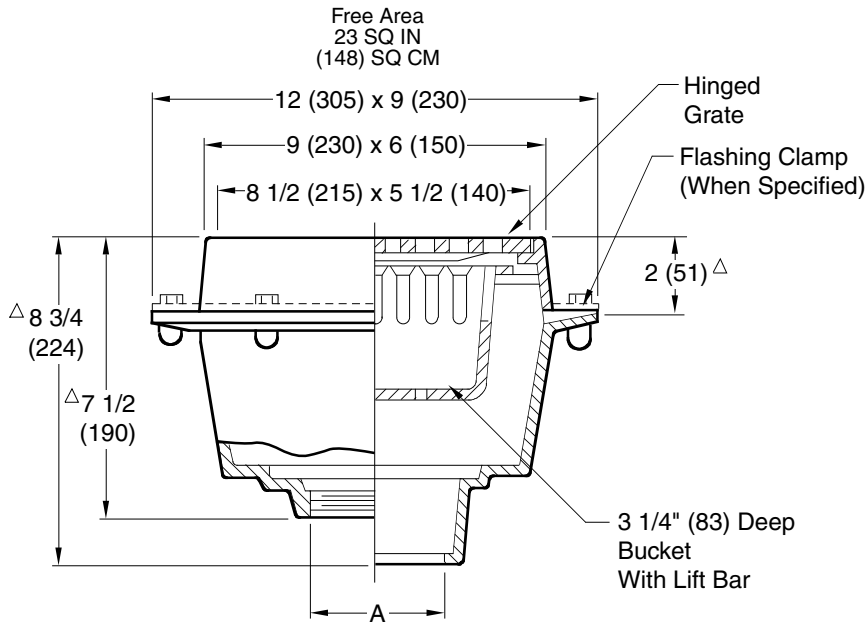


LOCATION

SPECIAL PURPOSE DRAINS

FLOOR DRAIN WITH HINGED GRATE AND SEDIMENT BUCKET

FUNCTION: Used in gutters and trenches where a sediment bucket is required. Hinged medium duty grate permits easy access to bucket for removal and cleaning.



A (Pipe Size) = 02(80), 03(80) or 04(100)

Fig. 2589C . . . CAULK OUTLET
 Fig. 2589T. . . THREADED OUTLET

Δadd 1/8"(3) when bronze top is specified.

NOTE: Dimensions shown in parentheses are in millimeters.

REGULARLY FURNISHED:
 Duco Cast Iron Body with Hinged Grate and Sediment Bucket.

VARIATIONS:
 Flashing Clamp -C
 NO-HUB Adaptor (Specify Fig. 2646Y)
 Vandal Proof Grate -U

OPTIONAL MATERIALS:
 Galvanized Cast Iron -G
 Nickel Bronze Top -NB
 Polished Bronze Top -PB

DRAWING NUMBER
S2589

SIZE
A

SCALE:
NONE

DATE:
5-17-85

APPROVED BY:
TD

CHECKED BY:
TD

DRAWN BY:
PJ

2589

WE CAN ASSUME NO RESPONSIBILITY FOR USE OF SUPERSEDED OR VOID DATA

DIMENSIONS ARE SUBJECT TO MANUFACTURERS TOLERANCE AND CHANGE WITHOUT NOTICE

REV.	DATE	DESCRIPTION	BY	CKD. BY
	4-14-97	Added Millimeters	EMB	BS
	7-5-94	Revised	CMB	BS
	11-11-93	Submittal Update	EMB	BS

WEIGHT POUNDS	VOLUME CUBIC FEET

FIGURE NUMBER 2589
