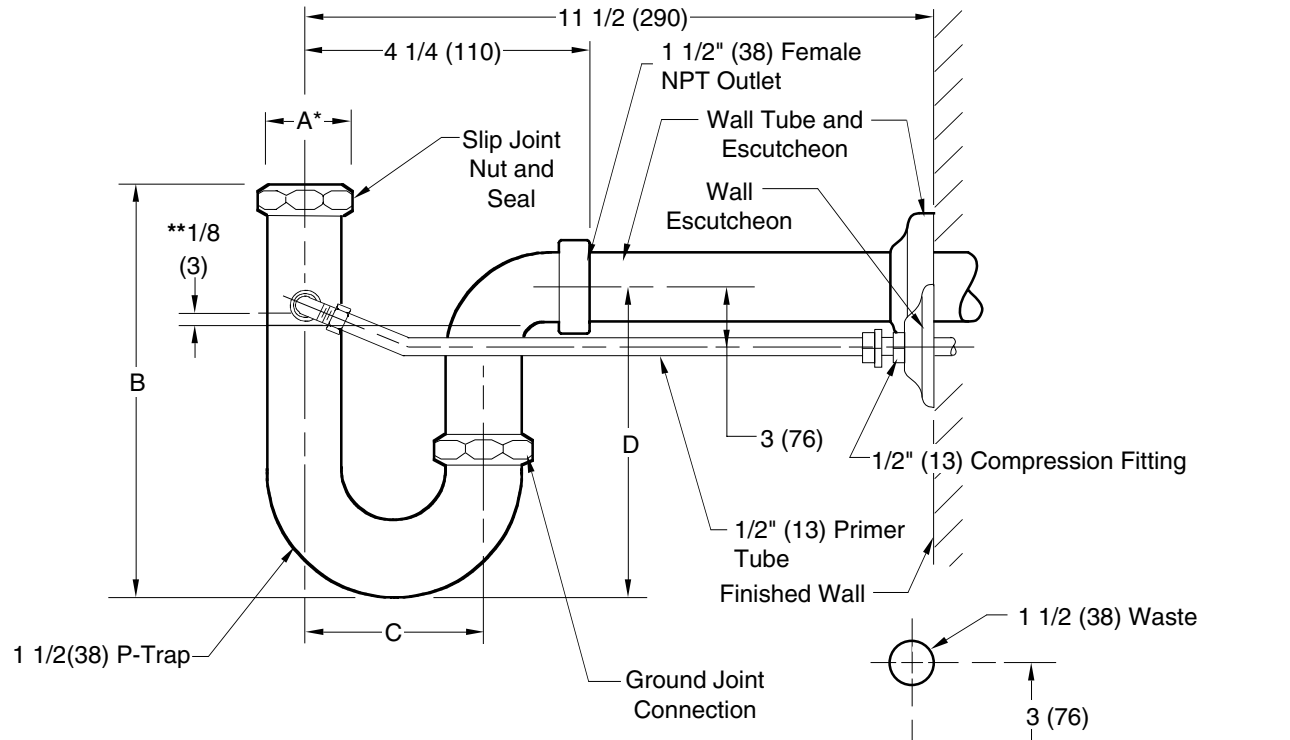


# PRIME-EZE WATER SAVER TRAP PRIMER

**FUNCTION:** The water saver trap primer utilizes the temporary "head" of water in the p-trap which occurs during use of certain plumbing fixtures like lavatories and drinking fountains. This temporary head of water is sufficient to cause an "overflow" through the connection to allow a small amount of water to flow by gravity through a pipe under the floor to the floor drain trap primer connection. Thus, the floor drain trap seal is maintained.



\*1 1/4 (32) and 1 1/2 (38) Slip Joint Nuts are Provided to Accommodate the Appropriate Fixture Tailpiece. Ground Joint Elbow is Threaded 1 1/2 (38) N.P.T.

**\*\*NOTE:** Invert of connection located 1/8" (3) above static water level enabling "overflow" into primer tube when temporary head of water is created.

**RECOMMENDED ROUGH-IN**

A (INLET SIZE)	B	C	D
0125 (32) or 0150 (38)	6 (150)	2 7/8 (73)	5 (125)

**REGULARLY FURNISHED:**

Satin Chrome Plated Cast Bronze P-trap with Ground Joint Connection and Escutcheons, 1/2" (13) Primer Tube with Compression Fitting Connection at Wall.

**OPTIONAL MATERIALS:**

Polished Chrome Plated Cast Bronze P-Trap -CP

**NOTE:** Dimensions shown in parenthesis are in millimeters.



STD. 1044



File No 3253

U.S. PATENT  
4,218,786

CANADIAN PATENT  
1,139,184

DRAWING NUMBER S2698  
 SIZE A  
 SCALE: NONE  
 DATE: 6-26-91  
 APPROVED BY:  
 CHECKED BY: WH  
 DRAWN BY: PJ  
 2698  
 FIGURE NUMBER

WE CAN ASSUME NO RESPONSIBILITY FOR USE OF SUPERSEDED OR VOID DATA  
 DIMENSIONS ARE SUBJECT TO MANUFACTURERS TOLERANCE AND CHANGE WITHOUT NOTICE

REV.	DATE	DESCRIPTION	BY	CKD. BY	WEIGHT POUNDS	VOLUME CUBIC FEET	FIGURE NUMBER
U	9/20/06	Revised DWG & ASSE STD	RN	CL			2698
T	1-26-99	Revised	TBW	BS			
S	12-8-95	Chg'd Reg Furn	EMB	BS			
R	4-10-95	Added Millimeters	EMB	BS			

E



**JAY R. SMITH MFG. CO.®**  
 DIVISION OF SMITH INDUSTRIES, INC.  
 POST OFFICE BOX 3237  
 MONTGOMERY, ALABAMA 36109-0237 (USA)  
 TEL: 334-277-8520 FAX: 334-272-7396 www.jrsmith.com



MEMBER OF:

LOCATION

# PRIME-EZE WATER SAVER TRAP PRIMER

DRAWING NUMBER  
S2698 BS

SIZE  
A

SCALE:  
NONE

DATE:  
7-2-91

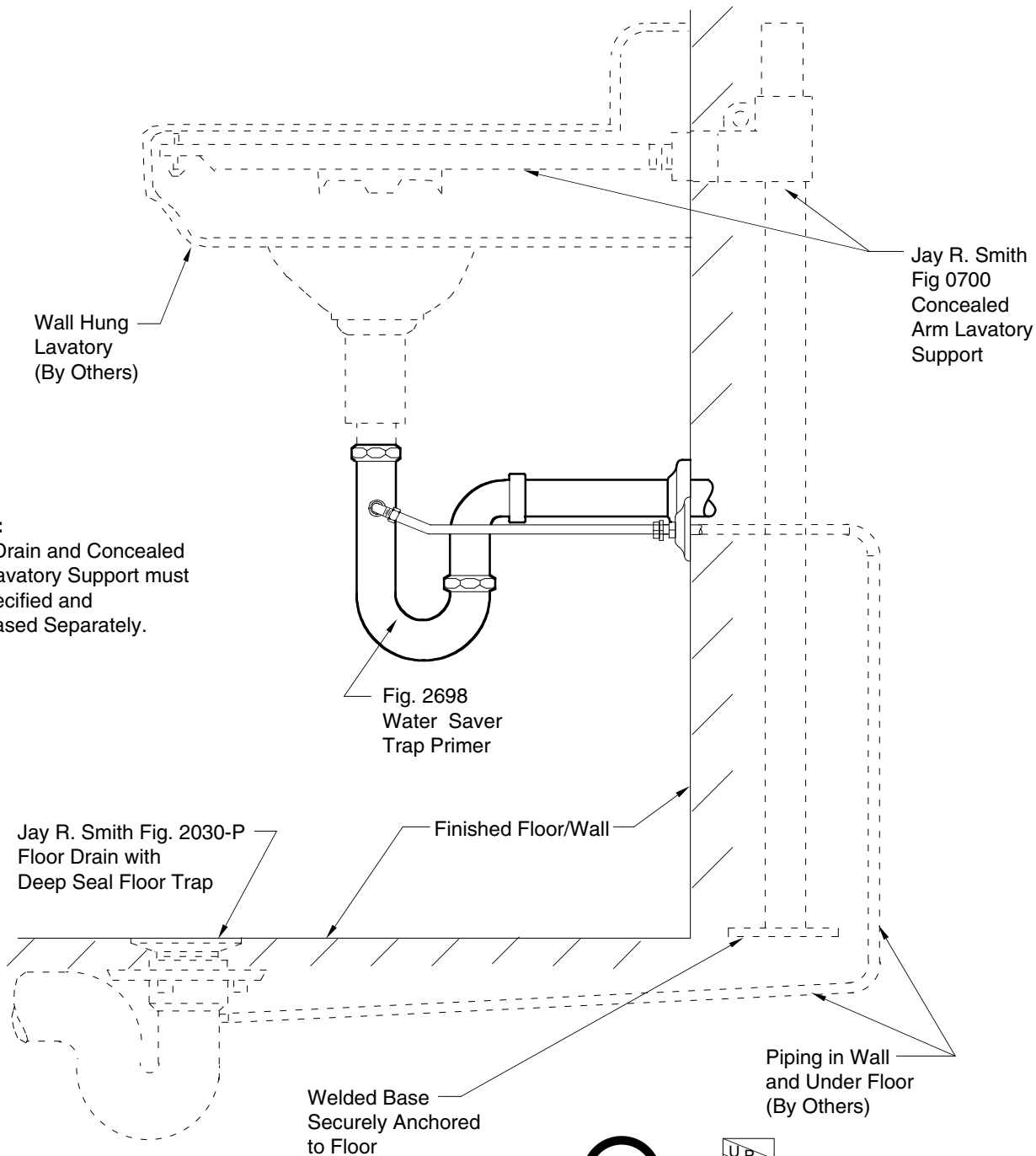
APPROVED BY:

CHECKED BY:

DRAWN BY:  
EMB

WE CAN ASSUME NO RESPONSIBILITY FOR USE OF SUPERSEDED OR VOID DATA

DIMENSIONS ARE SUBJECT TO MANUFACTURERS TOLERANCE AND CHANGE WITHOUT NOTICE



**NOTE:**  
 Floor Drain and Concealed Arm Lavatory Support must be Specified and Purchased Separately.

# 2698 BS



STD. 1044



File No  
3253

E	9/20/06	Revised DWG & ASSE STD	RN	CL
D	4-11-95	Chg'd Dwg	EMB	BS
C	6-21-94	Chg'd Dwg	EMB	JCS
B	11-19-93	Submittal Update	EMB	BS
REV.	DATE	DESCRIPTION	BY	CKD. BY

WEIGHT  
POUNDS

VOLUME  
CUBIC FEET

FIGURE NUMBER

# 2698 BS