



**JAY R. SMITH MFG. CO.**  
 DIVISION OF SMITH INDUSTRIES, INC.  
 POST OFFICE BOX 3237  
 MONTGOMERY, ALABAMA 36109-0237 (USA)  
 TEL: 334-277-8520 FAX: 334-272-7396

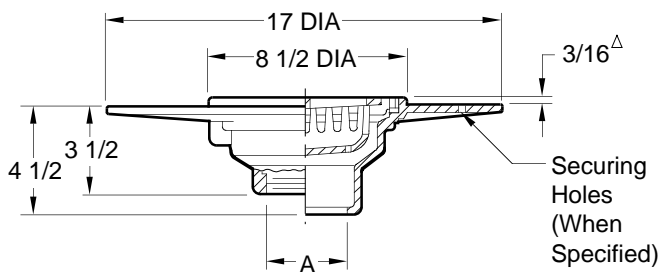


LOCATION

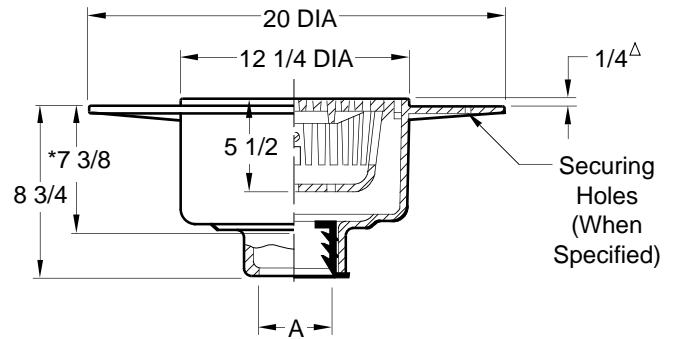
# FLOOR DRAINS

## WIDE FLANGE BODIES WITH "SAFE-SET" BUCKET

**FUNCTION:** Used in areas where waste water contains solids or debris that must be prevented from entering drainage system. Wide flange allows adhesion of waterproof traffic deck covering, insuring watertight integrity. "Safe-Set" designs insures bucket replacement after cleaning. DX2565 is used for general light duty areas and the DX2566 is provided with large top to accommodate anticipated high flows.



A (Pipe Size) = 02, 03 or 04



A (Pipe Size) = 02, 03, 04, 05 or 06

- Fig. DX2565C . . . CAULK OUTLET
- Fig. DX2565T . . . THREADED OUTLET

- Fig. DX2566C . . . CAULK OUTLET
- Fig. DX2566Y . . . NO-HUB OUTLET

Δadd 3/16" when bronze top is specified.  
 \*This dimension to internal stop of Speedi-Set gasket.

**REGULARLY FURNISHED:**

Duco Cast Iron 4" Wide Flange Body with Bucket and Grate.

**VARIATIONS:**

- L Speedi-Set Service Weight (2, 3 & 4" sizes only) (Fig. DX2566 Only)
- LXH Speedi-Set Extra Heavy (2, 3 & 4" sizes only) (Fig. DX2566 Only)
- Membrane Clamp (Specify Fig. DX2565R)
- NO-HUB Adaptor (Specify Fig. 2646Y) (Fig. DX2565 only)
- Securing Holes -SH
- Vandal Proof Grate -U
- Y NO-HUB Outlet
- T Threaded Outlet

**OPTIONAL MATERIALS:**

- Galvanized Cast Iron -G
- Nickel Bronze Top -NB
- Polished Bronze Top -PB

DRAWING NUMBER  
SDX2565

SIZE  
A

SCALE:  
NONE

DATE:  
5-17-85

APPROVED BY:  
TD

CHECKED BY:  
TD

DRAWN BY:  
PJ

FIGURE NUMBER  
DX2565, DX2566

WE CAN ASSUME NO RESPONSIBILITY FOR USE OF SUPERSEDED OR VOID DATA

DIMENSIONS ARE SUBJECT TO MANUFACTURERS TOLERANCE AND CHANGE WITHOUT NOTICE

REV.	DATE	DESCRIPTION	BY	CKD. BY	WEIGHT POUNDS	VOLUME CUBIC FEET	FIGURE NUMBER <b>DX2565, DX2566</b>
C B A	7-1-94 11-09-93 11-21-85	Revised Submittal Update Added to Variations	CMB EMB CM	BS SJM			