

K



JAY R. SMITH MFG. CO.®
 DIVISION OF SMITH INDUSTRIES, INC.
 POST OFFICE BOX 3237
 MONTGOMERY, ALABAMA 36109-0237 (USA)
 TEL: 334-277-8520 FAX: 334-272-7396 www.jrsmith.com



MEMBER OF:

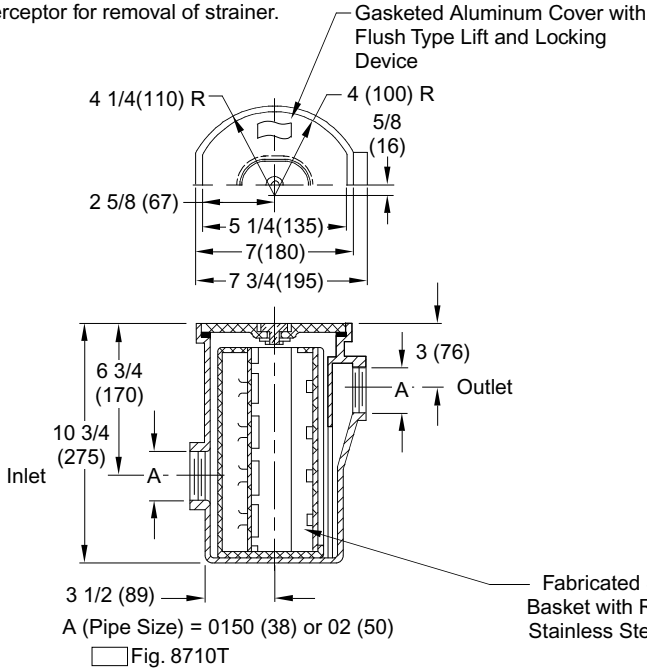
LOCATION

SOLIDS INTERCEPTORS

FLUSH WITH FLOOR OR ON THE FLOOR TYPES

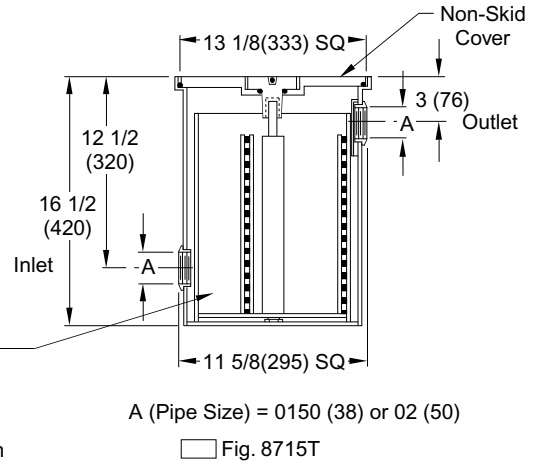
FUNCTION: Provides a means of collecting solids such as metal chips, plaster and stones before entering the drain line preventing line stoppage. The Fig. 8710 small capacity interceptor is ideal for dental offices or similar establishments where the unit can be mounted directly under the sink to recover precious metals as well as intercept harmful debris. Fig. 8715 larger capacity interceptors are ideal for hospitals where a greater amount of solids is anticipated in the drainage water. Fig. 8710 and Fig. 8715 units are cleaned by removing cover and lifting strainer and screen assembly vertically out of body.

NOTE: Allow 9 1/4" (235) above interceptor for removal of strainer.



NOTE: Allow 14 1/2" (370) above interceptor for removal of strainer.

NOTE: It is the responsibility of the installer to check all parts (internal and external) to verify they are in their proper operating order and location.



REGULARLY FURNISHED:

White Duco Coated Cast Iron Body and Aluminum Gasketed Cover and Sediment Strainer with Removable Stainless Steel Screens.

OPTIONAL MATERIALS:

- Acid Resistant Coating Inside - ARI
- Acid Resistant Coating Outside - ARO
- Acid Resistant Coating Inside and Outside - ARIO
- All ABS (Specify Fig. 8710-ABS)
- All Aluminum Body -AA

NOTE: Dimensions shown in parentheses are in millimeters.

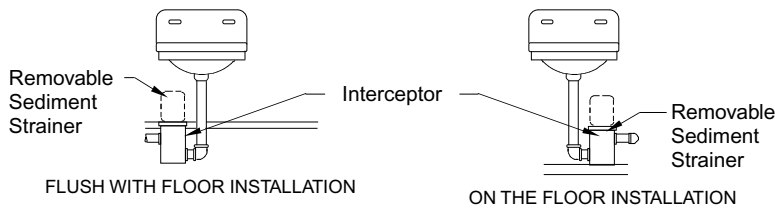
REGULARLY FURNISHED:

Fabricated Steel Body with Galvanized Sub-Coat with White Duco Finish Inside and Outside, Sediment Strainer with Removable Stainless Steel Screens and Cast Iron Cover.

OPTIONAL MATERIALS:

- Acid Resistant Coating Inside - ARI
- Acid Resistant Coating Outside - ARO
- Acid Resistant Coating Inside and Outside - ARIO

TYPICAL INSTALLATIONS



DRAWING NUMBER
S8710

SIZE
A

SCALE:
NONE

DATE:
4-24-85

APPROVED BY:
JM

CHECKED BY:
KG

DRAWN BY:
PJ

8710, 8715

WE CAN ASSUME NO RESPONSIBILITY FOR USE OF SUPERSEDED OR VOID DATA

DIMENSIONS ARE SUBJECT TO MANUFACTURERS TOLERANCE AND CHANGE WITHOUT NOTICE

REV.	DATE	DESCRIPTION	BY	CKD. BY	WEIGHT POUNDS	VOLUME CUBIC FEET	FIGURE NUMBER
K J H	05/14/04 7-10-03 7-16-02	Added to Optional Materials Changed Optional Materials Changed Regularly Furnished	JJ RN RN	AM CL CL			8710, 8715