

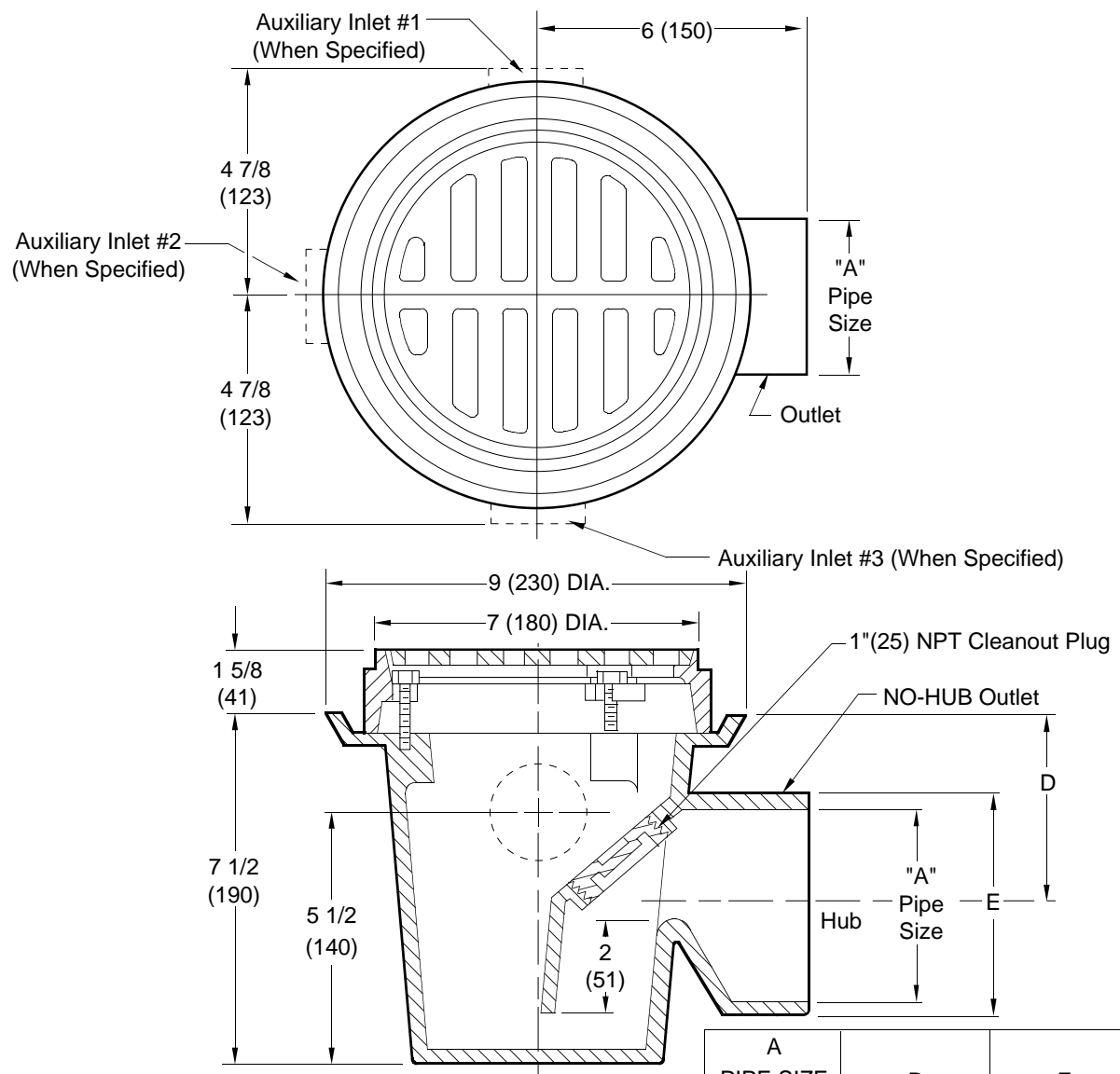
F
 DRAWING NUMBER S2096
 SIZE A
 SCALE: NONE
 DATE: 12-31-86
 APPROVED BY: KG
 CHECKED BY: TD
 DRAWN BY: CM
 2096
 FIGURE NUMBER

SMITH® JAY R. SMITH MFG. CO.
 DIVISION OF SMITH INDUSTRIES, INC.
 POST OFFICE BOX 3237
 MONTGOMERY, ALABAMA 36109-0237 (USA)
 TEL: 334-277-8520 FAX: 334-272-7396 www.JRSmith.com



LOCATION

FLOOR DRAIN WITH INTEGRAL TRAP



NOTE: Dimensions shown in parentheses are in millimeters.

A PIPE SIZE	D	E
02 (50)	3 3/16 (80)	2 5/16 (58.67)
03 (80)	3 11/16 (93)	3 3/8 (85.85)
04 (100)	4 3/16 (106)	4 3/8 (111)

REGULARLY FURNISHED:
 Duco Cast Iron Body and Flashing
 Clamp with Integral Trap and 1"(25)
 N.P.T. Plug: 7"(180) Diameter CI Top

- OPTIONAL MATERIALS:**
- Ductile Iron Grate -M
 - Galvanized Body -G
 - Satin Polished Bronze Top -PB
 - Satin Finished Nickel Bronze Top -NB
 - Square Top -S

- VARIATIONS:**
- One to Three Side Auxiliary Inlets 1/2(13) thru 2"(51) Tap (Specify NPT or BS size, qty. and location)
 - Vandal Resistant -U

REV.	DATE	DESCRIPTION	BY	CKD. BY	WEIGHT POUNDS	VOLUME CUBIC FEET	FIGURE NUMBER
F	10-31-97	Revised Millimeters	EMB	BS			2096
E	1-4-96	Added Dim	EMB	SB			
D	1-16-95	Revised	EMB	JCS			
C	10-22-93	Rev Var And Dwg	TWK	GWC			

DIMENSIONS ARE SUBJECT TO MANUFACTURERS TOLERANCE AND CHANGE WITHOUT NOTICE. WE CAN ASSUME NO RESPONSIBILITY FOR USE OF SUPERSEDED OR VOID DATA.