

B



JAY R. SMITH MFG. CO.
 DIVISION OF SMITH INDUSTRIES, INC.
 POST OFFICE BOX 3237
 MONTGOMERY, ALABAMA 36109-0237 (USA)
 TEL: 334-277-8520 • FAX: 334-272-7396 • www.JRSmith.com



LOCATION

ADJUSTABLE STRAINER HEAD WITH 6" (150) X 6" (150) SQUARE SOLID HINGED COVER

DRAWING NUMBER
I-SUFFIX-103

SIZE
A

SCALE:
NONE

DATE:
4-10-90

APPROVED BY:
McD

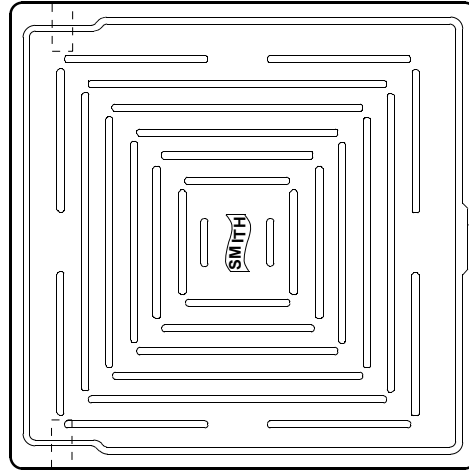
CHECKED BY:
JM

DRAWN BY:
EMB

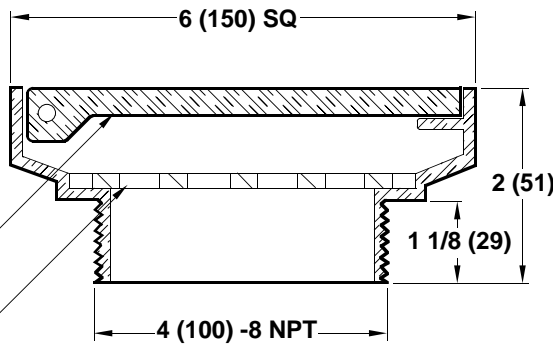
BHQ-4

WE CAN ASSUME NO RESPONSIBILITY FOR USE OF SUPERSEDED OR VOID DATA

DIMENSIONS ARE SUBJECT TO MANUFACTURERS TOLERANCE AND CHANGE WITHOUT NOTICE



Cover Lifting Slot



Solid Hinged Scoriated Cover

Cast Bronze
Secondary Strainer

REGULARLY FURNISHED:
 Nickel Bronze Strainer with Solid Hinged Scoriated Cover and Secured Secondary Strainer.

VARIATIONS:
 Flapper Type BWV -V
 Secured Cover and Gasket
 4" (100) B.S.

OPTIONAL MATERIALS:
 Chrome Plated -CP
 Polished Bronze -PB

NOTE: Dimensions shown in parentheses are in millimeters.

REV.	DATE	DESCRIPTION	BY	CKD. BY	WEIGHT POUNDS	VOLUME CUBIC FEET	FIGURE NUMBER
C	10-31-97	Added Note	EMB	BS			BHQ-4
B	11-12-93	Redrawn, Changed Var.	TWK	GWC			
A	9-16-93	Redrawn, Changed Cover	TWK	AWS			