



JAY R. SMITH MFG. CO.
 DIVISION OF SMITH INDUSTRIES, INC.
 POST OFFICE BOX 3237
 MONTGOMERY, ALABAMA 36109-0237 (USA)
 TEL: 334-277-8520 FAX: 334-272-7396 www.jrsmith.com



MEMBER OF:

LOCATION

LABOR SAVER® LAVATORY SUPPORTS

FLOOR MOUNTED TYPE WITH CONCEALED ARMS

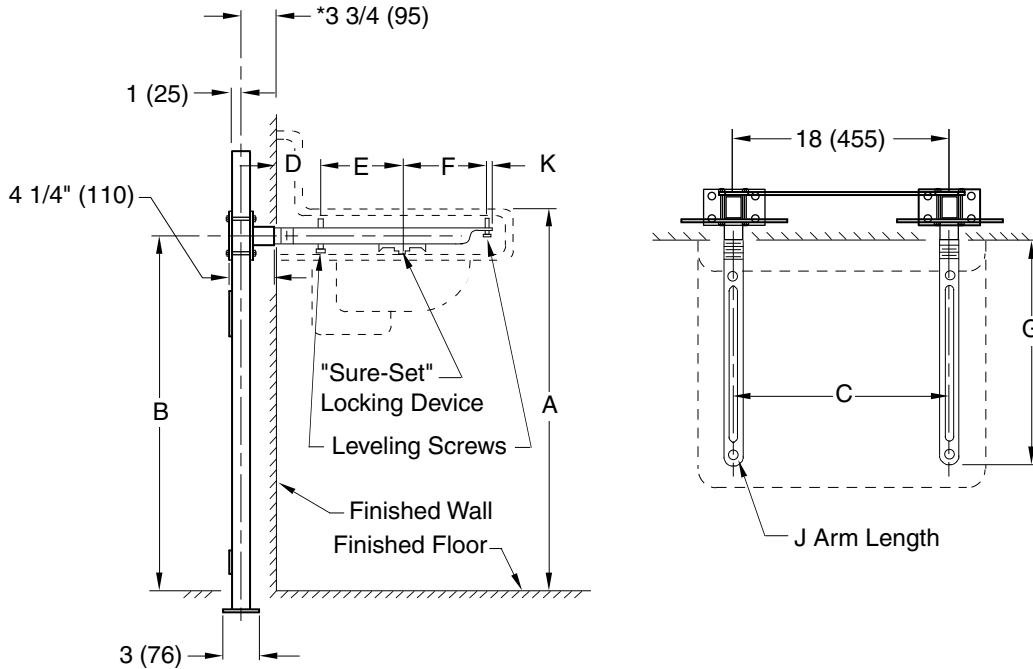
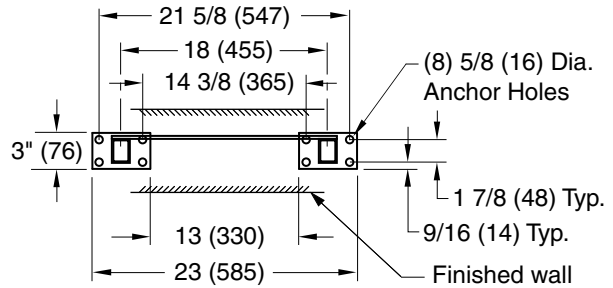


Fig. 0710 . . . FOR HIGH BACK LAVATORIES (shown)

NOTE: The rough-in dimensions listed on this drawing are based on current information available to Jay R. Smith by the fixture manufacturers. We recommend that you verify these dimensions with the fixture manufacturer. We will not accept responsibility for rough-in dimension changes by the fixture manufacturer.

NOTE: *This dimension can be increased when fixture support is to be installed behind the wall. (Specify when required and wall thickness).

NOTE: Dimensions shown in parentheses are in millimeters.



BASE DETAIL

ROUGH-IN TABLE

| FIXTURE MFG. | NAME | NUMBER | SIZE | | | | | |
|--------------|------|--------|------|---|---|---|---|---|
| A | B | C | D | E | F | G | J | K |

DRAWING NUMBER
S0710

SIZE
A

SCALE:
NONE

DATE:
12/29/00

APPROVED BY:
AM

CHECKED BY:
CR

DRAWN BY:
JJ

FIGURE NUMBER
0710

WE CAN ASSUME NO RESPONSIBILITY FOR USE OF SUPERSEDED OR VOID DATA

DIMENSIONS ARE SUBJECT TO MANUFACTURERS TOLERANCE AND CHANGE WITHOUT NOTICE

| | | | | | | | |
|-------------|----------------------------------|---|----------------|----------------|---------------|-------------------|---------------|
| REV. | DATE | DESCRIPTION | BY | CKD. BY | WEIGHT POUNDS | VOLUME CUBIC FEET | FIGURE NUMBER |
| C B A | 07/23/08 11/06/02 12/19/01 | Revised Plate Configuration Changed per George Flegel Changed Hole Size in Base | JJ JJ JJ | CL AM AM | | | 0710 |