

LABOR SAVER® LAVATORY SUPPORTS WITH CONCEALED ARMS

FLOOR MOUNTED TYPE FOR FLAT SLAB WHEEL-CHAIR PATIENTS LAVATORIES

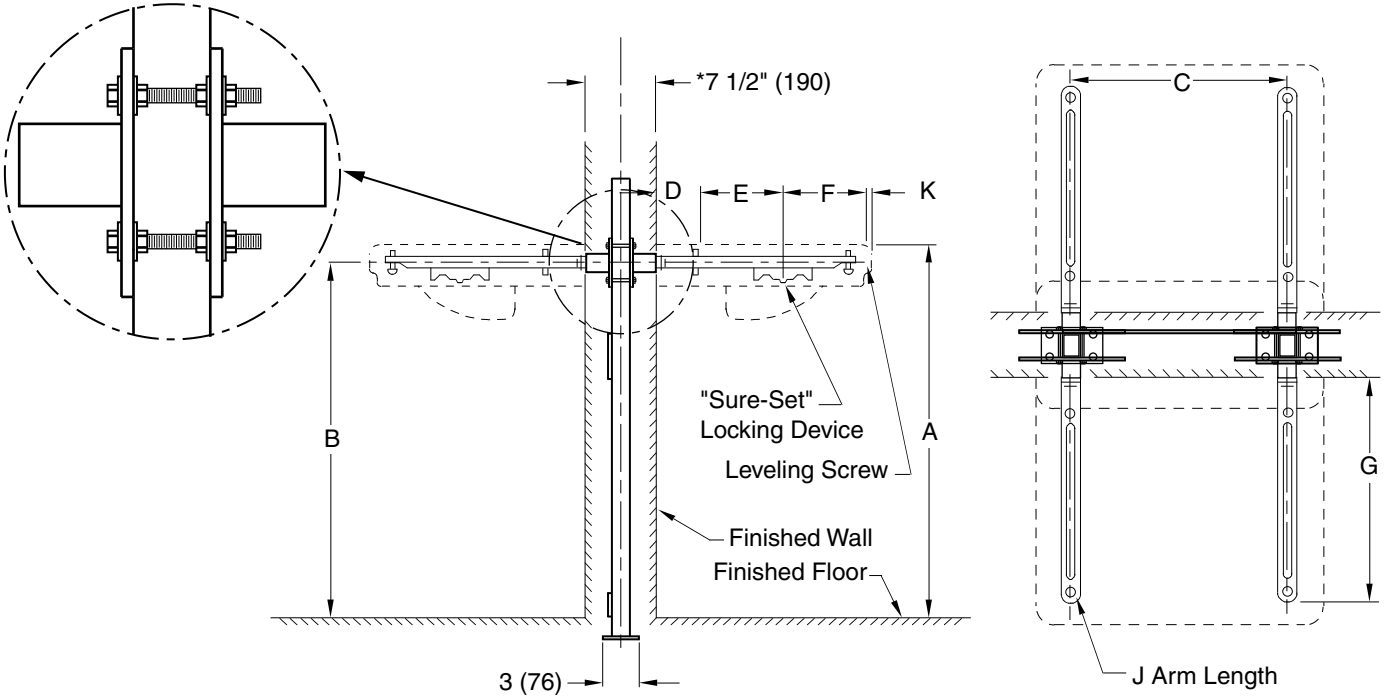
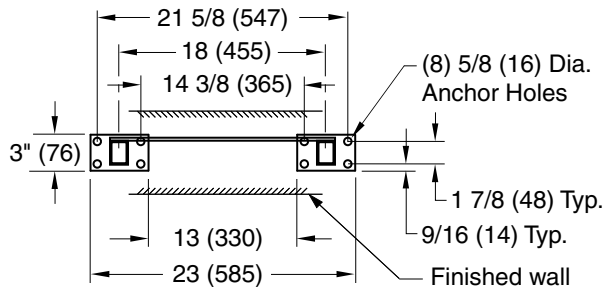


Fig. 0710D(-27).....FOR BACK TO BACK SUPPORT

NOTE: The rough-in dimensions listed on this drawing are based on current information available to Jay R. Smith by the fixture manufacturers. We recommend that you verify these dimensions with the fixture manufacturer. We will not accept responsibility for rough-in dimension changes by the fixture manufacturer.

NOTE: *This dimension can be increased when required (Specify wall thickness).

NOTE: Dimensions shown in parentheses are in millimeters.



BASE DETAIL

ROUGH-IN TABLE

FIXTURE MFG.	NAME	NUMBER	SIZE	A	B	C	D	E	F	G	J	K

DRAWING NUMBER
S0710D

SIZE
A

SCALE:
NONE

DATE:
06/03/02

APPROVED BY:

CHECKED BY:

DRAWN BY:
JJ

0710D(-27)

WE CAN ASSUME NO RESPONSIBILITY FOR USE OF SUPERSEDED OR VOID DATA

DIMENSIONS ARE SUBJECT TO MANUFACTURERS TOLERANCE AND CHANGE WITHOUT NOTICE

B	07/23/08	Revised Plate Configuration	JJ	CL	WEIGHT POUNDS	VOLUME CUBIC FEET	FIGURE NUMBER
A	12/06/02	Revised per George Flegel	JJ	AM			0710D(-27)
REV.	DATE	DESCRIPTION	BY	CKD. BY			