

B
 DRAWING NUMBER S0710D(-E)
 SIZE A
 SCALE: NONE
 DATE: 06/03/02
 APPROVED BY: AM
 CHECKED BY: CR
 DRAWN BY: JJ
 FIGURE NUMBER 0710D(-E)

WE CAN ASSUME NO RESPONSIBILITY FOR USE OF SUPERSEDED OR VOID DATA
 DIMENSIONS ARE SUBJECT TO MANUFACTURERS TOLERANCE AND CHANGE WITHOUT NOTICE

LABOR SAVER® LAVATORY SUPPORTS

FLOOR MOUNTED TYPE WITH CONCEALED ARMS

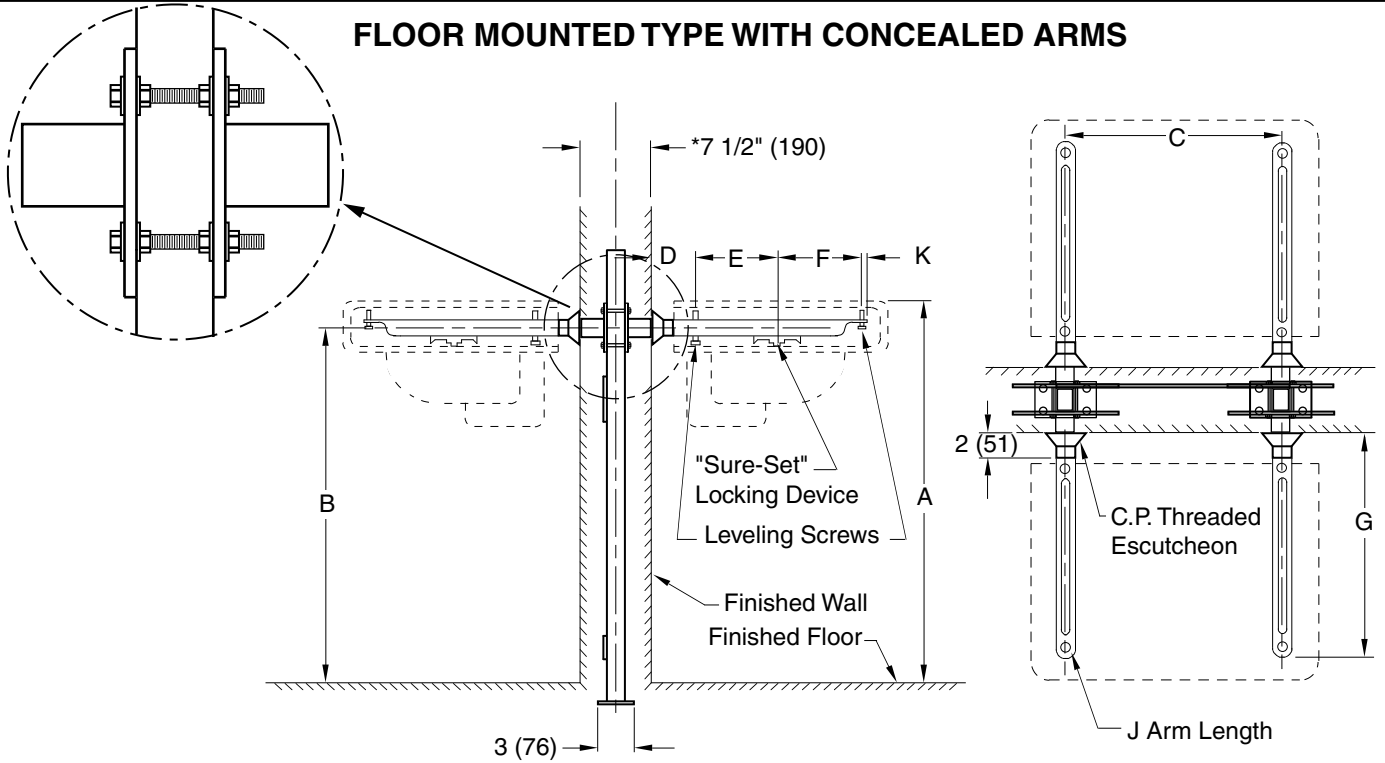
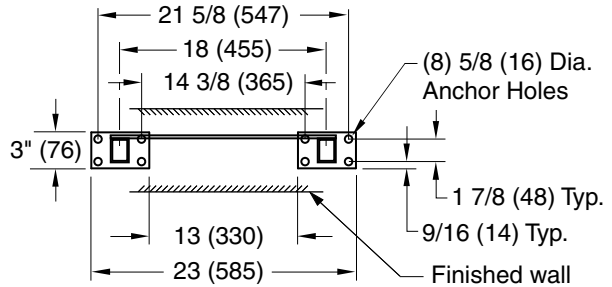


Fig. 0710D(-E).....FOR FLAT-SLAB LAVATORIES

NOTE: The rough-in dimensions listed on this drawing are based on current information available to Jay R. Smith by the fixture manufacturers. We recommend that you verify these dimensions with the fixture manufacturer. We will not accept responsibility for rough-in dimension changes by the fixture manufacturer.

NOTE: *This dimension can be increased when required. (Specify wall thickness)

NOTE: Dimensions shown in parentheses are in millimeters.



BASE DETAIL

ROUGH-IN TABLE

FIXTURE MFG.		NAME		NUMBER		SIZE		
A	B	C	D	E	F	G	J	K

B	07/22/08	Revised Plate Configuration Changed per George Flegel	JJ	CL
A	11/07/02		JJ	AM
REV.	DATE	DESCRIPTION	BY	CKD. BY

WEIGHT POUNDS	VOLUME CUBIC FEET	FIGURE NUMBER
		0710D(-E)