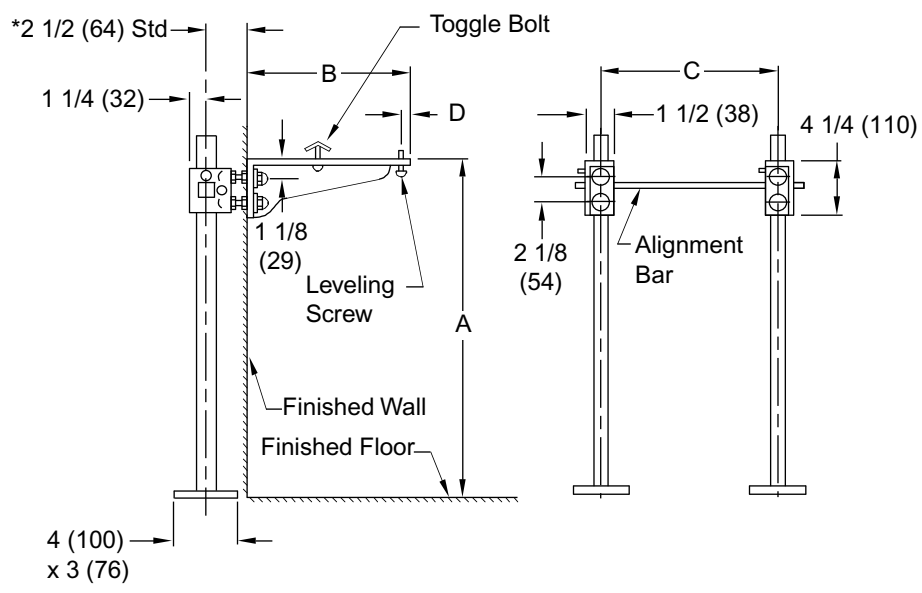


## LAVATORY SUPPORTS WITH EXPOSED ARMS

### FLOOR MOUNTED WITH "PRO-SET" UPRIGHTS

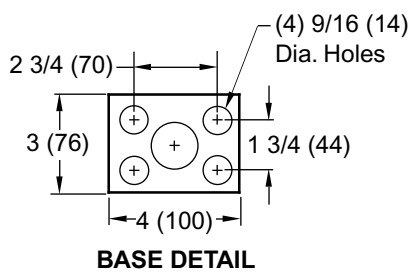


**Fig. 0750 . . . WITH ACID RESISTANT COATED EXPOSED ARMS FOR FLAT SLAB AND HIGH BACK LAVATORIES**

\*This dimension can be increased when fixture support is to be installed behind the wall (specify when required and wall thickness).

**NOTE:** For metal stud wall construction, specify Suffix -M31 rectangular steel upright with welded base for greater strength.

**NOTE:** Dimensions shown in parentheses are in millimeters.



#### ROUGHING-IN TABLE

FIXTURE NAME	NUMBER	SIZE	A	B	C	D

**NOTE:** The rough-in dimensions listed on this drawing are based on current information available to Jay R. Smith by the fixture manufacturers. We recommend that you verify these dimensions with the fixture manufacturer. We will not accept responsibility for rough-in dimension changes by the fixture manufacturer.

DRAWING NUMBER **S0750 (B)**  
 SIZE **A**  
 SCALE: **NONE**  
 DATE: **9-11-63**  
 APPROVED BY:  
 CHECKED BY: **RP**  
 DRAWN BY: **SL**  
**0750**  
 DIMENSIONS ARE SUBJECT TO MANUFACTURERS TOLERANCE AND CHANGE WITHOUT NOTICE

E D C	01/18/00 6-12-95 8-10-93	Revised Base Plate Added Millimeters Submittal Update	JJ EMB EMB	BS BS BS	WEIGHT POUNDS	VOLUME CUBIC FEET	<b>FIGURE NUMBER</b>  <b>0750</b>
REV.	DATE	DESCRIPTION	BY	CKD. BY			