

LAVATORY SUPPORTS WITH EXPOSED ARMS

FLOOR MOUNTED WITH "PRO-SET" UPRIGHTS

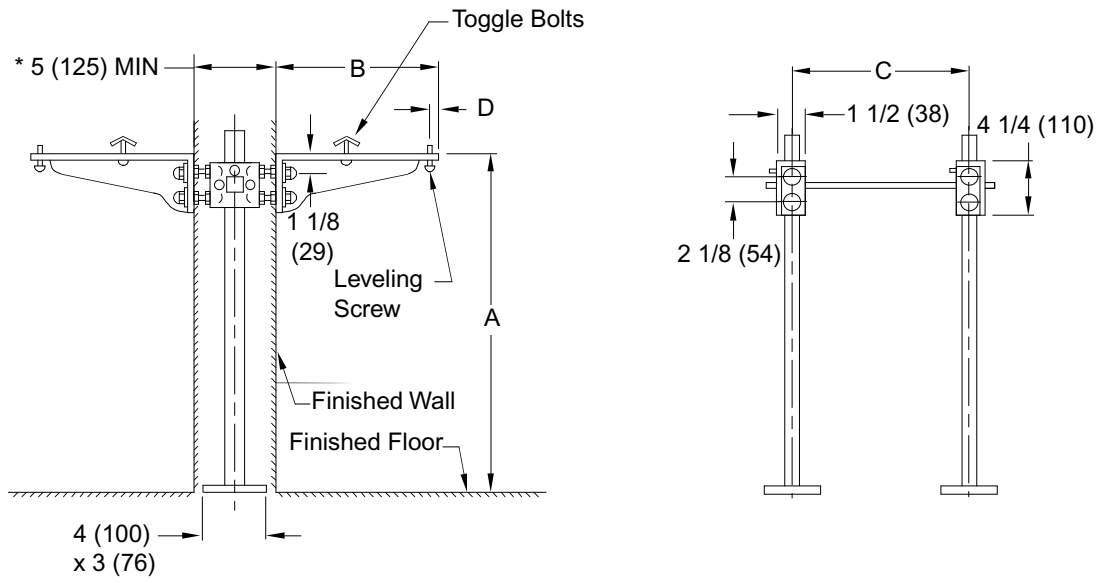
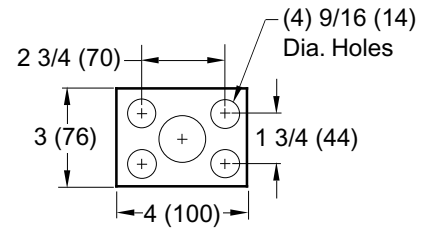


Fig. 0750D ... FOR HIGH BACK TO BACK SUPPORT

*This dimension can be increased when fixture support is to be installed behind the wall (specify when required and wall thickness).

NOTE: For metal stud wall construction, specify Suffix -M31 rectangular steel upright with welded bases for greater strength.

NOTE: Dimensions shown in parentheses are in millimeters.



BASE DETAIL

ROUGHING-IN TABLE

FIXTURE NAME	NUMBER	SIZE	A	B	C	D

NOTE: The rough-in dimensions listed on this drawing are based on current information available to Jay R. Smith by the fixture manufacturers. We recommend that you verify these dimensions with the fixture manufacturer. We will not accept responsibility for rough-in dimension changes by the fixture manufacturer.

0750D

FIGURE NUMBER	C B A	01/18/00 4-2-97 8-10-93	Revised Base Plate Added Millimeters Submittal Update	JJ EMB EMB	BS BS BS	WEIGHT POUNDS	VOLUME CUBIC FEET	FIGURE NUMBER 0750D
	REV.	DATE	DESCRIPTION	BY	CKD. BY			

WE CAN ASSUME NO RESPONSIBILITY FOR USE OF SUPERSEDED OR VOID DATA

DIMENSIONS ARE SUBJECT TO MANUFACTURERS TOLERANCE AND CHANGE WITHOUT NOTICE

DRAWING NUMBER
S0750D (B)

SIZE
A

SCALE:
NONE

DATE:
10-17-63

APPROVED BY:

CHECKED BY:
RP

DRAWN BY:
SL