



LOCATION

# LABOR SAVER LAVATORY SUPPORTS

## FLOOR MOUNTED TYPE WITH EXPOSED ARMS

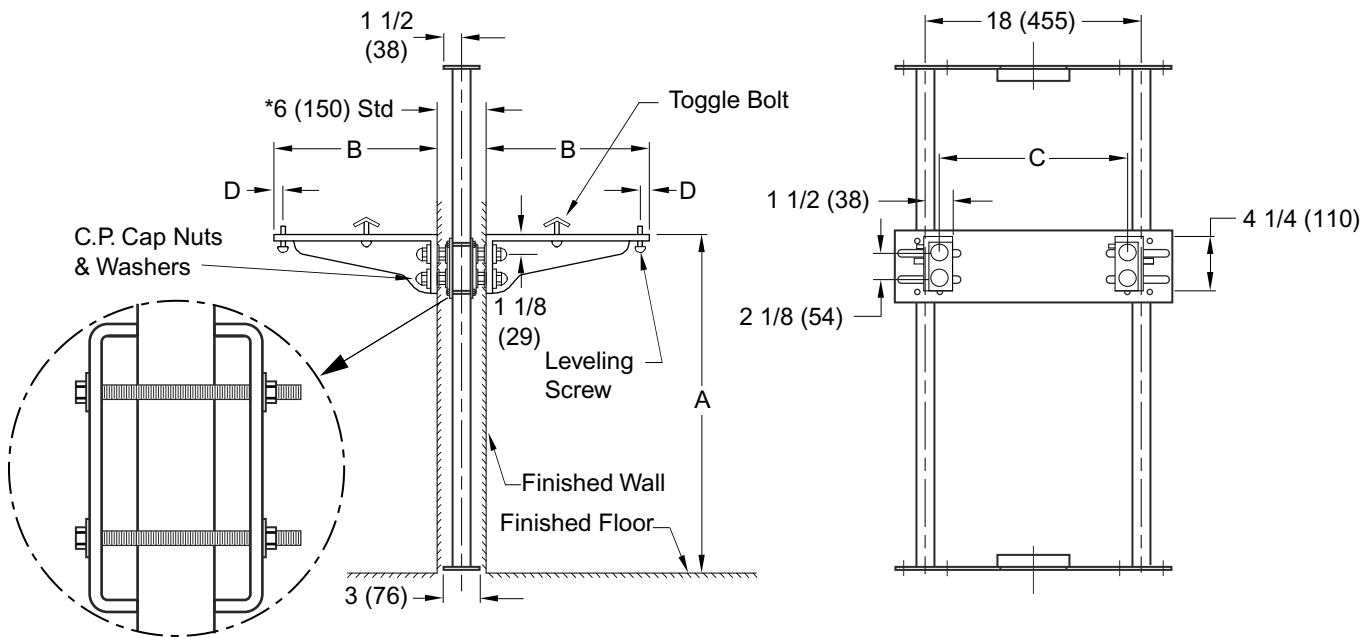
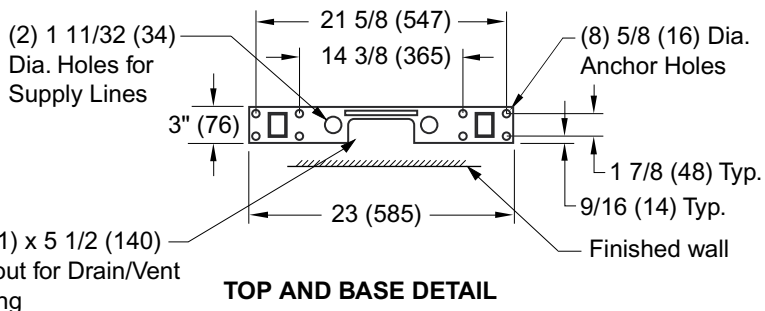


Fig. 0760D . . . FOR BACK TO BACK SUPPORT

**NOTE:** The rough-in dimensions listed on this drawing are based on current information available to Jay R. Smith by the fixture manufacturers. We recommend that you verify these dimensions with the fixture manufacturer. We will not accept responsibility for rough-in dimension changes by the fixture manufacturer.

**NOTE:** \*This dimension can be increased when required (Specify wall thickness).

**NOTE:** Dimensions shown in parenthesis are in millimeters.



### ROUGH-IN TABLE

FIXTURE MFG.	NAME	NUMBER	SIZE	A	B	C	D

DRAWING NUMBER S0760D  
 SIZE A  
 SCALE: NONE  
 DATE: 07/22/02  
 APPROVED BY: AM  
 CHECKED BY: CR  
 DRAWN BY: JJ  
**0760D**  
 FIGURE NUMBER

WE CAN ASSUME NO RESPONSIBILITY FOR USE OF SUPERSEDED OR VOID DATA  
 DIMENSIONS ARE SUBJECT TO MANUFACTURERS TOLERANCE AND CHANGE WITHOUT NOTICE

REV.	DATE	DESCRIPTION	BY	CKD. BY	WEIGHT POUNDS	VOLUME CUBIC FEET	FIGURE NUMBER
C B A	11/07/02 08/05/02 07/31/02	Changed per George Flegel Added Solid Lines on Arms Revised View	JJ JJ JJ	AM AM AM			<b>0760D</b>