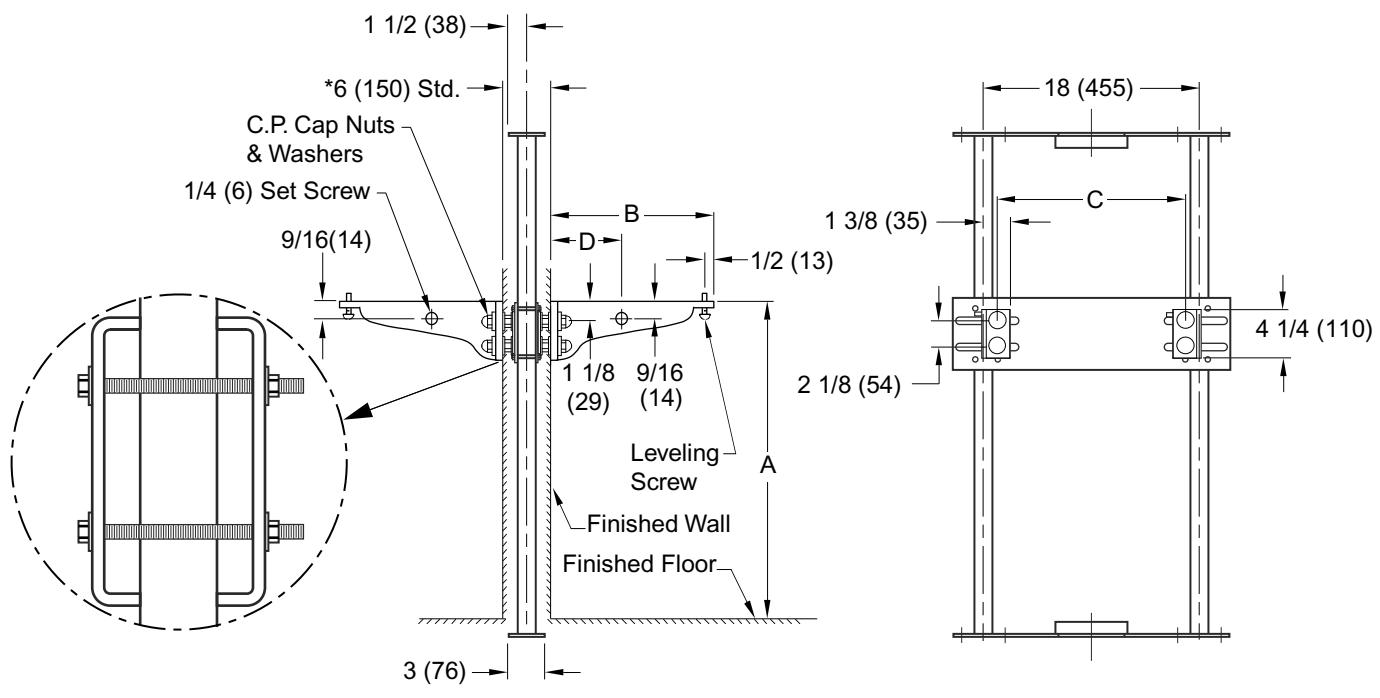


# LABOR SAVER LAVATORY SUPPORTS

## FLOOR MOUNTED TYPE WITH EXPOSED ARMS

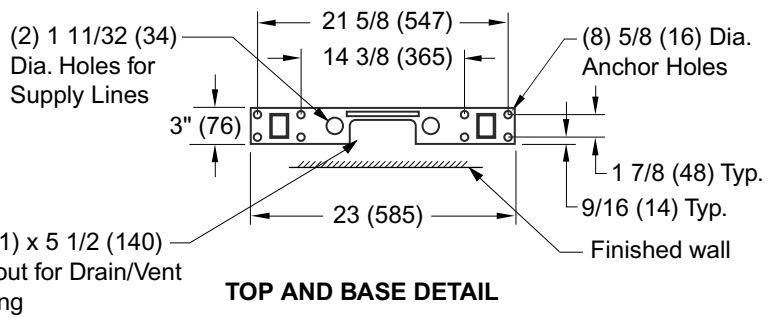


**Fig. 0762D ... FOR BACK TO BACK SUPPORT**

**NOTE:** The rough-in dimensions listed on this drawing are based on current information available to Jay R. Smith by the fixture manufacturers. We recommend that you verify these dimensions with the fixture manufacturer. We will not accept responsibility for rough-in dimension changes by the fixture manufacturer.

**NOTE:** \*This dimension can be increased when required (Specify wall thickness).

**NOTE:** Dimensions shown in parenthesis are in millimeters.



**TOP AND BASE DETAIL**

**ROUGH-IN TABLE**

FIXTURE MFG.	NAME	NUMBER	SIZE	A	B	C	D

DRAWING NUMBER: S0762D  
 SIZE: A  
 SCALE: NONE  
 DATE: 07/22/02  
 APPROVED BY: AM  
 CHECKED BY: CR  
 DRAWN BY: JJ  
**0762D**  
 DIMENSIONS ARE SUBJECT TO MANUFACTURERS TOLERANCE AND CHANGE WITHOUT NOTICE  
 WE CAN ASSUME NO RESPONSIBILITY FOR USE OF SUPERSEDED OR VOID DATA

<b>C</b> <b>B</b> <b>A</b>	11/08/02 08/05/02 07/31/02	Changed per George Flegel Added Solid Lines on Arms Revised View	JJ JJ JJ	AM AM AM	WEIGHT POUNDS	VOLUME CUBIC FEET	<b>FIGURE NUMBER</b> <h1 style="margin: 0;">0762D</h1>
REV.	DATE	DESCRIPTION	BY	CKD. BY			