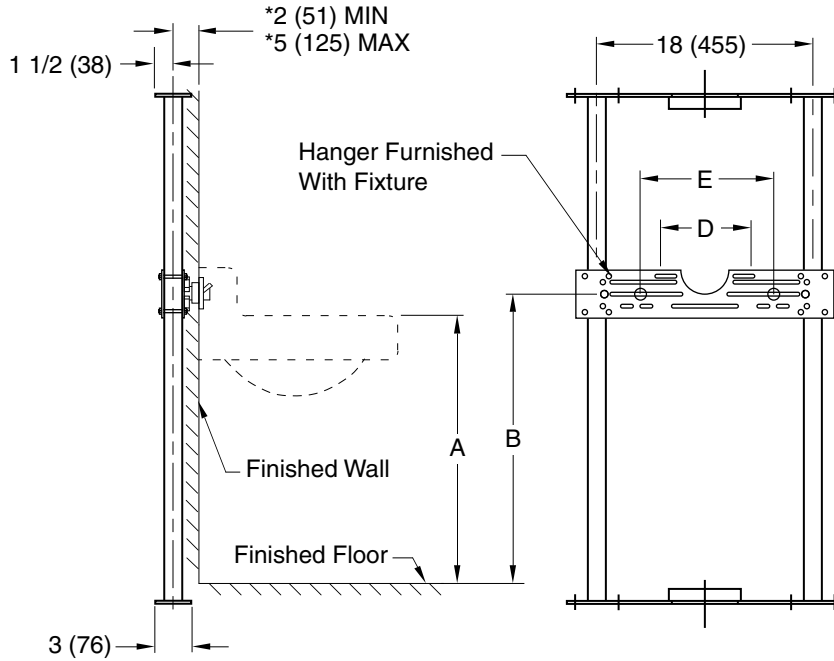


# LABOR SAVER™ LAVATORY SUPPORTS

## FLOOR MOUNTED TYPE WITH CONCEALED HANGERS

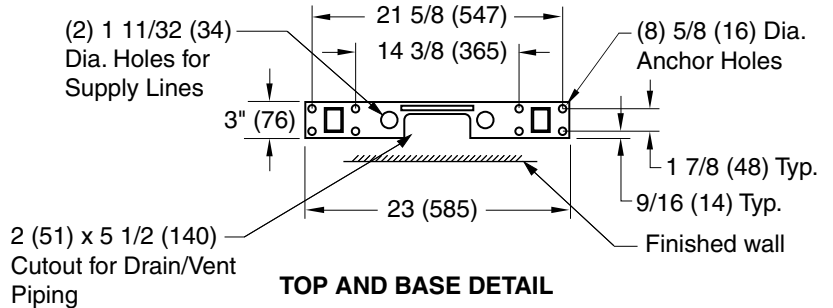


**Fig. 0801 . . . FOR HIGH BACK LAVATORIES WITH CONCEALED HANGER**

**NOTE:** \*This dimension can be increased when fixture support is to be installed behind the wall (specify when required and wall thickness).

**NOTE:** Dimensions shown in parentheses are in millimeters.

**NOTE:** The rough-in dimensions listed on this drawing are based on current information available to Jay R. Smith by the fixture manufacturers. We recommend that you verify these dimensions with the fixture manufacturer. We will not accept responsibility for rough-in dimension changes by the fixture manufacturer.



### ROUGH-IN TABLE

| FIXTURE MFG. | NAME | NUMBER | SIZE | A | B | D | E |
|--------------|------|--------|------|---|---|---|---|
|              |      |        |      |   |   |   |   |

|      |          |                              |     |         |                  |                      |                              |
|------|----------|------------------------------|-----|---------|------------------|----------------------|------------------------------|
| D    | 5-5-03   | Revised Table                | TBW | AM      | WEIGHT<br>POUNDS | VOLUME<br>CUBIC FEET | FIGURE NUMBER<br><b>0801</b> |
| C    | 11/08/02 | Changed per George Flegel    | JJ  | AM      |                  |                      |                              |
| B    | 12/19/01 | Changed Hole Size in Base    | JJ  | AM      |                  |                      |                              |
| A    | 09/19/01 | Inserted new universal plate | JJ  | AM      |                  |                      |                              |
| REV. | DATE     | DESCRIPTION                  | BY  | CKD. BY |                  |                      |                              |

DRAWING NUMBER  
S0801

SIZE  
A

SCALE:  
NONE

DATE:  
12/29/00

APPROVED BY:  
AM

CHECKED BY:  
CR

DRAWN BY:  
JJ

**0801**

FIGURE  
NUMBER

WE CAN ASSUME NO RESPONSIBILITY FOR USE OF SUPERSEDED OR VOID DATA

DIMENSIONS ARE SUBJECT TO MANUFACTURERS TOLERANCE AND CHANGE WITHOUT NOTICE