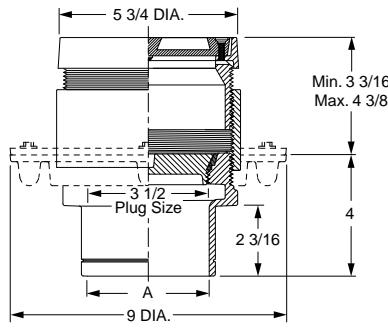


# CLEANOUTS

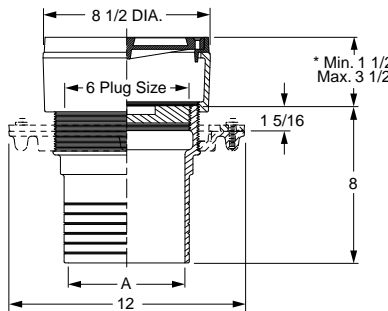
SMITH®

## FIG. 4180-4193 SERIES FINISHED FLOOR CLEANOUTS W/ADJUSTABLE ROUND TOP WITH TERRAZZO RECESS

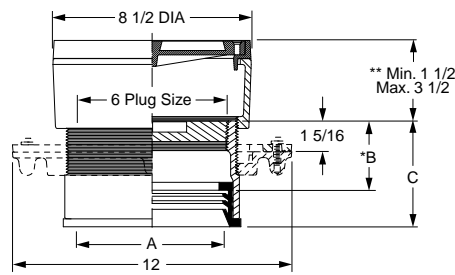
**FUNCTION:** Used in terrazzo and similar poured floors bearing foot and medium load wheeled traffic. The recess is filled with the floor material, presenting an unobtrusive appearance. Lock-in design gently holds floor material in recess.



**4180 Series  
2" - 5" Sizes**



**4183 Series  
6" & 8" Sizes**



**4193 Series  
6" & 8" Sizes**

A SIZE	B	C
06	*3	4 9/16
08	*3 1/4	4 13/16

OPTIONS:		ADD
-DX	Wide Flange .....	286.00
-F	Flange .....	N/C
-FC	Flange w/Flashing Clamp .....	64.00
-G	Galvanized Cl .....	133.00
-IP	Iron Plug (In lieu of ABS).....	58.00
-U	Vandal Proof Screws .....	58.00

NOTE: When Flange -F is specified, Min. 1 1/2" becomes 2"

WITH ABS PLUG	SPIGOT• OUTLET	INSIDE CAULK OUTLET	SPEEDI- SET* OUTLET	A - OUTLET SIZE						
				COVER MATERIAL	02"	03"	04"	♦05"	**06"	**08"
Gasket Seal Plug	4180S	4185C	4191L	†Nickel Bronze (-NB)	595.00	616.00	751.00	1,088.00	-	-
				Polished Bronze (-PB)	559.00	580.00	715.00	1,052.00	-	-
Taper Thread Plug	4184S	4189C	4194L	†Nickel Bronze (-NB)	595.00	616.00	751.00	1,088.00	-	-
				Polished Bronze (-PB)	559.00	580.00	715.00	1,052.00	-	-
WITH BRZ PLUG	SPIGOT• OUTLET	INSIDE CAULK OUTLET	SPEEDI- SET* OUTLET	A - OUTLET SIZE						
				COVER MATERIAL	02"	03"	04"	♦05"	**06"	**08"
Gasket Seal Plug	4181S	4186C	4192L	†Nickel Bronze (-NB)	713.00	734.00	870.00	1,206.00	1,462.00	1,587.00
				Polished Bronze (-PB)	677.00	698.00	834.00	1,170.00	1,426.00	1,551.00
Taper Thread Plug	**4183S	4188C	**4193L	†Nickel Bronze (-NB)	713.00	734.00	870.00	1,206.00	1,462.00	1,587.00
				Polished Bronze (-PB)	677.00	698.00	834.00	1,170.00	1,426.00	1,551.00
APPROX WT. LBS.				14	15	19	25	28	32	

**REGULARLY FURNISHED:** Duco Cast Iron Cleanout with Round Adjustable Secured Nickel Bronze Top with 1/2" Terrazzo Recess. Closure Plug Type as Indicated by Figure Number Selected.

- \*\*6 & 8" Available w/Bronze Taper Plug Only.
- 5, 6 & 8" Not Available w/Inside Caulk Outlet.
- \* Speedi-Set Outlet Available with 2, 3, 4, 6 or 8" Connection Only. Specify Service Weight (L), Extra Heavy (LXH) or PVC (LPVC). LPVC applies to 6" pipe size only.
- Spigot Ferrules are Suitable for use with No-Hub Connections.
- ♦ 5" Available w/Spigot Outlet Only.

CLEANOUTS