

CLEANOUTS

FIG. DX4343 WIDE FLANGE CAST IRON MULTI-PURPOSE FLOOR CLEANOUT W/ INTERNAL CLOSURE PLUG



FUNCTION: Used where a waterproof covering is to be applied and a wide area is required for bonding and/or support.

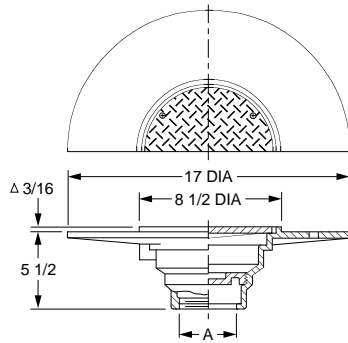


Fig. DX4343

OUTLET VARIATIONS (Specify type of outlet and pipe size in inches.)

| Outlet Type | Outlet Designation | ADD |
|--------------|--------------------|---------------|
| Inside Caulk | C02, C03, C04 | N/C |
| Threaded | T02, T03, T04 | N/C |
| No-Hub | Y02, Y03, Y04 | See Fig 2646Y |

OPTIONS:

| | | |
|-----|--------------------------|-------|
| -SH | Securing Holes in Flange | 74.00 |
| -U | Vandal Proof Cover | 58.00 |

If Water-Proof Deck Covering thickness is greater (or less) than dimensions shown, the drain body should be set to compensate for the variation in thickness. Drain body should be set low enough to permit "dimpling" of area surrounding drain.

| A OUTLET SIZE | TOP SIZE | †DUCO CAST IRON | DUCO CI PB TOP | DUCO CI NB TOP | APPROX. WEIGHT LBS |
|---------------------|-------------|-----------------------|-------------------|-------------------|--------------------------|
| 02, 03, 04" | 8 1/2" | 504.00 | 714.00 | 753.00 | 30 |

REGULARLY FURNISHED: Duco Cast Iron Body with Solid Secured Cover and Taper Thread Bronze Closure Plug.

FIG. 4400, 4402 CAULK FERRULE CLEANOUT LEAD SEAL PLUG W/ROUND ACCESS COVER

FUNCTION: Used in hub openings in drainage piping where a cleanout is required. The straight thread lead seal plug permits quick and easy removal. Grooves on outside of ferrule prevent turning. Face-of-wall cover is desirable on finished walls when ferrule is used in vertical piping.

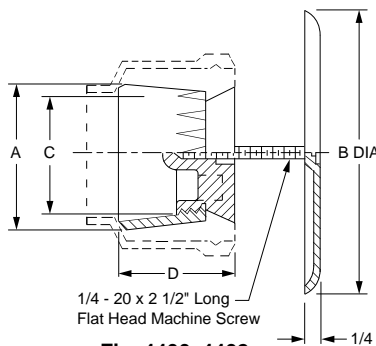


Fig. 4400, 4402

OPTIONS:

| | | |
|------|----------------------------|--------|
| -BP | Cast Bronze Lead Seal Plug | ADD |
| | 02, 03, 04, 05" | 117.00 |
| | 06, 08" | 373.00 |
| -LSS | 6" Long Center Screw | 28.00 |
| -TP | "T" Handle for Plug | 47.00 |
| -U | Vandal Proof Screw | 58.00 |

| LESS COVER | PLUG MATERIAL | | A - PIPE SIZE: | 02" | 03" | 04" | 05" | 06" | 08" |
|------------|------------------------|--------------------------|---------------------|--------|--------|--------|--------|--------|---------|
| 4400CI | CI Ferrule and CI Plug | | | 58.00 | 90.00 | 124.00 | 187.00 | 256.00 | 474.00 |
| 4400AB | All Bronze | | | 199.00 | 238.00 | 349.00 | 530.00 | 679.00 | 945.00 |
| WITH COVER | PLUG MATERIAL | COVER MATERIAL | A - PIPE SIZE: | 02" | 03" | 04" | 05" | 06" | 08" |
| 4402 | CI Ferrule and CI Plug | †Stainless Steel (-SS) | B - COVER SIZE DIA: | 4 1/4" | 5 1/2" | 5 1/2" | 7" | 9 1/4" | 11 1/4" |
| | | Prime Coated Steel (-PC) | | 141.00 | 174.00 | 208.00 | 292.00 | 443.00 | 765.00 |
| | | Polished Bronze (-PB) | | 115.00 | 148.00 | 182.00 | 266.00 | 417.00 | 739.00 |
| | | | C - SIZE | 1 1/2" | 2 1/2" | 3 1/2" | 4 1/2" | 5 1/2" | 7 1/2" |
| | | | D | 2 1/2" | 2 3/4" | 3" | 3" | 3" | 3 1/2" |
| | | | APPROX WT. LBS. | 3 | 4 | 6 | 8 | 10 | 12 |

REGULARLY FURNISHED: Duco Cast Iron Caulk Ferrule and Cast Iron Lead Seal Plug with Stainless Steel Round Cover and Screw when indicated by Fig. Number.