

HYDRANTS

SMITH®



FIG. 5509QT QUARTERHORSE-1/4 TURN SS BOX-TYPE HYDRANT W/INTEGRAL VACUUM BREAKER AND CONCEALED HOSE CONNECTION

FUNCTION: Provides positive non-freeze protection where water is required at the outside of the building and features an integral vacuum breaker. The stainless steel recessed box conceals the nozzle and operating mechanism. The locking cover prevents unauthorized use.

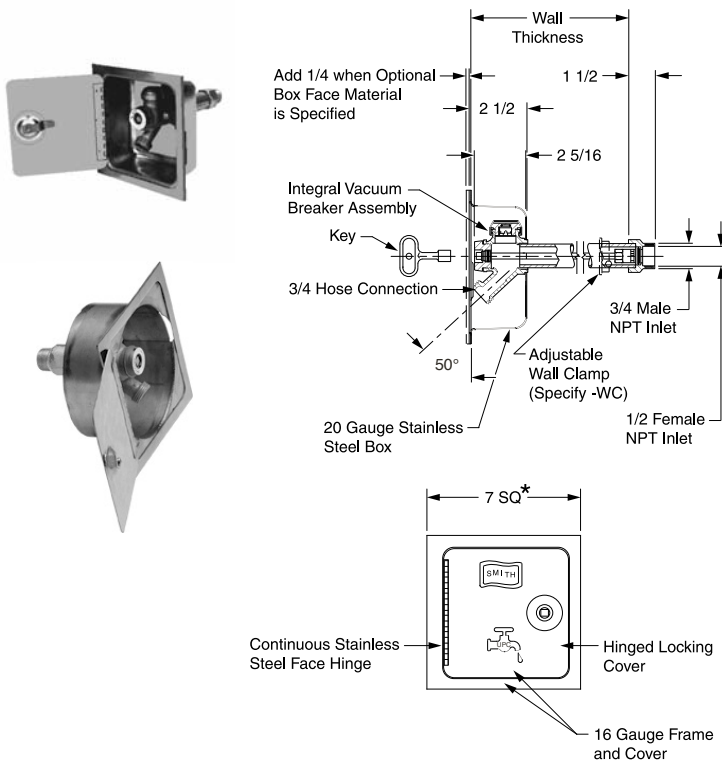


Fig. 5509QT

WALL THICKNESS	3/4" INLET	APPROX WEIGHT LBS
-SAP	834.00	8
06, 08"	968.00	9
10, 12, 14, 16"	1,056.00	10
18, 20, 22, 24"	1,146.00	11

REGULARLY FURNISHED: Bronze Nickel Plated Quarter Turn Non-Freeze Hydrant with Hose Connection, Integral Vacuum Breaker, "T" Handle Key, and Stainless Steel Box with Full 180° Cover Opening.

OPTIONS:

OPTION	DESCRIPTION	ADD
-CL	Cylinder Lock	117.00
-CP	Chrome Plated Face	190.00
-E	Elbow Inlet	29.00
-E1	1" NPT Elbow Inlet	162.00
-HC1	1" Hose Conn Adaptor	133.00
-IC1**	1" Male NPT Inlet Connection	133.00
-MF1	1" Straight Female Inlet	133.00
-NB	Nickel Bronze Face	173.00
-PB	Polished Bronze Face	38.00
-RB	Rough Bronze Face	38.00
-SE	Sweat Elbow Inlet	29.00
-SE1	1" NPT Sweat Elbow Inlet	162.00
-SS	Straight Sweat Inlet	N/C
-SS1	1" Straight Sweat Inlet	133.00
-SSR	6" Cored Hole Stainless Steel Box	172.00
-W	"Water" on Cover	N/C
-WC	Adjustable Wall Clamp	N/C

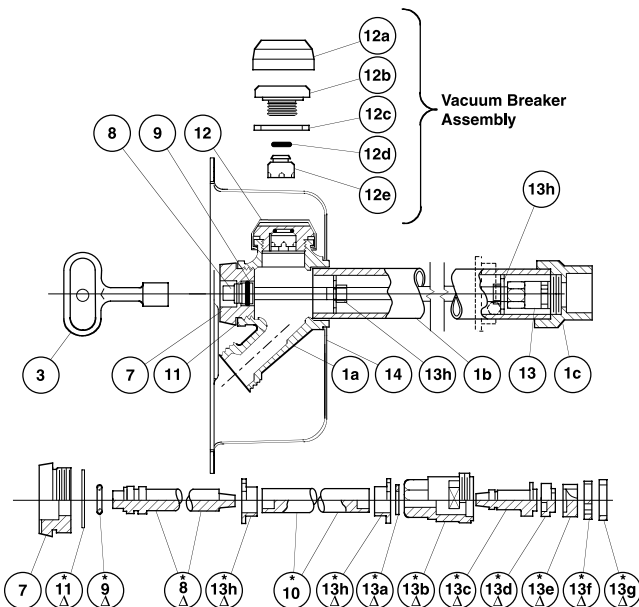
For Hydrant Parts Repair Kit, See Pg. 340

NOTES:

- *Recommended wall opening 6" x 6". Hydrant shall be in the vertical position only, the connection must be on the bottom.
- When ordering, specify wall thickness in 2" increments as follows: 06, 08, 10, 12, 14, 16, 18, 20, 22 or 24. When wall clamp -WC is desired, increase wall thickness dimension by 2".
- All Jay R. Smith hydrants are manufactured with "NO-LEAD" brazing rings, and USDA approved lubricants.
- When an Optional Box Face Material is Specified a Concealed Hinge will be Provided, also add 1/4" to Flange Thickness.

** Add 3/4" to overall length when specified

Seepage of a small amount of water may occur from the vacuum breaker upon the initial opening and closing of this hydrant. This is normal operation.



HYDRANT PARTS LIST					
NO.	DESCRIPTION	NO.	DESCRIPTION	NO.	DESCRIPTION
1	Head/Casing Assembly	10	Operator Rod	13a	Retaining Ring
1a	Head	11	Face Nut Washer	13b	Valve Body
1b	Casing	12	Vacuum Breaker Assembly	13c	Valve Actuator
1c	Valve Housing	12a	VB Cap	13d	Nylon Thrust Washer
3	Key	12b	VB Body	13e	Rotating Ceramic Disc
7	Face Nut	12c	VB Washer	13f	Fixed Ceramic Disc
8	Actuator Shaft	12d	VB "O" Ring	13g	Silicon Rubber Seal
9	Actuator "O" Ring	12e	VB Piston	13h	Retainer Guide (2)
		13	Valve Body Assembly	14	Box Assembly S.S.

Δ These Replacement Parts Available in HPRK-7

* All Parts Accessible from Face of Hydrant by Removing Face Nut.

HYDRANTS