

HYDRANTS

SMITH®



FIG. 5609QT QUARTERHORSE-1/4 TURN HYDRANT W/INTEGRAL VACUUM BREAKER AND EXPOSED HOSE CONNECTION

FUNCTION: For installation in interior or exterior building walls where an exposed hose connection is acceptable. Provides positive non-freeze protection and features an integral vacuum breaker. Adaptable to all types of wall construction.

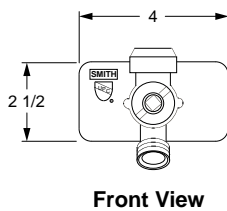
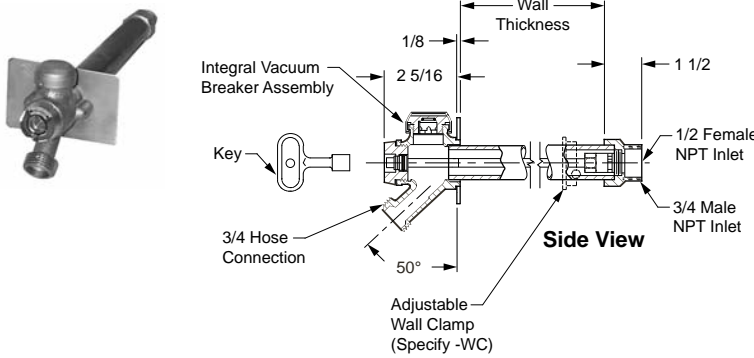


Fig. 5609QT

OPTIONS:

OPTION	DESCRIPTION	PRICE
-CP	Chrome Plated Face	58.00
-E	Elbow Inlet	29.00
-E1	1" NPT Elbow Inlet	162.00
-HC1	1" Hose Conn Adaptor	133.00
-IC1	1" Male NPT Inlet Connection*	133.00
-MF1	1" Straight Female Inlet	133.00
-PB	Polished Bronze Face	38.00
-SS	Straight Sweat Inlet	N/C
-SS1	1" Straight Sweat Inlet	133.00
-SE	Sweat Elbow Inlet	29.00
-SE1	1" NPT Sweat Elbow Inlet	162.00
-WC	Adjustable Wall Clamp	N/C
-WH	Wheel Handle	182.00

*Add 3/4" to Overall Length When Specified

For Hydrant Parts Repair Kit, See Pg. 340

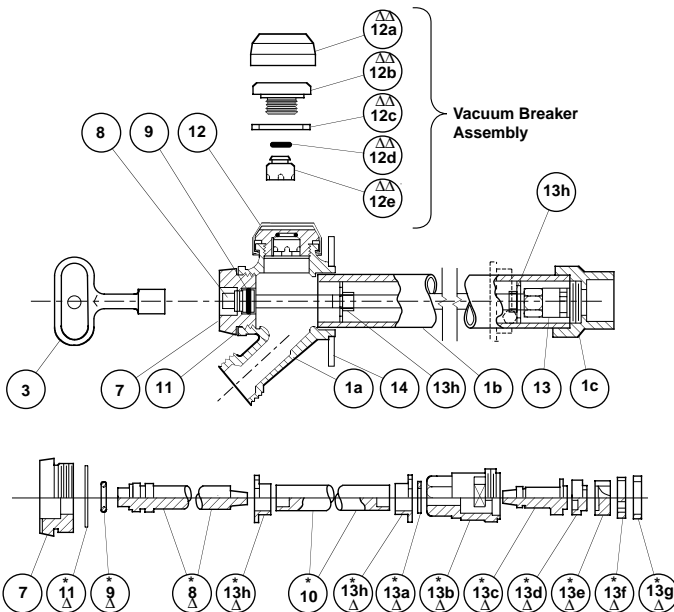
NOTES:

1. Recommended wall opening 2 x 2. Hydrant shall be in the vertical position only, the hose connection must be on the bottom.
2. When ordering, specify wall thickness in 02" increment as follows: 04, 06, 08, 10, 12, 14, 16, 18, 20, 22 or 24". When wall clamp -WC is desired, increase wall thickness dimension by 2".
3. All Jay R. Smith hydrants are manufactured with "NO-LEAD" brazing rings and USDA approved lubricants.

WALL THICKNESS	3/4" INLET	APPROX WEIGHT LBS
-SAP	408.00	7
04, 06"	541.00	8
08, 10, 12, 14"	630.00	9
16, 18, 20, 22"	718.00	10
24, 26, 28, 30"	810.00	12

Seepage of a small amount of water may occur from the vacuum breaker upon the initial opening and closing of this hydrant. This is normal operation.

REGULARLY FURNISHED: Bronze Nickel Plated Quarter Turn Non-Freeze Hydrant with 3/4" Hose Connection, Backer Plate, Integral Vacuum Breaker with Vandal Resistant Cap and "T" Handle Key.



HYDRANT PARTS LIST			
NO.	DESCRIPTION	NO.	DESCRIPTION
1	Head/Casing Assembly	10	Operator Rod
1a	Head	11	Face Nut Washer
1b	Casing	12	Vacuum Breaker Assembly
1c	Valve Housing	12a	VB Cap
3	Key	12b	VB Body
7	Face Nut	12c	VB Washer
8	Actuator Shaft	12d	VB "O" Ring
9	Actuator "O" Ring	12e	VB Piston
		13	Valve Body Assembly
		13a	Retaining Ring
		13b	Valve Body
		13c	Valve Actuator
		13d	Nylon Thrust Washer
		13e	Rotating Ceramic Disc
		13f	Fixed Ceramic Disc
		13g	Silicon Rubber Seal
		13h	Retainer Guide (2)
		14	Backer Plate w/Screws

Δ These Replacement Parts Available in HPRK-7

ΔΔ These Replacement Parts Available in HPRK-7VB

* These Parts Accessible from Face of Hydrant by Removing Face Nut.