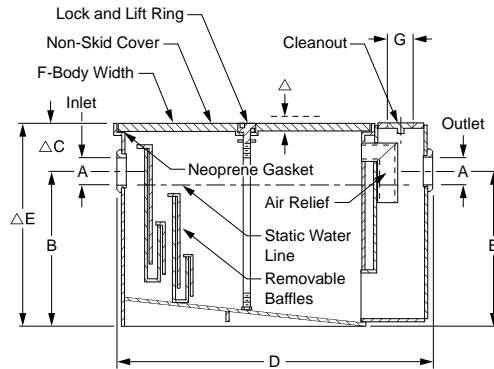


# INTERCEPTORS

## FIG. 8000 SERIES LARGE CAPACITY STEEL GREASE INTERCEPTORS



**FUNCTION:** Used in kitchens, restaurants, institutions and all types of food processing areas where waste water contains grease, fats and oil. Rate of flow into interceptor is controlled by a flow control fitting, thus enabling the interceptor to collect over 90% of the grease which flows into it. "Uni-lock" cover design permits fast cover removal for periodic cleaning. Interceptor may be set on floor, semi-recessed in floor or fully recessed with cover flush with finished floor. Fig. 8100 Series are extra low designs adaptable for use with dishwashers or low roughing sinks.



Side View  
Fig. 8010 Shown

**OPTIONS:**

- E Extension ..... See Fig. 8210-8250 Series
- Y No-Hub Adaptor (2 req'd) ..... See Fig. 2646Y
- Z Enzyme Opening in Cover ..... 95.00

**ADD**



Figs. 8007 thru 8050 carry the Plumbing and Drainage Institute Certification Seal Certifying conformance to Grease Interceptor Standard PDI-G101.

INTERCEPTORS

Δ NOTE: When tile top is specified, add 1". When Terrazzo top is specified, add 1 1/4".

FIGURE NO.	GPM FLOW RATE	GREASE CAP. LBS.	INLET & OUTLET SIZE A	ROUGHING DIM			BODY		C.O PLUG SIZE G	†DUCCO INSIDE AND OUTSIDE	DUCCO W/ARC INSIDE OR OUTSIDE	W/ARC INSIDE AND OUTSIDE	ADD FOR:				
				B	C	D	E HEIGHT	F WIDTH					LIFT OUT SEDIMENT BKT (-B)	H2O COVER	ALUM COVER (-AC)	COVER RECESSED FOR TILE (-TC)/ TERRAZZO (-QC)	APPROX. WT. LBS.
8004	4	8	02"	7 3/4"	3 1/4"	16 3/4"	11"	9"	2"	1,575.00	3,861.00	4,057.00	1,117.00	3,102.00	850.00	-	68
8007	7	14	02"	8 1/2"	3 1/2"	19"	12"	10"	2"	2,189.00	4,519.00	4,722.00	1,117.00	3,474.00	850.00	-	79
8010	10	20	*02"	9 1/2"	3 3/4"	21 1/4"	13"	11 1/2"	2"	2,571.00	5,045.00	5,262.00	1,117.00	3,737.00	850.00	3,202.00	115
8015	15	30	*02"	12"	3 1/2"	25"	15 1/2"	13 1/2"	2"	3,812.00	6,479.00	6,766.00	1,117.00	4,019.00	850.00	3,886.00	120
8020	20	40	*03"	13"	4"	28 1/2"	17"	15 3/4"	2"	4,663.00	7,428.00	7,824.00	1,146.00	4,255.00	1,190.00	4,347.00	125
8025	25	50	*03"	15 1/4"	4 1/2"	30"	19 3/4"	16 3/4"	2"	5,240.00	8,144.00	8,611.00	1,210.00	4,492.00	1,190.00	5,023.00	130
8035	35	70	*03"	16"	5"	32 1/2"	21"	18 1/4"	2"	6,475.00	9,609.00	10,145.00	1,295.00	4,964.00	1,190.00	6,167.00	155
8050	50	100	*03"	17 1/2"	6 3/4"	35 1/2"	24 1/4"	20 3/4"	2"	8,575.00	12,684.00	13,400.00	1,936.00	5,200.00	1,190.00	8,573.00	195
<b>LOW TYPE</b>																	
8120	20	40	*03"	7"	3 1/2"	38 1/2"	10 1/2"	21 3/4"	2"	6,287.00	9,101.00	9,585.00	886.00	-	1,190.00	9,286.00	145
8135	35	70	*03"	7"	4 3/4"	49 1/2"	11 3/4"	27 3/4"	2"	8,095.00	11,324.00	12,041.00	1,219.00	-	1,482.00	12,351.00	222
8150	50	100	*03"	10"	6"	49 1/2"	16"	27 3/4"	2"	13,715.00	18,009.00	18,993.00	1,255.00	-	1,482.00	15,891.00	343

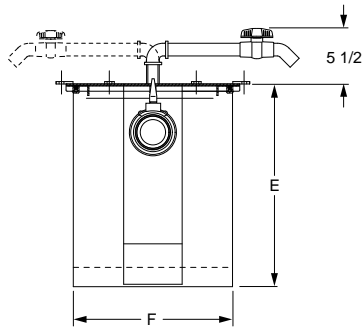
**REGULARLY FURNISHED:** Steel Interceptor with Gray Duco Coating Inside and Outside and Flow Control Fitting.

# INTERCEPTORS

## FIG. 8000GT SERIES STEEL GREASE INTERCEPTORS WITH SEMI-AUTOMATIC DRAW-OFF



**FUNCTION:** Used in all areas where grease, oil and fats must be intercepted and collected. Unique semi-automatic draw-off design permits removal of accumulated grease without cover removal. When specific directions are followed, accumulated grease in liquid form is discharged through the semi-automatic draw-off piping for convenient disposal. This design eliminates the messy cleaning job which must be done in ordinary types of interceptors.

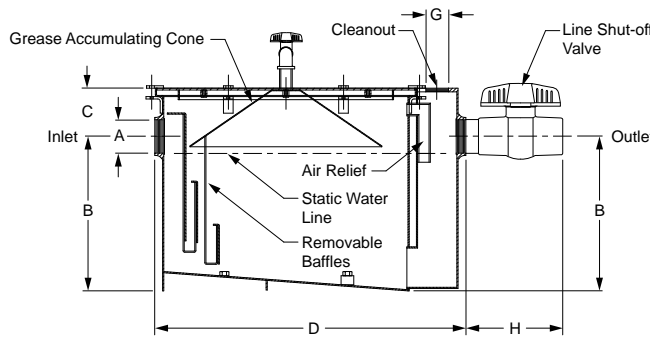


Front View

**OPTIONS:**

- Y With Bronze Line Shut-off Valve.....POA
- No-Hub Adaptor (2 req'd) .....See Fig. 2646Y

**ADD**



Side View  
Fig. 8035GT Shown

FIGURE NO.	GPM FLOW RATE	GREASE CAP. LBS.	INLET & OUTLET SIZE A*	ROUGHING DIM			BODY		C.O PLUG SIZE G	LINE SHUT-OFF VALVE H	†DUCO COAT INSIDE AND OUTSIDE	ARC INSIDE OR OUTSIDE	ARC INSIDE AND OUTSIDE	APPROX. WT. LBS.
				B	C	D	E HEIGHT	F WIDTH						
8007GT	07	14	02"	8 1/2"	3 1/4"	19"	12"	10 3/4"	2"	6 3/4"	5,598.00	8,340.00	10,820.00	95
8010GT	10	20	02"	9 1/2"	3 3/4"	21 1/4"	13 1/4"	13"	2"	6 3/4"	6,621.00	9,418.00	11,950.00	110
8015GT	15	30	02"	12"	3 1/2"	25"	15 1/2"	14"	2"	6 3/4"	7,053.00	10,283.00	12,973.00	145
8020GT	20	40	03"	13"	4"	28 1/2"	17"	15 3/4"	2"	10"	9,068.00	12,819.00	15,773.00	130
8025GT	25	50	03"	15 1/4"	4 1/2"	30"	19 3/4"	16 3/4"	2"	10"	10,519.00	14,420.00	17,581.00	150
8035GT	35	70	03"	16"	5"	32 1/2"	21"	18 1/4"	2"	10"	10,791.00	14,832.00	18,201.00	180
8050GT	50	100	03"	17 1/2"	6 3/4"	35 1/2"	24 1/4"	20 3/4"	2"	10"	12,320.00	16,563.00	20,234.00	205
8075GT	75	150	04"	21 1/2"	15 1/2"	50"	37"	30 1/2"	3"	12 3/4"	14,656.00	18,333.00	23,158.00	250
<b>LOW TYPE</b>														
8120GT	20	40	03"	7"	3 1/2"	38 1/2"	10 1/2"	21 3/4"	2"	10"	10,460.00	14,291.00	17,591.00	140
8135GT	35	70	03"	7"	4 3/4"	49 1/2"	11 3/4"	27 3/4"	2"	10"	14,746.00	18,972.00	22,524.00	188
8150GT	50	100	03"	10"	6"	49 1/2"	16"	27 3/4"	2"	10"	18,089.00	22,691.00	27,593.00	213

\*Available with larger inlet and outlet when specified. (Call for pricing)

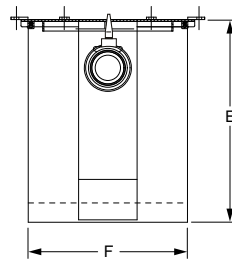
**REGULARLY FURNISHED:** Steel Interceptor with Gray Duco Coating Inside and Outside with Steel Cone Draw-off Piping and Valve Line Shut-off Valve and Flow Control Fitting.

# INTERCEPTORS

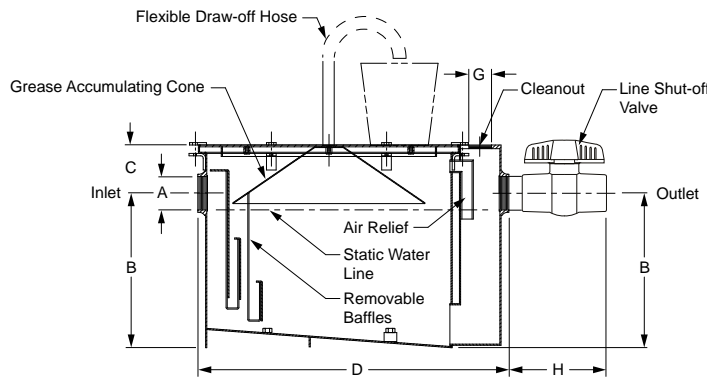
## FIG. 8000GTX SERIES STEEL GREASE INTERCEPTORS W/SEMI-AUTOMATIC DRAW-OFF FOR RECESSED INSTALLATION



**FUNCTION:** Used in kitchens, restaurants, institutions and all types of food processing areas where grease must be intercepted. This type of interceptor is of the same design as the Fig. 8000GT Series, which permits semi-automatic grease removal without removing the cover. The Fig. 8000GTX Series is designed for recessed installation; therefore, the conventional draw-off piping is not included, a flexible removable draw-off hose is used.



Front View



Side View

**OPTIONS:**

- Y With Bronze Line Shut-off Valve.....POA
- Y No-Hub Adaptor (2 req'd) .....See Fig. 2646Y

**ADD**

POA

See Fig. 2646Y

INTERCEPTORS

FIGURE NO.	GPM FLOW RATE	GREASE CAP. LBS.	INLET & OUTLET SIZE A*	ROUGHING DIM			BODY		C.O PLUG SIZE G	LINE SHUT-OFF VALVE H	†DUCO COAT INSIDE AND OUTSIDE	ARC INSIDE OR OUTSIDE	ARC INSIDE AND OUTSIDE	APPROX. WT. LBS.
				B	C	D	E HEIGHT	F WIDTH						
8007GTX	07	14	02"	8 1/2"	3 1/4"	19"	12"	10 3/4"	2"	6 3/4"	5,598.00	8,340.00	10,820.00	95
8010GTX	10	20	02"	9 1/2"	3 3/4"	21 1/4"	13 1/4"	13"	2"	6 3/4"	6,621.00	9,418.00	11,950.00	110
8015GTX	15	30	02"	12"	3 1/2"	25"	15 1/2"	14"	2"	6 3/4"	7,053.00	10,283.00	12,973.00	145
8020GTX	20	40	03"	13"	4"	28 1/2"	17"	15 3/4"	2"	10"	9,068.00	12,819.00	15,773.00	130
8025GTX	25	50	03"	15 1/4"	4 1/2"	30"	19 3/4"	16 3/4"	2"	10"	10,519.00	14,420.00	17,581.00	150
8035GTX	35	70	03"	16"	5"	32 1/2"	21"	18 1/4"	2"	10"	10,791.00	14,832.00	18,201.00	180
8050GTX	50	100	03"	17 1/2"	6 3/4"	35 1/2"	24 1/4"	20 3/4"	2"	10"	12,320.00	16,563.00	20,234.00	205
8075GTX	75	150	04"	21 1/2"	15 1/2"	50"	37"	30 1/2"	3"	12 3/4"	14,656.00	18,333.00	23,158.00	250
<b>LOW TYPE</b>														
8120GTX	20	40	03"	7"	3 1/2"	38 1/2"	10 1/2"	21 3/4"	2"	10"	10,460.00	14,291.00	17,591.00	140
8135GTX	35	70	03"	7"	4 3/4"	49 1/2"	11 3/4"	27 3/4"	2"	10"	14,746.00	18,972.00	22,524.00	188
8150GTX	50	100	03"	10"	6"	49 1/2"	16"	27 3/4"	2"	10"	18,089.00	22,691.00	27,593.00	213

\*Available with larger inlet and outlet when specified. (Call for pricing)

**REGULARLY FURNISHED:** Steel Interceptor with Gray Duco Coating Inside and Outside with Steel Cone, Draw-off Hose and Cap, Line Shut-off Valve and Flow Control Fitting.

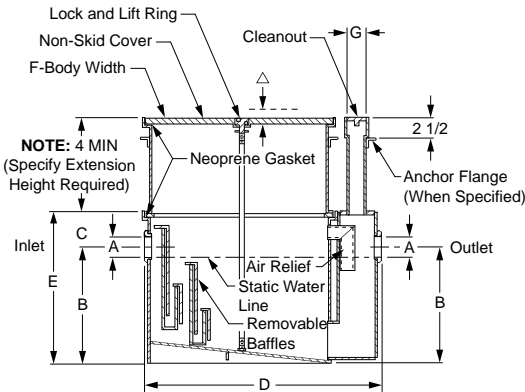
# INTERCEPTORS

## FIG. 8200 SERIES STEEL GREASE INTERCEPTORS WITH EXTENSION\*\*

SMITH®



**FUNCTION:** Used in kitchens, restaurants, institutions and all types of food processing areas where waste water contains grease, fats and oils which must be intercepted and collected before entering the drainage system. Interceptors with extensions are installed recessed in the floor with cover flush with finished floor. Extension provides additional roughing depth from top of interceptor to center line of inlet and outlet. Extension should not be used as a means for supporting the assembly. The entire interceptor body and extension must rest on solid ground or suitable support hangers.



Side View

**OPTIONS:**

- Y No-Hub Adaptor (2 req'd) ..... See Fig. 2646Y
- Z Enzyme Opening in Cover ..... 95.00

**ADD**

△NOTE: When tile top is specified, add 1".  
When Terrazzo top is specified, add 1 1/4".



Figs. 8210 thru 8250 carry the Plumbing and Drainage Institute Certification Seal Certifying conformance to Grease Interceptor Standard PDI-G101.

FIGURE NO.	GPM FLOW RATE	GREASE CAP. LBS.	INLET & OUTLET SIZE A	ROUGHING DIM			BODY		C.O PLUG SIZE G	W/4 TO 6" EXTENSION †DUCCO INSIDE AND OUTSIDE	ADD FOR:							
				B	C	D	E HEIGHT	F WIDTH			EACH 1" OF EXTENSION OVER 6"	ANCHOR FLANGE (-F)	FLASHING FLANGE AND CLAMP (-F-C)	LIFT OUT SEDIMENT BKT (-B)	H2O COVER	ALUM COVER (-AC)	COVER RECESSED FOR TILE (-TC)/ TERRAZO (-QC)	APPROX. WT. LBS.
8210	10	20	02"	9 1/2"	3 3/4"	21 1/4"	13 1/4"	11 1/2"	2"	5,442.00	143.00	895.00	1,078.00	1,117.00	3,737.00	850.00	3,202.00	180
*8215	15	30	02"	12"	3 1/2"	25"	15 1/2"	13 1/2"	2"	6,765.00	161.00	895.00	1,078.00	1,117.00	4,019.00	850.00	3,886.00	184
*8220	20	40	03"	13"	4"	28 1/2"	17"	15 3/4"	2"	7,617.00	182.00	968.00	1,150.00	1,143.00	4,255.00	1,190.00	4,347.00	211
*8225	25	50	03"	15 1/4"	4 1/2"	30"	19 3/4"	16 3/4"	2"	8,384.00	207.00	1,007.00	1,202.00	1,210.00	4,492.00	1,190.00	5,023.00	230
*8235	35	70	03"	16"	5"	32 1/2"	21"	18 1/4"	2"	10,003.00	227.00	1,056.00	1,252.00	1,295.00	4,964.00	1,190.00	6,167.00	265
*8250	50	100	03"	17 1/2"	6 3/4"	35 1/2"	24 1/4"	20 3/4"	2"	12,390.00	264.00	1,078.00	1,418.00	1,936.00	5,200.00	1,190.00	8,573.00	289

\*Available with one size larger inlet and outlet when specified. No charge  
Specify Extension height when ordering, measuring from top of interceptor to top of extension.

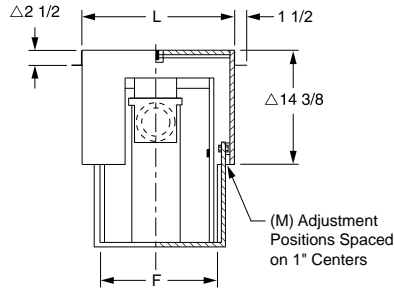
**REGULARLY FURNISHED:** Steel Interceptor and Extension with Gray Duco Coating Inside and Outside and Flow Control Fitting.

# INTERCEPTORS

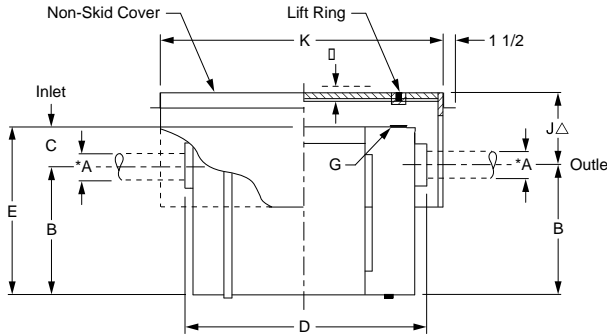
## FIG. 8300 SERIES STEEL GREASE INTERCEPTORS WITH RECEIVING CRADLE



**FUNCTION:** The all steel receiving cradle provides positive support for the interceptor and vertical adjustability for the inlet and outlet connections to meet the drainage piping. The receiving cradle can be set in the slab at the time of pouring or set in a pre-sleeved opening in the rough slab. The cradle is secured and suspended in the rough slab by its anchoring flange. The interceptor is lowered into the receiving cradle and adjusted to the elevation of the drainage piping. Interceptor is readily accessible for cleaning and inspection simply by removing the cradle cover which sits flush with floor. The cradle supports the interceptor and has no provisions for waterproofing the interceptor in relation to the cradle and ceiling below.



Front View



Side View  
Fig. 8335 Shown

**OPTIONS:**

- AC Aluminum Cover on Interceptor ..... POA
- ACC Aluminum Cover on Cradle ..... POA
- Y No-Hub Adaptor (2 req'd) ..... See Fig. 2646Y

**ADD**

▲NOTE: When tile top is specified, add 1".  
When Terrazzo top is specified, add 1 1/4".



Figs. 8007 thru 8050 carry the Plumbing and Drainage Institute Certification Seal Certifying conformance to Grease Interceptor Standard PDI-G101.

INTERCEPTORS

FIGURE NO.	GPM FLOW RATE	GREASE CAP. LBS.	INLET & OUTLET SIZE A	ROUGHING DIM			BODY		C.O. PLUG SIZE G	CRADLE DIM					†DUCO COAT INSIDE AND OUTSIDE	INTERC. ▲ w/ARC IN OR OUT -ARI	INTERC. ▲ w/ARC IN AND OUT -ARIO	ADD FOR:			
				B	C	D	E HEIGHT	F WIDTH		J▲ MIN	K MAX	L LENGTH	M WIDTH	▲ -ARC (CRADLE)				LIFT OUT BKT (-B)	DRIP PAN (-W)	APPROX. WT. LBS.	
8304	4	8	02"	7 3/4"	3 1/4"	16 3/4"	11"	10"	2"	6 3/4"	17 3/4"	27 1/4"	19 1/4"	12"	5,197.00	7,483.00	7,679.00	1,713.00	1,117.00	519.00	170
8307	7	14	02"	8 1/2"	3 1/2"	19"	12"	10 3/4"	2"	7"	17"	27 1/4"	19 1/4"	12"	6,337.00	8,667.00	8,870.00	1,713.00	1,117.00	635.00	180
8310	10	20	02"	9 1/2"	3 3/4"	21 1/4"	13 1/4"	13"	2"	7"	16"	27 1/4"	19 1/4"	12"	6,892.00	9,366.00	9,583.00	1,713.00	1,117.00	688.00	215
8315	15	30	02"	12"	3 1/2"	25"	15 1/2"	14"	2"	7 1/2"	18 1/2"	34 3/4"	22 3/4"	13"	8,440.00	11,107.00	11,394.00	1,713.00	1,117.00	811.00	270
8320	20	40	03"	13"	4"	28 1/2"	17"	15 3/4"	2"	7 1/2"	17 1/2"	34 3/4"	22 3/4"	13"	9,590.00	12,355.00	12,751.00	1,713.00	1,146.00	958.00	290
8325	25	50	03"	15 1/4"	4 1/2"	30"	19 3/4"	16 3/4"	2"	7 1/2"	19 1/2"	41 3/4"	28 1/4"	13"	10,292.00	13,196.00	13,663.00	2,474.00	1,210.00	1,029.00	320
*8335	35	70	03"	16"	5"	32 1/2"	21"	18 1/4"	2"	8 1/4"	18 3/4"	41 3/4"	28 1/4"	13"	11,753.00	14,887.00	15,423.00	2,474.00	1,295.00	1,353.00	345
*8350	50	100	03"	17 1/2"	6 3/4"	35 1/2"	24 1/4"	20 3/4"	2"	10 1/4"	17 1/4"	41 3/4"	28 1/4"	13"	14,149.00	18,258.00	18,974.00	2,474.00	1,936.00	1,413.00	410

\*Available with one size larger inlet and outlet when specified. No charge.  
 †Acid Resistant Coating on Interceptor only  
 ▲ When Acid Resistant Coating on Cradle is needed, -ARC must also be specified.

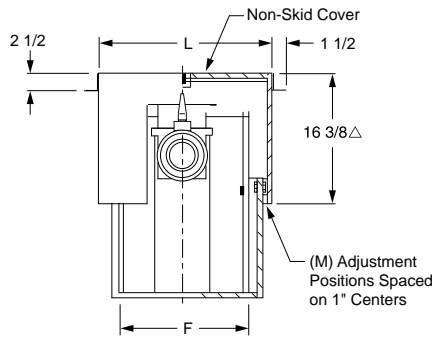
**REGULARLY FURNISHED:** Steel Interceptor and Receiving Cradle with Gray Duco Coating Inside and Outside and Flow Control Fitting.

# INTERCEPTORS

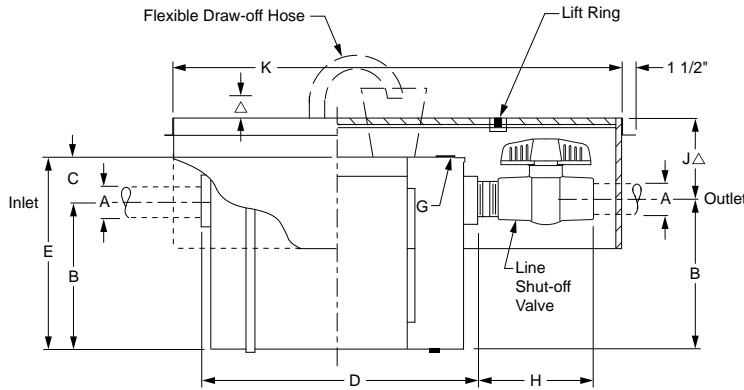
## FIG. 8300GT SER. STEEL GREASE INTERCEPTORS W/SEMI-AUTOMATIC DRAW-OFF & RECEIVING CRADLE



**FUNCTION:** The all steel receiving cradle provides positive support for the interceptor and vertical adjustability for the inlet and outlet connections to meet the drainage piping. The receiving cradle can be set in the slab at the time of pouring or set in a pre-sleeved opening in the rough slab. The cradle is secured and suspended in the rough slab by its anchoring flange. The semi-automatic draw-off type grease interceptor is lowered into the receiver cradle and adjusted to the elevation of the drainage piping. The interceptor, line shut-off valve and flexible grease draw-off hose are readily accessible for cleaning and inspection simply by removing the cradle cover which sits flush with the floor. The cradle supports the interceptor and has no provisions for waterproofing the interceptor in relation to the cradle and ceiling below.



Front View



Side View  
Fig. 8335GT Shown

Δ NOTE: When tile top is specified, add 1". When Terrazzo top is specified, add 1 1/4".

**OPTIONS:**

- AC Aluminum Cover on Interceptor .....POA
- ACC Aluminum Cover on Cradle.....POA
- Y No-Hub Adaptor (2 req'd) ..... See Fig. 2646Y
- With Bronze Line Shut-off Valve.....POA

**ADD**

FIGURE NO.	GPM FLOW RATE	GREASE CAP. LBS.	INLET & OUTLET SIZE A*	ROUGHING DIM			BODY			C.O. PLUG SIZE G	LINE SHUT-OFF VALVE H	CRADLE DIM			†DUCO COAT INSIDE AND OUTSIDE M	INTERC. *▲w/ARC IN OR OUT -ARI	INTERC. *▲w/ARC IN AND OUT -ARIO	ADD FOR:		APPROX. WT. LBS.	
				B	C	D	E HEIGHT	F WIDTH	J Δ MIN			MAX	**K LENGTH	L WIDTH				▲ -ARC (CRADLE)	DRIP PAN (-W)		
8307GT	7	14	02"	8 1/2"	3 1/2"	19"	12"	10 3/4"	2"	6 3/4"	8"	19"	38 1/4"	19 1/4"	12"	10,100.00	12,842.00	15,322.00	2,143.00	1,012.00	180
8310GT	10	20	02"	9 1/2"	3 3/4"	21 1/4"	13 1/4"	13"	2"	6 3/4"	7"	18"	38 1/4"	19 1/4"	12"	11,847.00	14,644.00	17,176.00	2,143.00	1,034.00	215
8315GT	15	30	02"	12"	3 1/2"	25"	15 1/2"	14"	2"	6 3/4"	8 1/2"	20 1/2"	42 3/4"	22 3/4"	13"	12,864.00	16,093.00	18,783.00	2,143.00	1,158.00	245
8320GT	20	40	03"	13"	4"	28 1/2"	17"	15 3/4"	2"	10"	7 1/2"	19 1/2"	42 3/4"	22 3/4"	13"	14,973.00	18,724.00	21,678.00	2,143.00	1,308.00	312
8325GT	25	50	03"	15 1/4"	4 1/2"	30"	19 3/4"	16 3/4"	2"	10"	9 1/2"	21 1/2"	47 3/4"	25 3/4"	13"	16,531.00	20,432.00	23,593.00	3,096.00	1,480.00	386
8335GT	35	70	03"	16"	5"	32 1/2"	21"	18 1/4"	2"	10"	8 3/4"	20 3/4"	47 3/4"	25 3/4"	13"	17,220.00	21,261.00	24,630.00	3,096.00	1,608.00	325
8350GT	50	100	03"	17 1/2"	6 3/4"	35 1/2"	24 1/4"	20 3/4"	2"	10"	10 1/4"	19 1/4"	50 3/4"	28 1/4"	13"	18,808.00	23,051.00	26,722.00	3,096.00	1,822.00	362
8375GT	75	150	04"	21 1/2"	15 1/2"	50"	37"	30 1/2"	3"	12 3/4"	16"	25"	66 1/2"	38 1/4"	13"	22,539.00	26,216.00	31,041.00	3,096.00	2,342.00	419

\*Acid Resistant Coating on Interceptor only

\*\*When specifying a larger Inlet & Outlet size, the "K" dimension must be increased.

▲ When Acid Resistant Coating on Cradle is needed, -ARC must also be specified.

**REGULARLY FURNISHED:** Fabricated Steel Interceptor and Receiving Cradle with Gray Duco Coating Inside and Outside with Steel Cone, Flexible Draw-off Hose and Cap, Line Shut-off Valve and Flow Control Fitting.

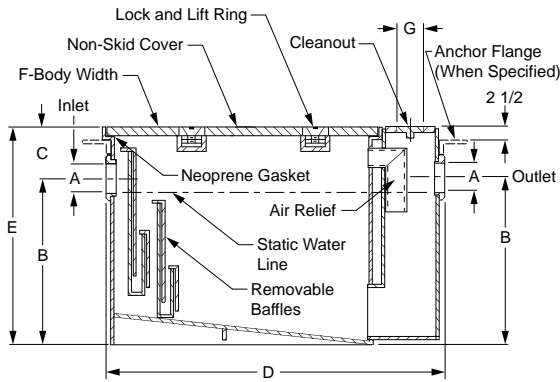
# INTERCEPTORS

## FIG. 8400 SERIES LARGE CAPACITY STEEL GREASE INTERCEPTORS

SMITH®



**FUNCTION:** Used in large kitchens or institutions where there is an anticipated high rate of discharge of grease and oil laden waste from the fixtures. Large fabricated steel units available from 75 to 500 gallons per minute are most adaptable to industrial applications such as food processing and packaging plants.



Side View  
Fig. 8450 Shown

**OPTIONS:**

- AC Aluminum Cover on Interceptor ..... POA
- Y No-Hub Adaptor (2 req'd) ..... See Fig. 2646Y
- Inlet & Outlet, One Size Larger ..... 438.00

**ADD**



▲ Fig. 8450 carries the Plumbing and Drainage Institute Certification Seal Certifying conformance to Grease Interceptor Standard PDI-G101.

INTERCEPTORS

FIGURE NO.	GPM FLOW RATE	GREASE CAP. LBS.	INLET & OUTLET SIZE A	ROUGHING DIM			BODY		C.O. PLUG SIZE G	†DUCO COAT	ADD FOR:				APPROX. WT. LBS.
				B	C	D	E HEIGHT	F WIDTH			H2O COVER	ANCHOR FLANGE (-F)	FLASHING FLANGE AND CLAMP (-FC)	SEDIMENT BKT (-B)	
▲8450	75	150	04"	21 1/2"	15 1/2"	50"	37"	30 1/2"	3"	17,280.00	5,490.00	1,261.00	2,290.00	2,130.00	400
8460	100	200	04"	27"	16 1/2"	54"	43 1/2"	33 1/2"	3"	19,445.00	7,555.00	1,410.00	2,562.00	2,325.00	600
8465	150	300	05"	33"	17 1/2"	60 3/4"	50 1/2"	38 1/2"	4"	21,599.00	9,700.00	1,970.00	3,173.00	2,439.00	750
8470	200	400	05"	37"	17 1/2"	67 3/4"	54 1/2"	43 1/2"	4"	31,322.00	11,064.00	2,112.00	3,706.00	2,563.00	1,200
8475	250	500	05"	40"	18"	73 3/4"	58"	47 1/2"	4"	36,469.00	15,273.00	2,814.00	5,000.00	2,705.00	1,500
8480	350	700	05"	43 1/2"	18"	85 3/4"	61 1/2"	54 1/2"	4"	47,742.00	23,119.00	3,560.00	5,978.00	3,414.00	1,900
8490	500	1000	06"	48"	18"	103 1/4"	66"	64 1/2"	5"	62,256.00	32,533.00	4,226.00	7,109.00	4,050.00	2,400

**REGULARLY FURNISHED:** Steel Interceptor with Gray Duco Coating Inside and Outside and Flow Control Fitting.

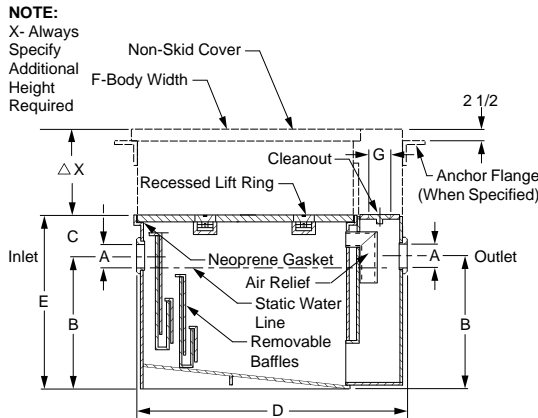
# INTERCEPTORS

## FIG. 8400E SERIES LARGE CAPACITY STEEL GREASE INTERCEPTORS W/INTEGRAL EXTENSION\*\*

SMITH®



**FUNCTION:** Used in large kitchens or institutions where there is an anticipated high rate of discharge of grease and oil laden waste from the fixtures. Large fabricated steel units available from 75 to 500 gallons per minute are most adaptable to industrial applications such as food processing and packaging plants. Integral extension permits a greater dimension from center line of inlet and outlet to finished floor level to accommodate deeper roughing conditions. "X" dimension should always be specified when ordering.



Side View  
Fig. 8450E Shown

**OPTIONS:**

-AC	Aluminum Cover on Interceptor .....	POA
Y	No-Hub Adaptor (2 req'd) .....	See Fig. 2646Y
	Inlet & Outlet, One Size Larger .....	438.00

**ADD**



▲Fig. 8450E carries the Plumbing and Drainage Institute Certification Seal Certifying conformance to Grease Interceptor Standard PDI-G101.

FIGURE NO.	GPM FLOW RATE	GREASE CAP. LBS.	INLET & OUTLET SIZE A	ROUGHING DIM			BODY		C.O. PLUG SIZE G	†Δ DUCO COAT W/ UP TO 10" EXT.	ADD FOR:					APPROX. WT. LBS.
				B	C	D	E HEIGHT	F WIDTH			EACH ADDITIONAL 1" OF EXT.	H2O COVER	ANCHOR FLANGE (-F)	FLASHING FLANGE AND CLAMP (-FC)	SEDIMENT BKT (-B)	
▲8450E	75	150	04"	21 1/2"	15 1/2"	50"	37"	30 1/2"	3"	19,331.00	161.00	5,490.00	1,261.00	2,290.00	2,130.00	500
8460E	100	200	04"	27"	16 1/2"	54"	43 1/2"	33 1/2"	3"	21,750.00	172.00	7,555.00	1,410.00	2,562.00	2,325.00	720
8465E	150	300	05"	33"	17 1/2"	60 3/4"	50 1/2"	38 1/2"	4"	24,163.00	197.00	9,700.00	1,970.00	3,173.00	2,439.00	885
8470E	200	400	05"	37"	17 1/2"	67 3/4"	54 1/2"	43 1/2"	4"	35,938.00	207.00	11,064.00	2,112.00	3,706.00	2,563.00	1,355
8475E	250	500	05"	40"	18"	73 3/4"	58"	47 1/2"	4"	42,205.00	227.00	15,273.00	2,814.00	5,000.00	2,705.00	1,670
8480E	350	700	05"	43 1/2"	18"	85 3/4"	61 1/2"	54 1/2"	4"	55,704.00	286.00	23,119.00	3,560.00	5,978.00	3,414.00	2,105
8490E	500	1000	06"	48"	18"	103 1/4"	66"	64 1/2"	5"	74,225.00	342.00	32,533.00	4,226.00	7,109.00	4,050.00	2,635

Δ Specify Extension Height when ordering, measuring from top of interceptor to top of extension.

**REGULARLY FURNISHED:** Steel Interceptor with Gray Duco Coating Inside and Outside and Flow Control Fitting. Extension Height as Specified.

# INTERCEPTORS

## FIG. 8510, 8510E SERIES STEEL OIL INTERCEPTORS



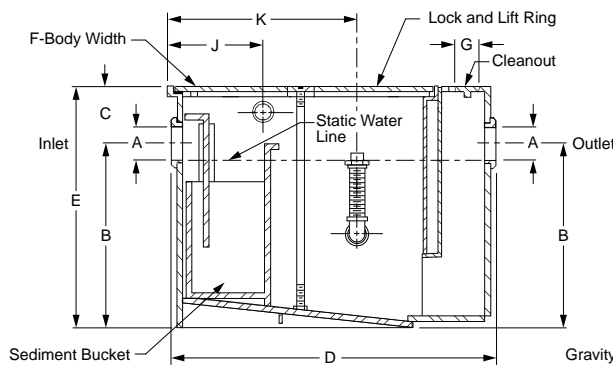
**FUNCTION:** Fig. 8510, Used in service stations, parking garages, and industrial plants where discharged water contains oil and sediment. Interceptor collects oil and conveniently permits the collected oil to be drained to a storage tank by means of an adjustable gravity draw-off connection. Sediment and chips are collected in sediment bucket and should be periodically removed. Interceptors should not be located directly in traffic areas. If required, specify extra heavy duty traffic cover.

Fig. 8510E, Interceptors with extensions are installed recessed in the floor with cover flush with finished floor. Extension provides additional roughing depth from top of interceptor to centerline of inlet and outlet. Extension should not be used as a means for supporting the assembly. The entire interceptor body and extension must rest on solid ground or suitable support hangers.

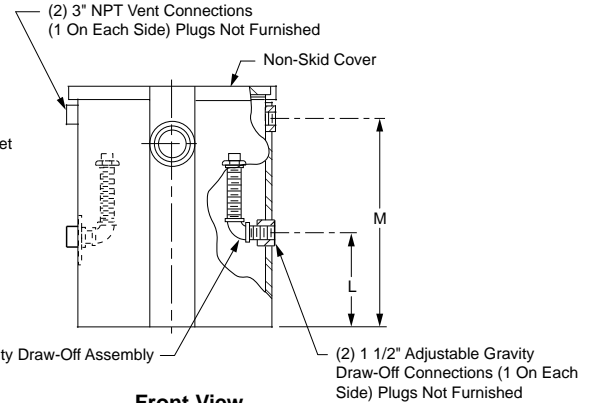
**OPTIONS:**

- Y No-Hub Adaptor (4 req'd) ..... See Fig. 2646Y
- \*Inlet & Outlet, One Size Larger ..... /N/C

**ADD**

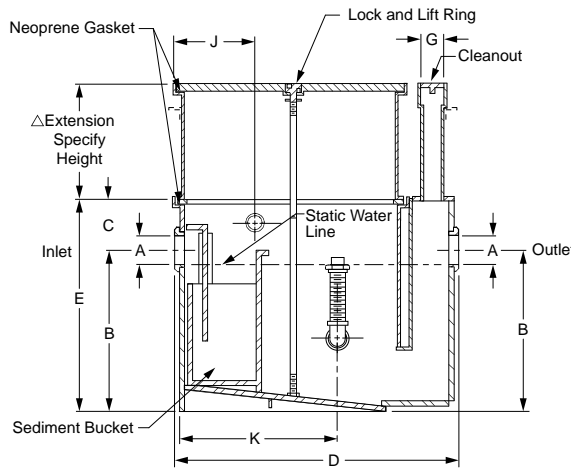


Side View

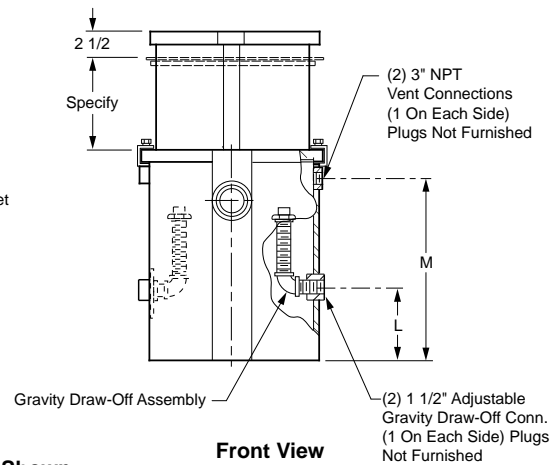


Front View

Fig. 8510 Shown



Side View



Front View

Fig. 8510E Shown

FIG. NO.	GPM FLOW RATE	INLET & OUTLET SIZE A	ROUGHING DIM				BODY		C.O. PLUG SIZE G	J	K	L	M	†STEEL DUCO COATED	INTERC. Δ WITH 4 TO 6" EXT (-E) DUCO COATED	ADD FOR:					APPROX. WT. LBS.
			B	C	D	E HEIGHT	F WIDTH	EA 1" EXT OVER 6"								ANCHOR FLANGE (-F) (W/EXT ONLY)	FLANGE AND FLASH CLAMP (-FC) (W/EXT ONLY)	H2O COVER	ALUM COVER (-AC)		
8510	10	02"	9 1/2"	3 3/4"	21 1/4"	13 1/4"	11 1/2"	2"	9 1/2"	12"	4"	9 3/4"	3,794.00	6,665.00	143.00	895.00	1,078.00	3,737.00	850.00	100	
8515	15	*02"	12"	3 1/2"	25"	15 1/2"	13 1/2"	2"	10 1/4"	14 1/4"	5 3/4"	12"	5,034.00	7,988.00	161.00	895.00	1,078.00	4,019.00	850.00	110	
8520	20	*03"	13"	4"	28 1/2"	17"	15 3/4"	2"	12"	16 1/2"	4 1/2"	13 1/2"	5,914.00	8,868.00	182.00	968.00	1,150.00	4,255.00	1,190.00	125	
8525	25	*03"	15 1/4"	4 1/2"	30"	19 3/4"	16 3/4"	2"	12 3/4"	18 3/4"	6 1/4"	16 1/4"	6,557.00	9,704.00	207.00	1,007.00	1,202.00	4,492.00	1,190.00	145	
8535	35	*03"	16"	5"	32 1/2"	21"	18 1/4"	2"	14 1/2"	21 1/4"	7"	17 1/2"	7,876.00	11,404.00	227.00	1,056.00	1,252.00	4,964.00	1,190.00	175	
8550	50	*03"	17 1/2"	6 3/4"	35 1/2"	24 1/4"	20 3/4"	2"	16"	22"	7 1/2"	20 3/4"	10,619.00	14,433.00	264.00	1,078.00	1,418.00	5,200.00	1,190.00	215	

\*Available with larger inlet and outlet when specified.

Δ Specify Extension Height when ordering, measuring from top of interceptor to top of extension.

**REGULARLY FURNISHED:** Fig. 8510, Steel Interceptor with Gray Duco Coating Inside and Outside and Flow Control Fitting.

Fig. 8510E, Steel Interceptor and Extension with Gray Duco Coating Inside and Outside and Flow Control Fitting.

INTERCEPTORS

# INTERCEPTORS

## FIG. 8560, 8560E SERIES LARGE CAPACITY STEEL OIL INTERCEPTORS



**FUNCTION:** Large capacity oil interceptors are used in large garages, service areas and industrial plants where waste laden with oil and sediment must be intercepted. The intercepted oils are drawn off by gravity to a storage tank or container. Any sediment which is included in the discharge is collected in a large sediment bucket and periodically removed. Interceptors should not be located directly in traffic areas. If required, specify extra heavy duty traffic cover.



### OPTIONS:

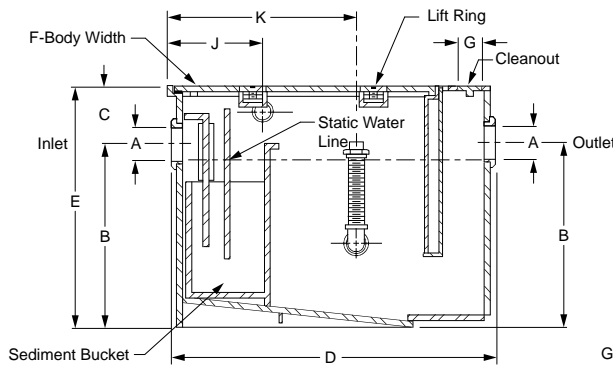
- AC Aluminum Cover on Interceptor ..... POA
- Y No-Hub Adaptor (4 req'd) ..... See Fig. 2646Y
- \*Inlet & Outlet, One Size Larger..... 438.00

### ADD

POA

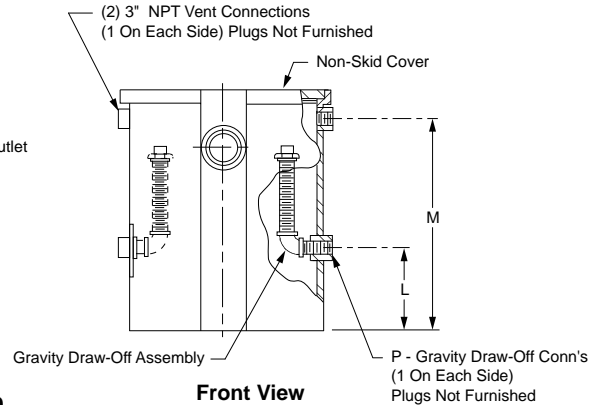
See Fig. 2646Y

438.00

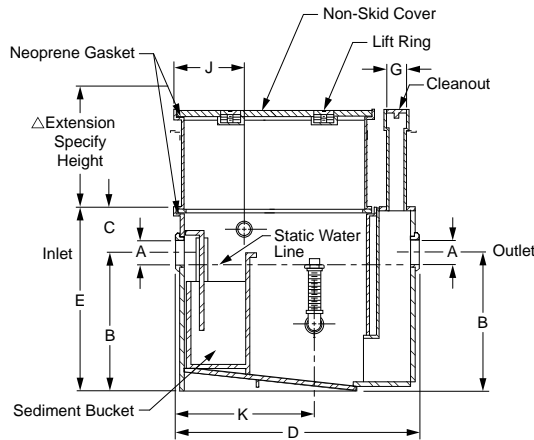


Side View

Fig. 8560

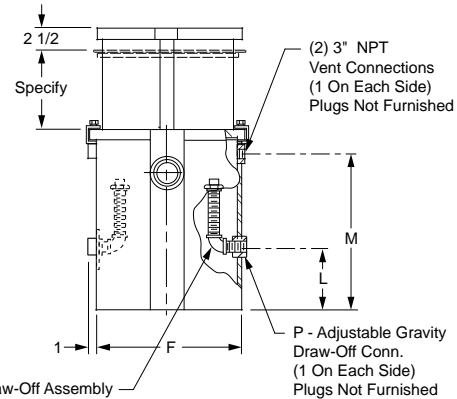


Front View



Side View

Fig. 8560E



Front View

FIGURE NO.	GPM FLOW RATE	INLET & OUTLET SIZE *A	ROUGHING DIM			BODY		C.O. PLUG SIZE G	J	K	L	M	DRAW-OFF P	†STEEL DUCO COATED	ADD FOR:					APPROX. WT. LBS.
			B	C	D	E HEIGHT	F WIDTH								INTERC. Δ WITH UP TO 10" EXT. (-E)	EA 1" EXT. OVER 10"	H2O COVER	ANCHOR FLANGE (-F) (W/EXT ONLY)	FLANGE AND FLASH CLAMP (-FC) (W/EXT ONLY)	
8560	75	04"	21 1/2"	15 1/2"	50 3/4"	37"	30 1/2"	3"	21"	28 1/4"	13"	32 3/4"	2"	19,516.00	21,567.00	161.00	5,490.00	1,261.00	2,290.00	470
8565	100	04"	27"	16 1/2"	54 3/4"	43 1/2"	33 1/2"	3"	23"	30 1/4"	18 1/2"	39 1/4"	2"	21,877.00	24,182.00	172.00	7,555.00	1,410.00	2,562.00	690
8570	150	05"	33"	17 1/2"	60 3/4"	50 1/2"	38 1/2"	4"	25 1/2"	34 1/4"	23 1/2"	46 1/4"	2 1/2"	24,147.00	26,711.00	197.00	9,700.00	1,970.00	3,173.00	860
8575	200	05"	37"	17 1/2"	67 3/4"	54 1/2"	43 1/2"	4"	29"	38 1/4"	27 1/2"	50 1/4"	2 1/2"	33,993.00	38,609.00	207.00	11,064.00	2,112.00	3,706.00	1,310
8580	250	05"	40"	18"	73 3/4"	58"	47 1/2"	4"	32"	42 1/4"	30 1/2"	53 3/4"	2 1/2"	39,280.00	45,016.00	227.00	15,273.00	2,814.00	5,000.00	1,620
8585	350	05"	43 1/2"	18"	85 3/4"	61 1/2"	54 1/2"	4"	38"	50 1/4"	34"	57 1/4"	2 1/2"	51,265.00	59,227.00	286.00	23,119.00	3,560.00	5,978.00	2,030
8590	500	06"	48"	18"	103 1/4"	66"	64 1/2"	5"	46"	62 1/4"	38"	61 3/4"	2 1/2"	66,415.00	78,384.00	342.00	32,533.00	4,226.00	7,109.00	2,540

\*Available with larger inlet and outlet when specified.

Δ Specify Extension Height when ordering, measuring from top of interceptor to top of extension.

**REGULARLY FURNISHED:** Steel Interceptor with Gray Duco Coating Inside and Outside and Flow Control Fitting.

# INTERCEPTORS

## FIG. 8599 SERIES OIL INTERCEPTORS WITH INTEGRAL STORAGE COMPARTMENT

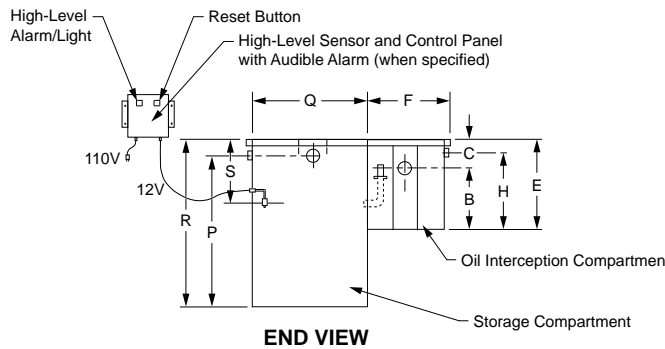
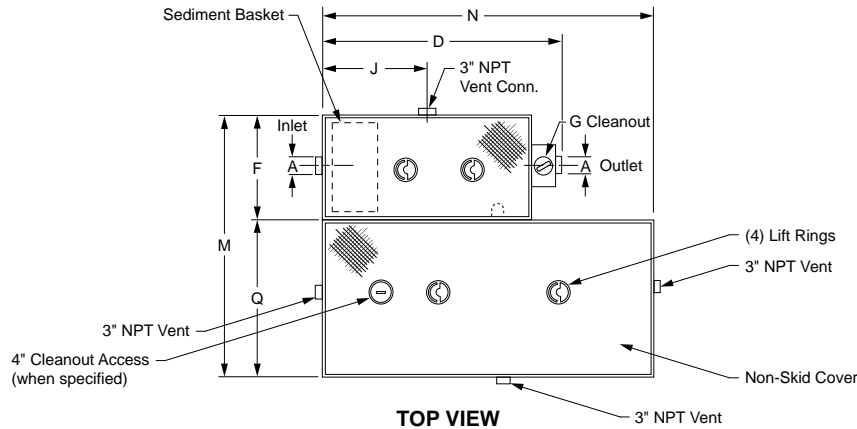


**FUNCTION:** Used in service stations, parking garages and industrial plants where discharged water contains oil and sediment. Interceptor collects oil and conveniently permits the collected oil to be drained to the integral storage compartment by means of an adjustable gravity draw-off connection. Sediment and chips are collected in the sediment bucket and should be periodically removed. Interceptors should not be located directly in traffic areas. If required specify traffic rated cover.



**OPTIONS:**

-CBS	High Level Sensor and Control Panel .....	ADD
-DWC	Double Wall Containment (Note 1) .....	POA
-H2O	Traffic Rated Cover .....	POA
	4" Cleanout Access .....	POA
	Coal Tar Inside .....	POA



**NOTES:**

1. When double wall containment is specified, the overall dimensions change. Consult the factory for the double wall dimensions.
2. Interceptor shall be vented on outlet side per local code requirements.

MODEL NUMBER	OIL INTERCEPTOR COMPARTMENT										STORAGE TANK COMPARTMENT							†FAB STEEL DUCO COATED
	GPM	*A	B	C	D	E	F	G	H	J	GALS. CAP.	M	N	P	Q	R	S	
● 8599-10-5	10	02"	9 1/2"	3 3/4"	21 1/4"	13 1/4"	13"	2"	9 3/4"	9 1/2"	5	24"	21 1/4"	10 1/4"	11"	13 1/4"	9 1/4"	POA
8599-10-50	10	02"	9 1/2"	3 3/4"	21 1/4"	13 1/4"	13"	2"	9 3/4"	9 1/2"	50	25"	30"	50 3/4"	12"	55"	9 1/4"	POA
8599-15-50	15	02"	12"	3 1/2"	25"	15 1/2"	14"	2"	12"	10 1/4"	50	26"	30"	50 3/4"	12"	55"	9 3/4"	POA
8599-20-50	20	03"	13"	4"	28 1/2"	17"	15 3/4"	2"	13 1/2"	12"	50	27 3/4"	30"	50 3/4"	12"	55"	12 1/2"	POA
8599-25-100	25	03"	15 1/4"	4 1/2"	30"	19 3/4"	16 3/4"	2"	16 1/4"	12 3/4"	100	31 3/4"	50 3/4"	56 3/4"	15"	61"	13 1/2"	POA
8599-35-100	35	03"	16"	5"	32 1/2"	21"	18 1/4"	2"	17 1/2"	14 1/2"	100	33 1/4"	50 3/4"	56 3/4"	15"	61"	14"	POA
8599-50-100	50	03"	17 1/2"	6 3/4"	35 1/2"	24 1/4"	20 3/4"	2"	20 3/4"	16"	100	35 1/4"	50 3/4"	56 3/4"	15"	61"	16 3/4"	POA
8599-75-100	75	04"	21 1/2"	15 1/2"	50 3/4"	37"	30 1/2"	3"	32 3/4"	21"	100	45 1/2"	50 3/4"	56 3/4"	15"	61"	24"	POA
8599-100-250	100	04"	27"	16 1/2"	54 3/4"	43 1/2"	33 1/2"	3"	39 1/4"	23"	250	58 1/2"	60 3/4"	60 3/4"	25"	65"	25"	POA
8599-150-250	150	05"	33"	17 1/2"	60 3/4"	50 1/2"	38 1/2"	4"	46 1/4"	25 1/2"	250	63 1/2"	60 3/4"	60 3/4"	25"	65"	27"	POA
8599-200-250	200	05"	37"	17 1/2"	67 3/4"	54 1/2"	43 1/2"	4"	50 1/4"	29"	250	68 1/2"	60 3/4"	60 3/4"	25"	65"	27"	POA
8599-250-500	250	05"	40"	18"	73 3/4"	58"	47 1/2"	4"	53 3/4"	32"	500	79 1/2"	90 3/4"	71 3/4"	32"	76"	27 1/2"	POA
8599-300-500	300	05"	43 1/2"	18"	85 3/4"	61 1/2"	54 1/2"	4"	57 1/4"	38"	500	86 1/2"	90 3/4"	71 3/4"	32"	76"	27 1/2"	POA
8599-350-500	350	05"	43 1/2"	18"	85 3/4"	61 1/2"	54 1/2"	4"	57 1/4"	38"	500	86 1/2"	90 3/4"	71 3/4"	32"	76"	27 1/2"	POA
8599-400-500	400	06"	43 1/2"	18"	85 3/4"	61 1/2"	54 1/2"	4"	57 1/4"	38"	500	86 1/2"	90 3/4"	71 3/4"	32"	76"	27 1/2"	POA
8599-450-500	450	06"	48"	18"	103 1/4"	66"	64 1/2"	5"	61 3/4"	46"	500	96 1/2"	90 3/4"	71 3/4"	32"	76"	28"	POA
8599-500-750	500	06"	48"	18"	103 1/4"	66"	64 1/2"	5"	61 3/4"	46"	750	99 1/2"	103 1/4"	83 3/4"	35"	88"	28"	POA

\*Available with larger inlet and outlet when specified.

●Recommended for Elevator Pits.

**REGULARLY FURNISHED:** Fabricated Steel with Diamond Plate Cover, Duco Coated Inside and Coal Tar Outside. Complete with Flow Control Fitting.

INTERCEPTORS

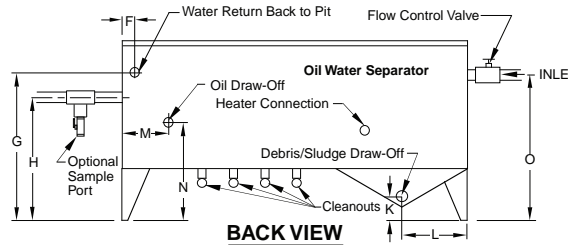
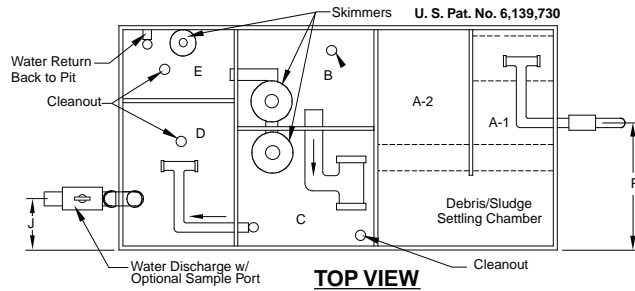
# ULTRACEPT OIL/WATER SEPARATION SYSTEMS

## FIG. 8600 SERIES



Figure No.	
8602-S	POA
8602-M	POA
8605-S	POA
8605-M	POA

Figure No.	
8610-S	POA
8610-M	POA
8625-S	POA
8625-M	POA
8645-S	POA
8645-M	POA



All Cleanouts and Water Return Lines are to be plumbed to a common 3" Line that goes back to Surge Pit. All external plumbing fittings are Sch. 40 PVC unless otherwise specified.

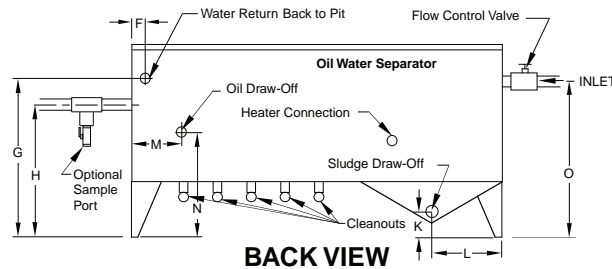
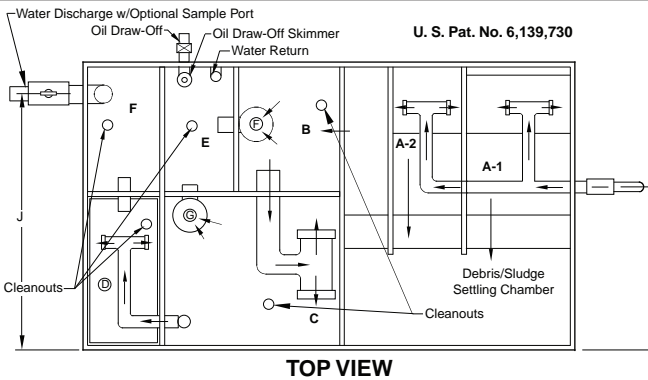
Model	Construction Material	Flow Rate GPM	Inlet	Outlet	Water Return	Sludge Draw-Off	Oil Outlet	Waste Oil Cap	Length	Width	Height	Weight	Water Volume
8602	S,M	2	1 1/2"	1 1/2"	1 1/2"	1 1/2"	1 1/2"	4 gal	36"	24"	36"	150 lbs	67 gal
8605	S,M	5	1 1/2"	1 1/2"	1 1/2"	1 1/2"	1 1/2"	12 gal	60"	36"	36"	600 lbs	168 gal

S = Stainless Steel M = Mild Steel

Model	F	G	H	J	K	L	M	N	O	P	Q
8602	4.00	31.00	28.5	10.00	12.00	6.32	8.00	24.56	34.25	21.00	12"
8605	5.125	25.7	25.7	2.5	4.47	12.07	12.00	16.7	33.32	18.00	45"

- A Inlet Compartment
- B Primary Skimming Compartment
- C Secondary Skimming Compartment
- D Final Polishing Compartment
- E Oil Collection Compartment
- F Water Return from Side
- G Water Return height from grade
- H Water Discharge height from grade
- J Water Discharge from side
- K Sludge draw-off height from grate
- L Sludge draw-off from side
- M Oil draw-off from side
- N Oil draw-off height from grate
- O Inlet height from grade
- P Inlet location from side
- Q Cubes (ft.)

NOTE: Ultracept® units exposed to freezing temperatures may require pipe insulation to be installed on exposed plumbing. Pipe insulation is by others.



NOTE: Ultracept® units exposed to freezing temperatures may require pipe insulation to be installed on exposed plumbing. Pipe insulation is by others.

Model	Construction Material	Flow Rate GPM	Inlet	Outlet	Water Return	Sludge Draw-Off	Oil Outlet	Waste Oil Cap	Length	Width	Height	Weight	Water Volume
8610	S,M	10	2"	3"	1 1/2"	3"	1 1/2"	23 gal	72"	36"	48"	925 lbs	400 gal
8625	S,M	25	2"	3"	1 1/2"	3"	1 1/2"	29 gal	84"	48"	48"	1175 lbs	628 gal
8645	S,M	45	2"	3"	1 1/2"	3"	1 1/2"	35 gal	96"	48"	48"	1395 lbs	718 gal

S = Stainless Steel M = Mild Steel

Model	F	G	H	J	K	L	M	N	O	P	Q
8610	18.07	35.82	33.7	29.88	6.00	12.07	21.875	28.82	43.69	18.00	72"
8625	18.99	31.70	33.70	6.00	6.00	18.07	23.875	21.70	43.57	24.00	112"
8645	26.875	36.00	33.88	42.12	6.15	18.07	32.31	29.00	43.88	24.00	128"

- A Inlet Compartment
- B Primary Skimming Compartment
- C Secondary Skimming Compartment
- D Final Polishing Compartment
- E Oil Collection Compartment
- F Water Return from Side
- G Water Return height from grade
- H Water Discharge height from grade
- J Water Discharge from side
- K Sludge draw-off height from grate
- L Sludge draw-off from side
- M Oil draw-off from side
- N Oil draw-off height from grate
- O Inlet height from grade
- P Inlet location from side
- Q Cubes (ft.)

All Cleanouts and Water Return Lines are to be plumbed to a common 3" Line that goes back to Surge Pit. All external plumbing fittings are Sch. 40 PVC unless otherwise specified.

Industrial type facilities suffer from oily waste water problems from time to time. Federal and local regulations require that this waste water must be treated before it can be discharged into municipal sewers or subsurface waters.

The Ultracept Oil/ Water Separator by Jay R. Smith Mfg. Co. is designed to accomplish this task through a continuous skimming technique. The patented design uses the cohesive property of water and a multi-stage separation process to achieve high separation efficiency.

The Ultracept Oil/Water Separator is designed to be installed so that contaminated water is pumped from a surge pit into the Ultracept unit. The separator, having been filled with clean water prior to the startup,

then uses the surface tension of the clean water to promote and enhance waster separation. The water then travels through a series of chambers for gravity discharge to a sanitary sewer or to a recycling system.

### Features and Benefits:

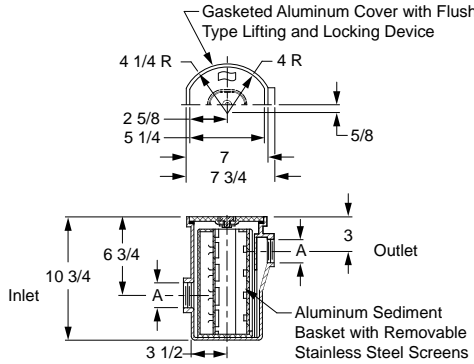
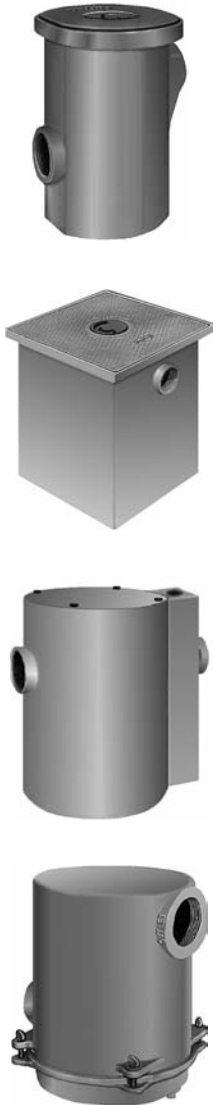
- Available in stainless steel and epoxy coated steel
- Regularly furnished with a flow control valve and all required plumbing components
- Simple, above ground installation
- Low maintenance, no coalescing packs
- Meets discharge regulations
- All units come in either stainless steel (S) or Mild steel (M)
- All units have 1-1/2" water return and 1 1/2" oil outlet

# INTERCEPTORS

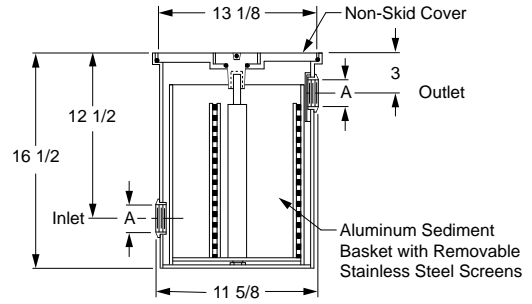


## FIG. 8710, 8714, 8715 SOLIDS INTERCEPTOR FLUSH W/FLOOR, ON-THE FLOOR OR FIG. 8730 SUSPENDED TYPE

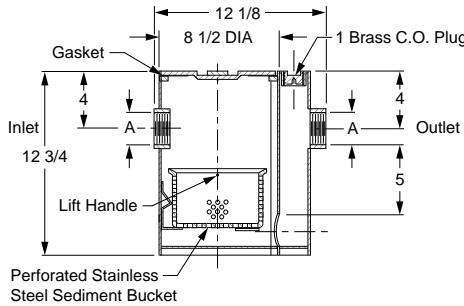
**FUNCTION:** Provides a means of collecting solids such as metal chips, plaster and stones before entering the drain line preventing line stoppage. The Fig. 8710 and Fig. 8714 small capacity interceptors are ideal for dental offices or similar establishments where the unit can be mounted directly under the sink to recover precious metals as well as intercept harmful debris. Fig. 8715 larger capacity interceptors are ideal for hospitals where a greater amount of solids is anticipated in the drainage water. Fig. 8710 and Fig. 8715 units are cleaned by removing cover and lifting strainer and screen assembly vertically out of body. Fig. 8714 has an internal deep seal trap and is cleaned by removing cover and lifting sediment bucket vertically out of the body. The compact design of Fig. 8730 suspended type makes this unit particularly adaptable for use directly under the fixture in place of the regular "P" trap. Unit will intercept all types of solids and precious metals. Interceptor is cleaned and inspected by removing bottom sediment strainer plate and dropping entire assembly.



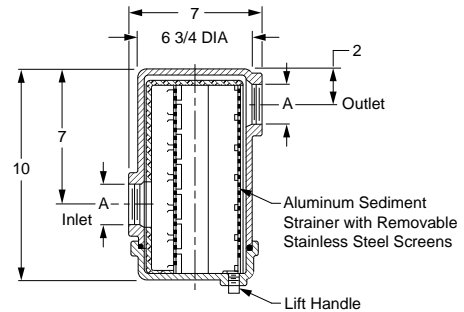
**Fig. 8710**



**Fig. 8715**



**Fig. 8714**



**Fig. 8730**

FLUSH WITH FLOOR OR ON-THE-FLOOR TYPE						
FIGURE NO.	INLET & OUTLET SIZE	DUCCO COATED	W/ARC IN (ARI) OR OUT (ARO)	W/ARC IN & OUT (ARIO)	ALUM BODY (-AA)	APPROX. WT. LBS.
8710	0150 or 02"	892.00	1,379.00	1,474.00	1,254.00	25
8714	0150 or 02"	892.00	1,379.00	1,474.00	-	43
8715	0150 or 02"	3,117.00	4,692.00	4,835.00	-	140
SUSPENDED TYPE						
8730	0150 or 02"	892.00	1,379.00	1,474.00	1,254.00	20

**REGULARLY FURNISHED:** Fig. 8710 White Duco Coated Cast Iron Body with Aluminum Gasketed Cover and Sediment Strainer with Removable Stainless Steel Screens.

Fig. 8714, Fabricated Steel Body with Galvanized Sub-Coat with White Duco Finish Inside and Outside, Stainless Steel Perforated Bucket and Aluminum Cover.

Fig. 8715 Fabricated Steel Body with Galvanized Sub-Coat with White Duco Finish Inside and Outside, Sediment Strainer with Removable Stainless Steel Screens and Cast Iron Cover.

Fig. 8730, White Duco Coated Cast Iron Body and Aluminum Strainer with Removable Stainless Steel Screens.

# INTERCEPTORS

## FIG. 8750, FIG. 8760 SUSPENDED TYPE HAIR AND LINT SOLIDS INTERCEPORS



**FUNCTION:** Installed on the lavatory or sink in dormitories, motels and beauty salons. Intercepts hair and sediment which is commonly encountered in these areas. Serves also as a safeguard against losing rings and other valuable jewelry due to accidental dropping into lavatory drain. Unit is easily cleaned by removing cleanout plug on bottom of body and dropping perforated basket.

**OPTIONS:** ADD  
 Replacement SS Sediment Retainer (with purchase of Interceptor) .....177.00

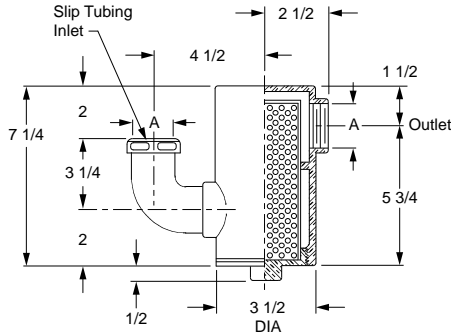


Fig. 8750

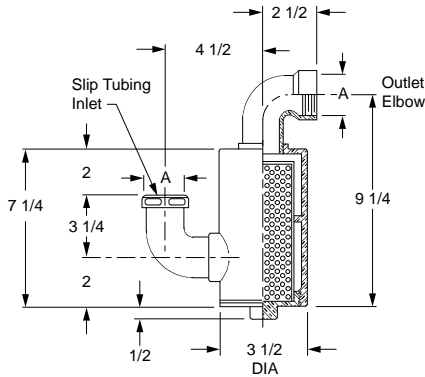


Fig. 8760

FIGURE NO.	INLET & OUTLET SIZE A	†CHROME PLATED BRONZE	POLISHED BRONZE (-PB)	CHROME PLATED CAST IRON (-CPCI)	DUCO CAST IRON (-CI)	APPROX. WEIGHT LBS.
8750	0125 or 0150"	1,449.00	1,085.00	955.00	591.00	6
<b>WITH TOP OUTLET ELBOW</b>						
8760	0125 or 0150"	1,719.00	1,314.00	1,235.00	832.00	9

**REGULARLY FURNISHED:** Chrome Plated Bronze Body, Gasketed Cover and Slip-Type Inlet Elbow with Perforated Stainless Steel Basket.

# INTERCEPTORS

## FIG. 8790, FIG. 8795 BASKET STRAINER SOILDS INTERCEPTORS SUSPENDED TYPE



**FUNCTION:** Installed at the suction side of pump equipment to intercept hair, lint, leaves, paper scraps and other debris which might damage the pump. Fig 8790 has a yoke type cover clamp for fast cover removal when basket has to be cleaned. Fig. 8795 has a bolted cover which is recommended where pressures are higher and protection against tampering is desired.



8790



8795

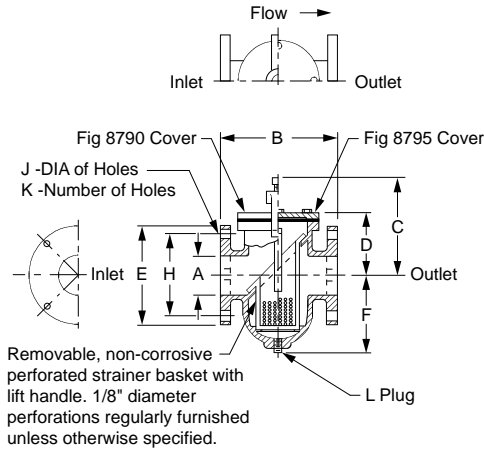


Fig. 8790

INTERCEPTORS

FIGURE 8790 WITH YOKE TYPE COVER, FIGURE 8795 WITH BOLTED TYPE COVER												
A SIZE	B	C	D	E DIA	F	H DIA	J DIA	K	L	†DUCO CAST IRON	FOR EACH REPLACEMENT BASKET	APPROX. WEIGHT LBS.
02"	8 3/4"	7 3/4"	4 1/2"	6"	5 1/2"	4 3/4"	3/4"	4	3/4"	1,943.00	956.00	35
0250"	8 3/4"	7 3/4"	4 3/4"	7"	5 1/2"	5 1/2"	3/4"	4	3/4"	2,076.00	956.00	40
03"	8 3/4"	7 1/4"	4 1/2"	7 1/2"	6"	6"	3/4"	4	3/4"	3,218.00	956.00	40
04"	11"	7 1/2"	5"	9"	7 3/4"	7 1/2"	3/4"	8	3/4"	4,490.00	1,251.00	60
05"	11"	8 1/4"	5 1/4"	10"	8 1/2"	8 1/2"	7/8"	8	1 1/4"	6,094.00	1,596.00	90
06"	15 1/4"	10 3/4"	6 1/2"	11"	12 3/4"	9 1/2"	7/8"	8	1 1/4"	7,616.00	1,981.00	130
08"	17"	11"	6 1/2"	13 1/2"	15 1/4"	11 3/4"	7/8"	8	1 1/4"	12,364.00	3,308.00	200
10"	21 1/2"	13"	8"	16"	17 1/2"	14 1/4"	1"	12	1 1/4"	22,828.00	4,647.00	330

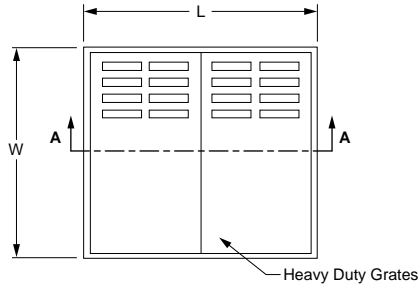
**REGULARLY FURNISHED:** Duco Coated Body and Cover.

# INTERCEPTORS

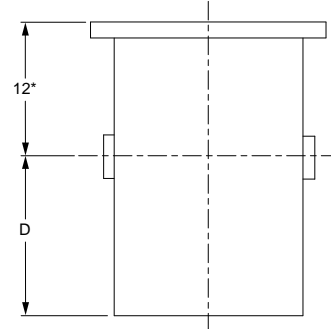
## FIG. 8811 SERIES SAND INTERCEPTORS



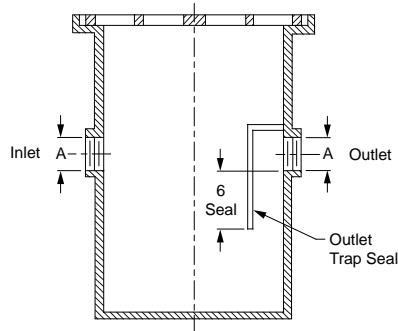
**FUNCTION:** Used in service areas to receive wastewater with sand and sediment through the top grates or from additional drains upstream through the inlet connection. Regular cleaning is required for proper operation.



**Top View**



**Front View**



**Section A-A**

**OPTIONS:**

Y No-Hub Adaptor (2 req'd) ..... See Fig. 2646Y

**ADD**

See Fig. 2646Y

FIGURE NO.	GPM FLOW RATE	A PIPE SIZE	L	W	D	CAPACITY GALS	NO. OF 12" X 24" GRATES	†STEEL DUCO COATED	ADD FOR:					APPROX. WEIGHT LBS.
									EXT. (-E) UP TO 6"	EXT. PER INCH OVER 6"	DUCTILE IRON GRATE (-M)	HVY DUTY DIA. PLT CVR (-SHD)	VANDAL PROOF (-U)	
8811-20	20	04"	24"	24"	26"	60	2	8,676.00	525.00	58.00	1,650.00	1,650.00	107.00	285
8811-50	50	04"	48"	24"	26"	120	4	14,710.00	818.00	86.00	3,299.00	3,299.00	107.00	489
8811-150	150	04"	48"	48"	38"	360	8	44,453.00	1,462.00	150.00	6,601.00	6,601.00	107.00	940
8811-250	250	06"	72"	48"	39"	540	12	46,261.00	2,194.00	223.00	9,903.00	9,903.00	107.00	1,410
8811-500	500	06"	120"	48"	51"	1200	20	59,527.00	3,732.00	378.00	16,505.00	16,505.00	107.00	2,397

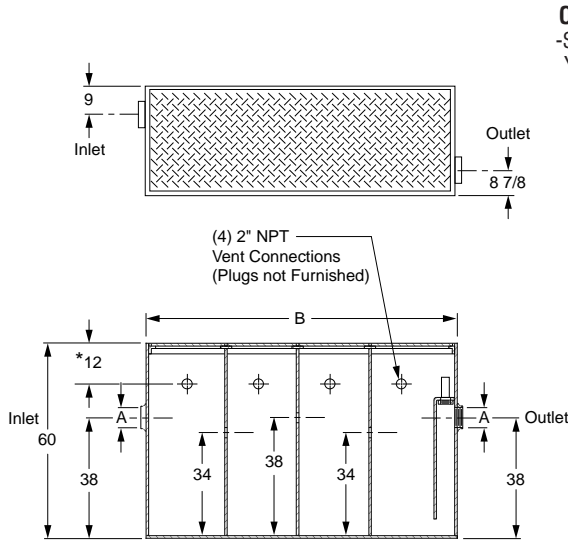
**REGULARLY FURNISHED:** Fabricated Steel Catch Basin, Gray Duco Coated Inside and Outside, Threaded Inlet and Outlet (with Outlet Trap Seal).

# INTERCEPTORS

## FIG. 8817 SERIES SAND AND SEDIMENT INTERCEPTORS ARC COATED



**FUNCTION:** Used in maintenance to receive wastewater that contains sand and sediment. The solid baffle system enhances the separation process as sand and sediment settle out within each chamber as the water flows through the interceptor. Regular cleaning is required for proper operation.



**OPTIONS:**

- SS All Stainless Steel .....POA
- Y No-Hub Adaptor (4 req'd) .....See Fig. 2646Y

**ADD**

.....POA

.....See Fig. 2646Y

INTERCEPTORS

\*12" Regularly Furnished -Specify dimension if higher or lower is required.

FIGURE NO.	SIZE (GALLONS)	CUBIC FEET	A PIPE SIZE	WIDTH	B LENGTH	†STEEL ARC COATED	ADD FOR:				APPROX. WEIGHT LBS.
							EXT. (-E) UP TO 6"	EXT. PER INCH OVER 6"	EXTRA HEAVY DUTY REINF. COVER (-XHD)	ANCHOR FLANGE (-F)	
8817-300	300	43	04" NPT	36"	60"	26,423.00	807.00	124.00	1,033.00	1,154.00	1,600
8817-400	400	54	04" NPT	36"	72"	38,972.00	991.00	164.00	1,299.00	1,321.00	1,750
8817-500	500	72	04" NPT	36"	96"	50,737.00	1,427.00	227.00	1,900.00	2,644.00	2,100
8817-600	600	81	04" NPT	36"	108"	51,851.00	1,735.00	268.00	2,166.00	2,975.00	2,500
8817-700	700	90	04" NPT	36"	120"	56,640.00	1,981.00	290.00	2,354.00	3,301.00	2,700
8817-800	800	108	04" NPT	36"	144"	58,415.00	2,395.00	330.00	2,601.00	3,964.00	3,000
8817-1000	1000	135	04" NPT	36"	180"	69,559.00	2,644.00	392.00	3,263.00	4,956.00	3,640

**REGULARLY FURNISHED:** Acid Resistant Coated Fabricated Steel Body and Non-Skid Cover.

# INTERCEPTORS

## FIG 8910 SERIES LINT INTERCEPTORS



**FUNCTION:** Used where discharge water contains large quantities of hair, lint and foreign particles such as in commercial laundry facilities. Cleaning is accomplished by removing the cover and screens.

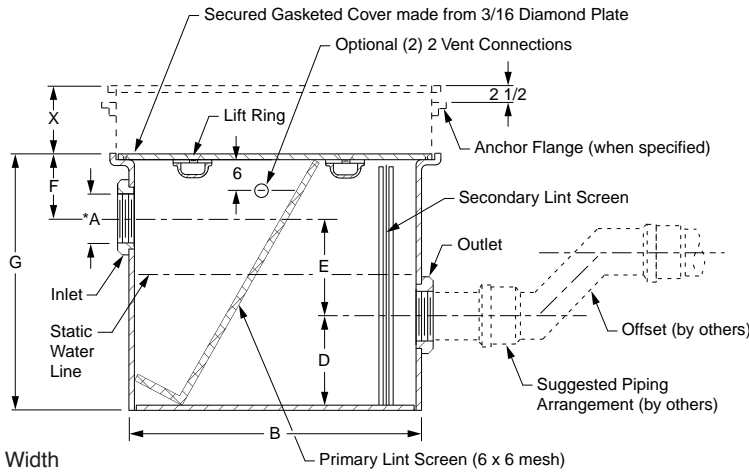


**OPTIONS:**

-SS All Stainless Steel ..... POA  
 -VC 2" Vent Connections (2) ..... 419.00

**ADD**

**POA**  
**419.00**



C= Body Width  
 X= Specify Additional Height Required

FIGURE NO.	GPM FLOW RATE	MAX NO. OF WASHERS	INLET & OUTLET SIZE A*	BODY		ROUGHING DIM				SECURING SCREWS IN COVER	†STEEL DUCO COATED	ADD FOR:				APPROX. WEIGHT LBS.
				B LENGTH	C WIDTH	D	E	F	G			EXT. (-E) UP TO 6"	EXT. PER INCH OVER 6"	ANCHOR FLANGE (-F)	FLANGE AND FLASHING CLAMP (-FC)	
8910-20	20	2	04"	30"	24"	12"	12"	8"	32"	8	6,729.00	1,490.00	156.00	680.00	1,427.00	270
8910-25	25	3	04"	36"	24"	12"	12"	8"	32"	8	6,813.00	1,499.00	161.00	841.00	1,445.00	318
8910-50	50	5	04"	40"	26"	12"	12"	8"	32"	10	7,694.00	1,707.00	175.00	952.00	1,634.00	332
8910-100	100	10	06"	48"	30"	12"	12"	8"	32"	10	9,495.00	2,118.00	221.00	984.00	2,011.00	420
8910-150	150	15	06"	51"	32"	24"	12"	8"	44"	10	10,445.00	2,336.00	239.00	1,056.00	2,216.00	555
8910-200	200	20	06"	54"	36"	24"	12"	12"	48"	10	11,493.00	2,570.00	263.00	1,221.00	2,438.00	696
8910-350	350	35	06"	68"	42"	24"	12"	12"	48"	14	14,221.00	3,195.00	327.00	1,235.00	3,015.00	874
8910-500	500	50	06"	84"	54"	36"	12"	12"	60"	18	17,108.00	3,847.00	391.00	1,457.00	3,623.00	1,336

\*Available with larger inlet and outlet when specified. (Call for pricing)

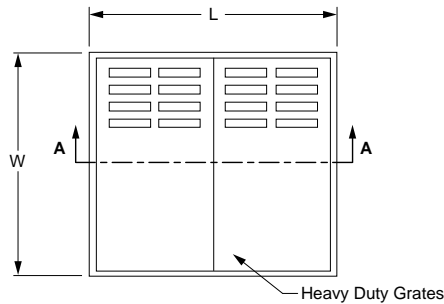
**REGULARLY FURNISHED:** Fabricated Steel with Gray Duco Coating and Stainless Steel Primary and Secondary Lint Screens, 3/16" Diamond Plate Cover (Secured & Gasketed) and Threaded Inlet and Outlet.

# INTERCEPTORS

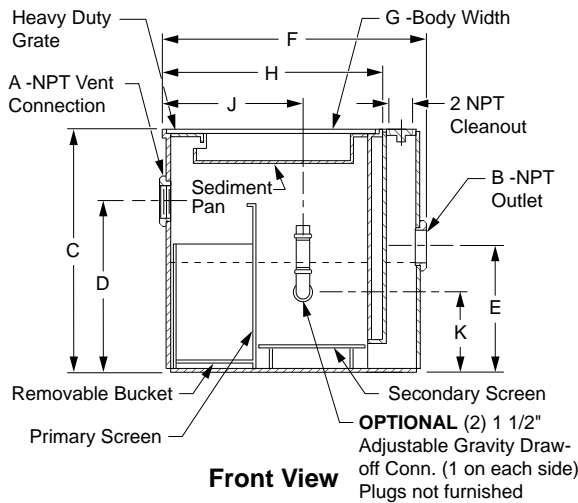
## FIG. 8925 SERIES SEDIMENT/OIL INTERCEPTOR



**FUNCTION:** Used in service stations, parking garages, car and truck washes and industrial plants where discharged water contains oily sediment and sludge. The sediment and sludge are collected in the sediment pan and removable bucket. The oily residue is trapped in the interceptor and can be skimmed off periodically.



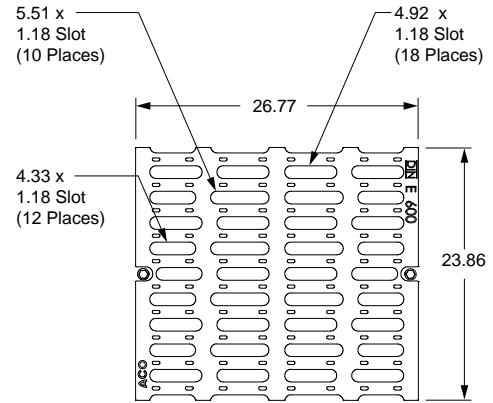
**Top View**



**Front View**

**OPTIONS:**

- OD Oil Draw-off Assembly ..... **ADD 264.00**
- SS Stainless Steel Body ..... **POA**



**H2O Ductile Iron Grate Detail\*\***

- NOTE:** Interceptor shall be vented on outlet side per local code requirements
- NOTE:** It is the responsibility of the installer to check all parts (internal and external) to verify they are in their proper operating order and location.
- \*\*NOTE:** When specifying H2O Ductile Iron Slotted Grate, the length and width dimensions may vary when using this Grate.

FIGURE NO.	SLUDGE CAP LBS	A VENT SIZE	B OUTLET SIZE	C	D	E	F	G	H	J	K	NO. OF 12" X 24" GRATES	†STEEL DUCO COATED	ADD FOR:				APPROX. WEIGHT LBS.	
														ARC IN AND OUT (-ARIO)	EXT. (-E) UP TO 6"	EXT. PER INCH OVER 6"	ANCHOR FLANGE (-F)		FLANGE AND FLASHING CLAMP (-FC)
8925-12	12	02"	02"	18"	13"	10 1/2"	17 1/2"	12 1/2"	12 1/2"	9"	6"	*1	2,311.00	481.00	386.00	58.00	481.00	663.00	75
8925-60	60	02"	04"	26"	20"	18"	29 1/2"	12 1/2"	24 1/2"	19"	8"	1	6,235.00	579.00	579.00	87.00	663.00	1,000.00	175
8925-100	100	02"	04"	34"	27"	22"	29 1/2"	24 1/2"	24 1/2"	19"	12"	2	8,858.00	915.00	767.00	124.00	835.00	1,261.00	280
8925-200	200	02"	04"	34"	27"	22"	41 1/2"	24 1/2"	36 1/2"	27"	12"	3	13,128.00	1,923.00	1,154.00	182.00	1,100.00	1,620.00	370

\*Grate is 12 x 12"

**REGULARLY FURNISHED:** Fabricated Steel Body with Duco Coating and Sediment Pan w/Stainless Steel Bucket w/Perforated Back, Secondary Screen and Heavy Duty Cast Iron Grating.

# INTERCEPTORS

## FIG. 8970 SERIES REMEDIATOR® GREASE TREATMENT SYSTEM



**FUNCTION:** The Smith Remediator® is designed to be installed in the drainage plumbing of commercial and institutional kitchen facilities for the purpose of intercepting, separating, retaining and biologically disposing of grease, oil and other organic and inorganic material, not including human waste, contained in effluent of such facilities.

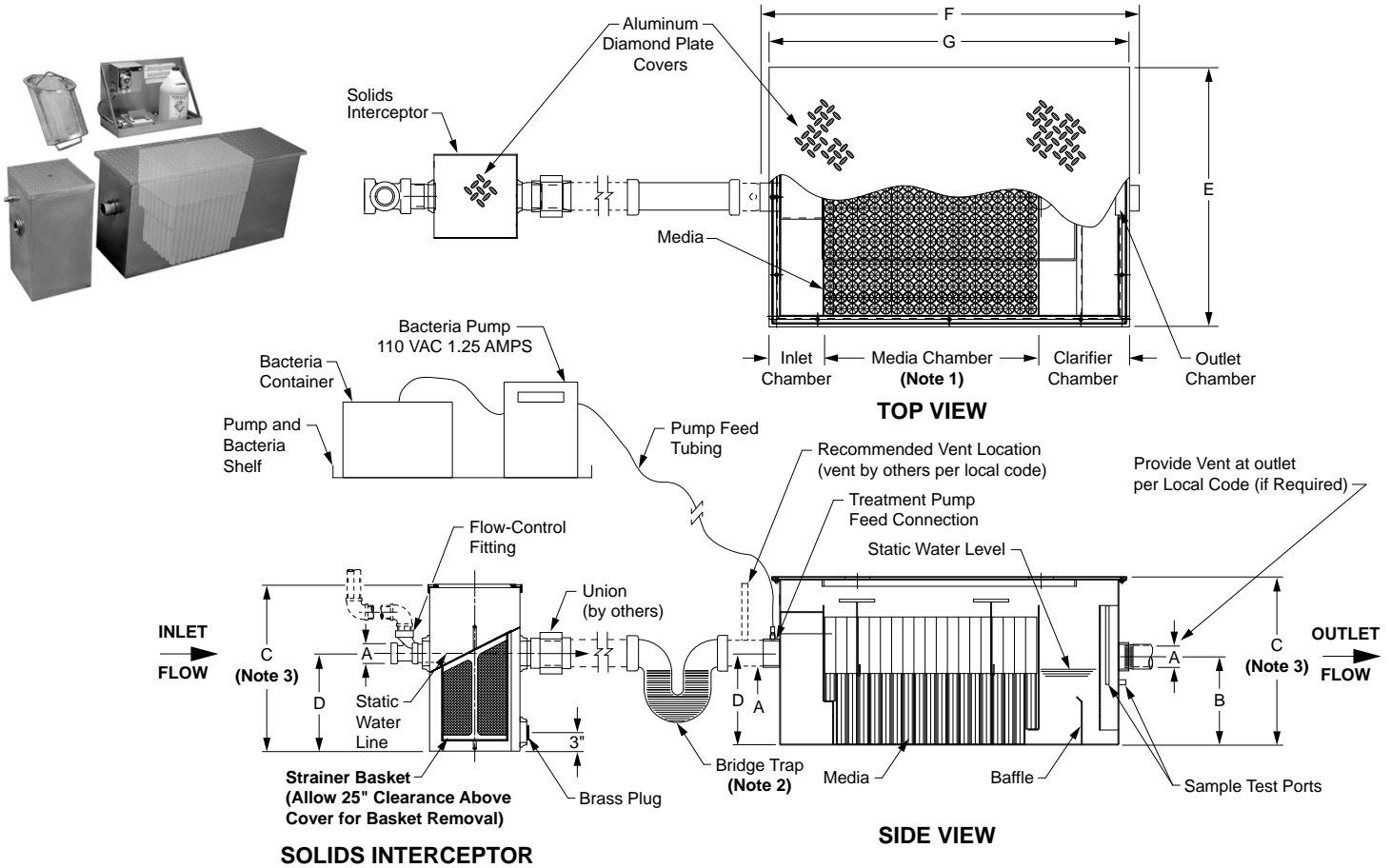


FIGURE NO.	GPM FLOW RATE	INLET & OUTLET SIZE A*	B	C	D	E	F	G	NO. OF SECTIONS PER MEDIA	†STAINLESS STEEL POA	APPROX. WEIGHT LBS.
△ ▲ *	8970-20	20	02"	12"	21 5/16"	12 1/2"	14 7/8"	44 1/8"	42 1/8"	1	326
△ ▲ *	8970-35	35	02"	12"	21 5/16"	12 1/2"	24 7/16"	52 13/64"	49 3/4"	1	370
△ ▲ *	8970-50	50	03"	12 1/2"	21 5/16"	13"	30 1/2"	52 13/64"	49 3/4"	3	550
△ ▲ *	8970-75	75	03"	12 1/2"	21 5/16"	13"	35 1/2"	52 13/64"	49 3/4"	3	585

**NOTE 1:** The 8970-50 and 8970-75 Media is Divided into Multiple Sections - See Chart Above.

**NOTE 2:** Bridge Trap Only Available in 02" and 03" Sizes. 04" Not Available.

**NOTE 3:** "C" Dimension can be increased if required up to a maximum of 35".

**REGULARLY FURNISHED:** Stainless Steel Pretreatment Unit with Media and Biological Treatment Pump with Preset Timer. Stainless Steel Solids Interceptor with Aluminum (Diamond Plate) Cover, Cast Iron Bridge Trap and Cast Iron Flow-Control Fitting.

\* P.D.I. Certification to PDI-G101

▲ IAPMO Listed. File No. 3782

△ NES listed PCR GI 101.012

PROTECTED UNDER PATENT NO. 6,916,421