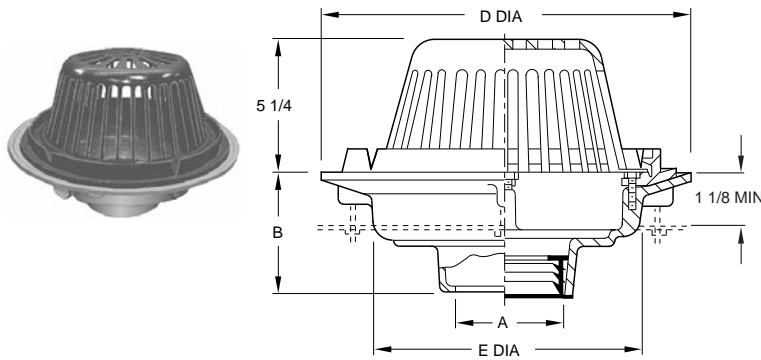


ROOF DRAINS

FIG. 1010 16" DIAMETER - LOW PROFILE DOME



FUNCTION: Used in flat roof of any construction. Large low profile dome provides sufficient free area for quick drainage of rain water and protects the drain sump and connected piping from the intrusion of debris. Wide clamping surface holds flashing and roofing materials without puncturing.



A OUTLET SIZE	D FLANGE DIA.	E DIA.	FREE AREA SQ IN	†DUCO CI POLY DOME	DUCO CI W/ ALUM DOME	APPROX. WEIGHT LBS
02, 03, 04"	15 1/4"	11"	102.5	431.00	580.00	28
05, 06"	15 1/4"	11"	102.5	615.00	764.00	28
08"	16"	12 1/2"	102.5	799.00	948.00	30

A OUTLET SIZE	D FLANGE DIA.	E DIA.	FREE AREA SQ IN	**†DUCO CI CI DOME	DUCO CI W/ ALUM DOME	APPROX. WEIGHT LBS
08"	20"	16"	228	1,147.00	1,503.00	34
10"	16"	12 1/2"	122.5	1,263.00	1,590.00	36
10"	20"	16"	228	1,308.00	1,664.00	36
12"	20"	16"	228	1,352.00	1,708.00	40

**Add 218.00 for Galvanized Cast Iron Dome.

REGULARLY FURNISHED: Duco Cast Iron Body with Combined Flashing Clamp and Gravel Stop with Dome.

OUTLET VARIATIONS (Specify type of outlet and pipe size in inches.)

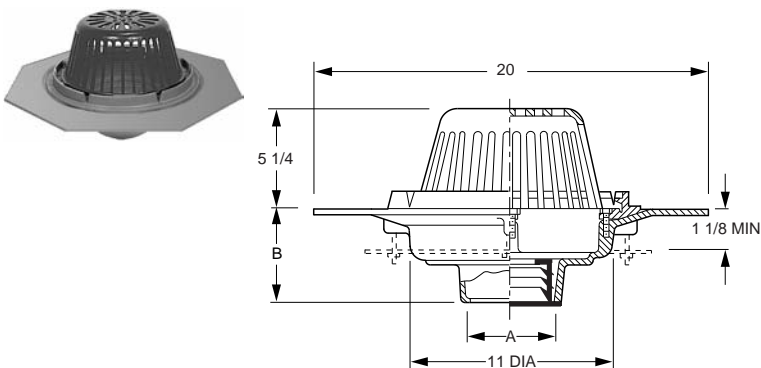
Outlet Type	Outlet Designation Outlet Type/Pipe Size	"B" Body HT. DIM.	ADD
Inside Caulk	C02, C03, C04, C05, C06	5"	N/C
	C08, C10	6"	N/C
Speedi-Set SW	L02, L03, L04	5"	N/C
Speedi-Set XH	LXH02, LXH03, LXH04	5"	N/C
Threaded	T02, T03, T04, T05, T06	3 3/4"	47.00
	T08, T10	5"	47.00
No-Hub	Y02, Y03, Y04, Y05, Y06	5"	N/C
	Y08, Y10	6"	N/C
	Y12	7 3/4"	N/C

*This dimension is for 16" dia. flange size body. For 20" flange size body dimension is 7 3/4".

OPTIONS:	ADD
-AA Aluminum Body (2-6" only)	POA
-C Aluminum Underdeck Clamp (15 & 16" Flange Bodies)	146.00
-C Cast Iron Underdeck Clamp (20" Flange Bodies)	292.00
-C2 Secondary Flashing Clamp	112.00
-CID CI Dome (when not reg. furn.)	128.00
-CID8 8" High CI Dome	279.00
-CIDG Cast Iron Dome with Galvanizing	346.00
-CL Angular Underdeck Clamp	296.00
-DE Deck Elevator Extension	627.00
-E Extension up to 4"	402.00
	per inch over 4" 95.00
-G Galvanized CI	582.00
-GRT CI Grate in lieu of Dome	419.00
-PDSSM SS Mesh on Poly Dome	305.00
-R Sump Receiver (15 & 16" Flange Bodies)	164.00
-R Sump Receiver (20" Flange Bodies)	327.00
-RBD Rough Brz Dome	504.00
-RDP Roof Deck Plate (15 & 16" Flange)	264.00
-RDP Roof Deck Plate (20" Flange)	469.00
-SSM SS Mesh on Metal Dome (Specify dome)	305.00
-U Vandal Proof Dome	75.00

FIG. DX1010 WIDE FLANGE BODY - SECURED DOME

FUNCTION: For use in promenade roof deck and rooftop recreational areas where traffic bearing roof deck covering is to be applied. Drain body sump is protected from leaves, paper and other debris by large secured dome.



A OUTLET SIZE	FLANGE DIA.	FREE AREA SQ IN	†DUCO CI POLY DOME	APPROX. WEIGHT LBS
02, 03, 04"	20"	102.5	1,233.00	50
05, 06"	20"	102.5	1,416.00	50

REGULARLY FURNISHED: Duco Cast Iron Wide Flange Body with Combined Flashing Clamp and Gravel Stop with Polyethylene Dome.

OUTLET VARIATIONS (Specify type of outlet and pipe size in inches.)

Outlet Type	Outlet Designation Outlet Type/Pipe Size	"B" Body HT. DIM.	ADD
Inside Caulk	C02, C03, C04, C05, C06	5"	N/C
Speedi-Set SW	L02, L03, L04	5"	N/C
Speedi-Set XH	LXH02, LXH03, LXH04	5"	N/C
Threaded	T02, T03, T04, T05, T06	3 3/4"	47.00
No-Hub	Y02, Y03, Y04, Y05, Y06	5"	N/C

OPTIONS:	ADD
-AD Aluminum Dome	149.00
-C Aluminum Underdeck Clamp	146.00
-CID CI Dome	128.00
-CIDG Cast Iron Dome with Galvanizing	346.00
-CID8 8" High CI Dome	279.00
-CL Angular Underdeck Clamp	296.00
-G Galvanized CI	759.00
-PDSSM SS Mesh on Poly Dome	305.00
-RBD Rough Bronze Dome	504.00
-SH Securing Holes	74.00
-SSM SS Mesh on Metal Dome	305.00
-U Vandal Proof Dome	75.00