

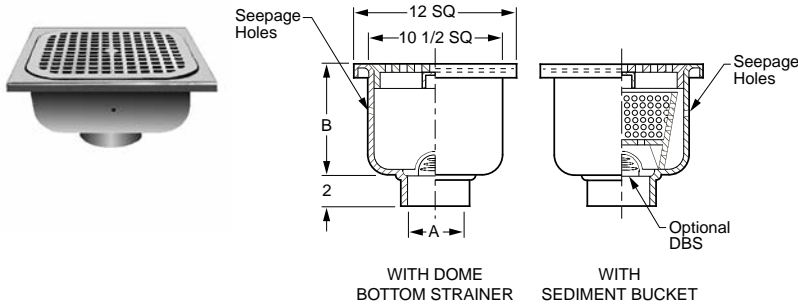
SANITARY DRAINS



FIG. 3001 SERIES SANI-CEPTOR® SS FLOOR, AREA & INDIRECT WASTE DRAINS WITH SS SQUARE TOPS
FIG. 3001NB SERIES SANI-CEPTOR® SS FLOOR, AREA & INDIRECT WASTE DRAINS WITH NB SQUARE TOPS

FUNCTION: 3001-3009 Series: Used in all locations where superior sanitation, corrosion resistance, durability and longevity are required. Essential in restaurants, kitchens and all types of food handling areas for ultimate sanitation. Ideal for breweries, dairies, creameries and similar processing plants where sanitation is paramount. Also suitable for nuclear and fossil fuel power stations, chemical plants, laboratories and other areas where the corrosion resistance of type 304 stainless steel is satisfactory for the intended service.

3001 SERIES



OUTLET VARIATIONS (Specify type of outlet and pipe size in inches.)

Outlet Type	Outlet Designation	Outlet Type/Pipe Size	ADD
No-Hub	Y02, Y03, Y04		POA
Butt Weld		BW02, BW03, BW04 (Schedule -5)	POA
		BW02, BW03, BW04 (Schedule -10)	POA
		BW02, BW03, BW04 (Schedule -40)	POA

OPTIONS:

Option	ADD
-P Trap Primer Connection	POA
-U Vandal Proof Grate	POA
-T Male or Female Threaded Outlet	POA
-316 Type 316 Stainless Steel Bodies and Grates	POA

Anchor Flange (-F) Models:

-C Flashing Clamp (Type 304)	POA
-LSH Less Seepage Control Holes	POA

Models w/Secured NB Grate:

-U Vandal Proof Grate	POA
-----------------------	-----

Models w/Buckets:

-BS With Mesh lined Bucket	POA
-DBS With Type 304 SS Dome Bottom Strainer	POA
-SBP With Solid Bottom Ported Bucket	POA

MODELS WITH 12" STAINLESS STEEL TOPS (All Type 304- Type 316 POA)

Model	DEDUCT
-10 Less Stainless Steel Grate	POA
-12 With Type 304 SS 1/2 Grate	POA
-13 With Type 304 SS 3/4 Grate	POA
-14 With Type 304 SS Grate with 2 1/2" SQ Center Hole	POA
-15 With Type 304 SS Recessed Grate with Bar Handle	POA
-21 With Type 304 SS Grate with 4" DIA NB Funnel	POA
-22 With Type 304 SS Grate with 6" DIA NB Funnel	POA
-25 With Type 304 SS Grate with 8 1/4 x 3 1/4 x 4 1/2" High Oval NB Funnel	POA
-26 With NB Grate With 6" x 2 1/2 x 1" High Oval NB Funnel	POA
-41 With Type 304 SS Solid Cover	POA
-42 With Type 304 SS 1/2 Solid Cover	POA
-43 With Type 304 SS 3/4 Solid Cover	POA
-44 With Type 304 SS Solid Cover w/2 1/2" SQ Center Hole	POA
-61 With Type 304 SS Heelproof Ribbed Loose-set Grate with 1/4" Square Holes	POA
-62 With Type 304 SS Medium Duty Ribbed Loose-set Non-tilt Grate with 1/2" Square Holes	POA
-63 With Type 304 SS Medium Duty Ribbed Loose-set Non-tilt Grate with 1/4" Square Holes	POA
-64 With Type 304 SS Heavy Duty Ribbed Loose-set Non-tilt Grate with 1/2" Square Holes	POA
-66 With Type 304 SS Extra Heavy Duty Ribbed Loose-set Non-tilt Grate with 1/2" Square Holes	POA
-68 With Type 304 SS Extra Heavy Duty Ribbed Loose-set Non-tilt 3/4 Grate with 1/2" Square Holes	POA
-69 With 1" Thick Underbolted NB Rim and Extra Heavy Duty Cast Type 304 SS Secured Grate	POA

MODELS WITH 12 1/2" NICKEL BRONZE TOPS (SUFFIX NB)

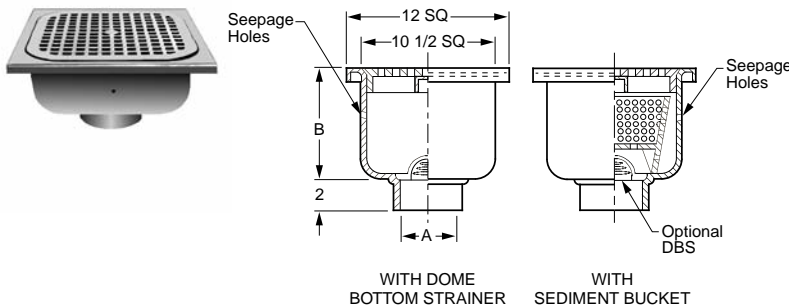
Model	DEDUCT
-10 Less NB Rim and Grate	POA
-11 With NB Rim less Grate	POA
-12 With NB Rim and 1/2 Grate	POA
-13 With NB Rim and 3/4 Grate	POA
-14 With NB Rim and Grate with 2 1/2" SQ Center Hole	POA
-15 With NB Rim and Aluminum Recessed Grate	POA
-18 With NB Rim and Angle Grate	POA
-19 With NB Rim and Hinged Grate	POA
-21 With NB Rim and Grate with 4" DIA NB Funnel	POA
-22 With NB Grate with 6" DIA NB Funnel	POA
-25 With NB Rim and Grate with 8 1/4 x 3 1/4 x 4 1/2" High Oval NB Funnel	POA
-26 With NB Rim and Grate with 6 x 2 1/2 x 1" High Oval NB Funnel	POA
-41 With NB Rim and Solid Cover	POA
-42 With NB Rim and 1/2 Solid Cover	POA
-43 With NB Rim and 3/4 Solid Cover	POA
-44 With NB Rim and 2 1/2" Dia Hole in Solid Cover	POA
-69 With 1" Thick Underbolted NB Rim and Extra Heavy Duty Secured Grate	POA

REGULARLY FURNISHED:

3001 Series: 14 Gauge Type 304 SS Receptor Body with Seepage Control Holes, Cast Type 316 SS Ribbed Non-Tilt Loose Set Grate with 1/2" Square Holes. Perforated SS Dome Bottom Strainer or Sediment Bucket as indicated by Figure Number. Body Interior, Dome Bottom Strainer and Sediment Bucket are polished to No. 4 finish.

FUNCTION: 3001NB-3009NB Series: Used in all locations where superior sanitation, corrosion resistance, durability and longevity are required. Essential in restaurants, kitchens and all types of food handling areas for ultimate sanitation. Ideal for breweries, dairies, creameries and similar processing plants where sanitation is paramount.

3001 SERIES



REGULARLY FURNISHED:

3001NB Series: 14 Gauge Type 304 SS Receptor Body with Seepage Control Holes, 12 1/2" SQ NB Rim and Secured Ribbed Grate with 1/2" Square Holes. Perforated SS Dome Bottom Strainer or Sediment Bucket as indicated by Figure Number. Body Interior, Dome Bottom Strainer and Sediment Bucket are polished to No. 4 finish.

FIG. NO. w/DOME STRAINER	A OUTLET SIZE	B SUMP DEPTH	TOP SIZE	†LESS FLANGE	WITH FLANGE	APPROX. WEIGHT LBS
3001	02", 03", 04"	4"	12" SQ	POA	POA	14
3002	02", 03", 04"	6"	12" SQ	POA	POA	17
3003	02", 03", 04"	8"	12" SQ	POA	POA	20
3004	02", 03", 04"	10"	12" SQ	POA	POA	23
3001NB	02", 03", 04"	4"	12 1/2" SQ	POA	POA	18
3002NB	02", 03", 04"	6"	12 1/2" SQ	POA	POA	21
3003NB	02", 03", 04"	8"	12 1/2" SQ	POA	POA	24
3004NB	02", 03", 04"	10"	12 1/2" SQ	POA	POA	27
FIG. NO. SEDIMENT BUCKET	A OUTLET SIZE	B SUMP DEPTH	TOP SIZE	†LESS FLANGE	WITH FLANGE	APPROX. WEIGHT LBS
3006	02", 03", 04"	4"	12" SQ	POA	POA	16
3007	02", 03", 04"	6"	12" SQ	POA	POA	19
3008	02", 03", 04"	8"	12" SQ	POA	POA	22
3009	02", 03", 04"	10"	12" SQ	POA	POA	25
3006NB	02", 03", 04"	4"	12 1/2" SQ	POA	POA	20
3007NB	02", 03", 04"	6"	12 1/2" SQ	POA	POA	23
3008NB	02", 03", 04"	8"	12 1/2" SQ	POA	POA	26
3009NB	02", 03", 04"	10"	12 1/2" SQ	POA	POA	29

SANITARY DRAINS

FIG. DX3001 SERIES SANI-CEPTOR® SS WIDE FLANGE FLOOR, AREA & INDIRECT WASTE DRAINS WITH SS SQUARE TOPS



FUNCTION: Used in all locations where superior sanitation, corrosion resistance, durability and longevity are required, and where the floor or deck will be surfaced with troweled, composition elastomeric covering. These coverings consist of slip sheet bondcoat, membrane and finish coatings. They form an entirely seamless waterproof, resilient traffic floor or deck. They are normally applied in 3/16" thickness, however, thicknesses may be increased to 1/2" for specialized application. Refer to covering manufacturer for specifications and thicknesses to be used.

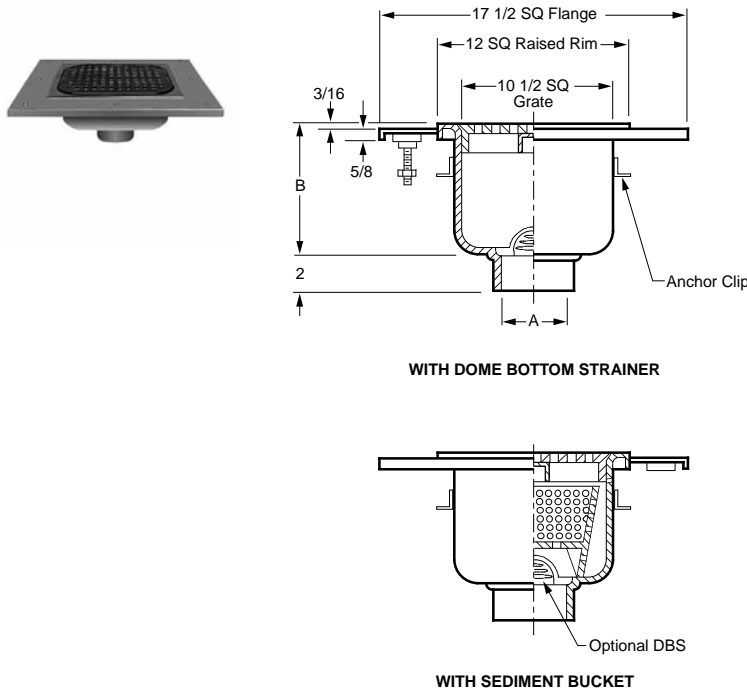


FIG. NO. w/DOME STRAINER	A OUTLET SIZE	B SUMP DEPTH	†SS SQUARE FLANGE	APPROX. WEIGHT LBS
DX3001	02", 03", 04"	4"	POA	29
DX3002	02", 03", 04"	6"	POA	32
DX3003	02", 03", 04"	8"	POA	35
DX3004	02", 03", 04"	10"	POA	38
FIG. NO. w/ SEDIMENT BUCKET	A OUTLET SIZE	B SUMP DEPTH	†SS SQUARE FLANGE	APPROX. WEIGHT LBS
DX3006	02", 03", 04"	4"	POA	29
DX3007	02", 03", 04"	6"	POA	32
DX3008	02", 03", 04"	8"	POA	35
DX3009	02", 03", 04"	10"	POA	38

REGULARLY FURNISHED: 14 Gauge Type 304 SS Receptor Body with Reinforced Stainless Steel Square Flange set 3/16" Below Rim and Cast Type 316 SS Ribbed Non-Tilt Loose Set Grate with 1/2" Square Holes. Flange has Glass Blast Finish for Bond Coat Adhesion and Countersunk Anchoring Holes. Body is Provided with Anchor Clips. Perforated SS Dome Bottom Strainer or Sediment Bucket is Indicated by Figure Number. Body Interior, Dome Bottom Strainer and Sediment Bucket are polished to No. 4 finish.

OUTLET VARIATIONS (Specify type of outlet and pipe size in inches.)

Outlet Type	Outlet Designation	ADD
No-Hub	Y02, Y03, Y04	POA
Butt Weld	BW02, BW03, BW04 (Schedule -5)	POA
	BW02, BW03, BW04 (Schedule -10)	POA
	BW02, BW03, BW04 (Schedule -40)	POA

OPTIONS:	ADD
-AB With 1/4 x 2 1/2 SS Anchor Bolts	POA
-AS With 1/4 x 2 1/2 SS Anchor Screws	POA
-FT With Flange Top set 3/8" or 1/2" Below Top of Rim and Grate	POA
-P Trap Primer Connection	POA
-U Vandal Proof Grate	POA
-SG With Screed Guide	POA
-T Male or Female Threaded Outlet	POA
-316 Type 316 Stainless Steel Bodies and Grates	POA

Anchor Flange (-F) Models:	ADD
-C Flashing Clamp (Type 304)	POA
-LSH Less Seepage Control Holes	POA

Models w/Buckets:	ADD
-BS With Mesh lined Bucket	POA
-DBS With Type 304 SS Dome Bottom Strainer	POA
-SBP With Solid Bottom Ported Bucket	POA

MODELS WITH 12" STAINLESS STEEL TOPS (All Type 304- Type 316 POA)

	DEDUCT
-10 Less Stainless Steel Grate	POA
	ADD
-12 With Type 304 SS 1/2 Grate	POA
-13 With Type 304 SS 3/4 Grate	POA
-14 With Type 304 SS Grate with 2 1/2" SQ Center Hole	POA
-15 With Type 304 SS Recessed Grate with Bar Handle	POA
-21 With Type 304 SS Grate with 4" DIA NB Funnel	POA
-22 With Type 304 SS Grate with 6" DIA NB Funnel	POA
-25 With Type 304 SS Grate with 8 1/4 x 3 1/4 x 4 1/2" High Oval NB Funnel	POA
-26 With NB Grate With 6" x 2 1/2 x 1" High Oval NB Funnel	POA
-41 With Type 304 SS Solid Cover	POA
-42 With Type 304 SS 1/2 Solid Cover	POA
-43 With Type 304 SS 3/4 Solid Cover	POA
-44 With Type 304 SS Solid Cover w/2 1/2" SQ Center Hole	POA
-61 With Type 304 SS Heelproof Ribbed Loose-set Grate with 1/4" Square Holes	POA
-62 With Type 304 SS Medium Duty Ribbed Loose-set Non-tilt Grate with 1/2" Square Holes	POA
-63 With Type 304 SS Medium Duty Ribbed Loose-set Non-tilt Grate with 1/4" Square Holes	POA
-64 With Type 304 SS Heavy Duty Ribbed Loose-set Non-tilt Grate with 1/2" Square Holes	POA
-66 With Type 304 SS Extra Heavy Duty Ribbed Loose-set Non-tilt Grate with 1/2" Square Holes	POA
-68 With Type 304 SS Extra Heavy Duty Ribbed Loose-set Non-tilt 3/4 Grate with 1/2" Square Holes	POA

SANITARY DRAINS

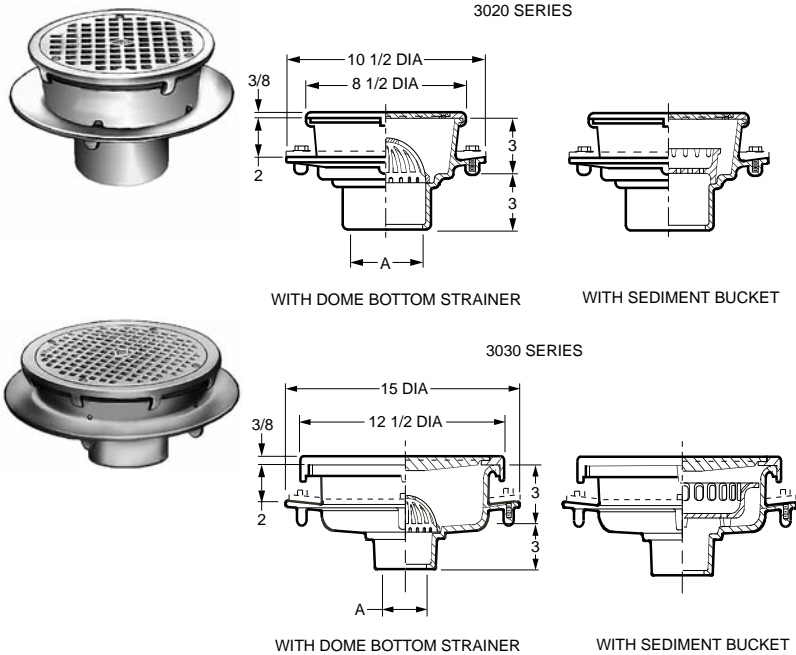
SMITH®



FIG. 3020 SERIES SANI-CEPT® ARC FLOOR & INDIRECT WASTE DRAINS, SHALLOW RECEPTOR, ROUND NICKEL BRONZE TOP
 FIG. 3030 SERIES SANI-CEPT® ARC FLOOR & INDIRECT WASTE DRAINS, SHALLOW RECEPTOR, ROUND NICKEL BRONZE TOP

FUNCTION: Used in kitchens, hospitals, food markets, restaurants, schools and all types of food handling areas where the ultimate in sanitation is desirable and a small capacity receptor is required.

OUTLET VARIATIONS (Specify type of outlet and pipe size in inches.)



Outlet Type	Outlet Designation	ADD
Inside Caulk	C02, C03, C04	N/C
Speedi-Seal Gasket*	02, 03, 04	35.00
No-Hub	Y02, Y03, Y04	N/C

OPTIONS:	3020 SER.	3030 SER.
-C Flashing Clamp	112.00	119.00
-DBSE ARC Dome Bottom Strainer	193.00	193.00
-G All Galvanized Receptor	N/C	N/C
-P Trap Primer Connection	117.00	117.00
-PDBS Polished Alum DBS	35.00	35.00
-U Vandal Proof Screws	46.00	46.00
-12 W/NB Rim and 1/2 Grate	N/C	N/C
-13 W/NBRim and 3/4 Grate	N/C	N/C
-14 W/NB Rim & Grate w/2 1/2 SQ Ctr Hole	107.00	107.00
-15 W/NB Rim and Alum Recessed Grate	117.00	213.00
-19 W/NB Rim and Hinged Grate	213.00	213.00
-21 W/NB Rim & Grate w/4" Dia NB Funnel	259.00	259.00
-22 W/NB Rim & Grate w/6" Dia NB Funnel	383.00	383.00
-25 W/NB Rim & Grate w/ 8 1/4 x 3 1/4 x 4 1/2 Oval NB Funnel	534.00	534.00
-26 W/NB Rim & Grate w/6 x 2 1/2 x 1 Oval NB Funnel	259.00	259.00
-41 W/NB Rim and Solid Cover	102.00	138.00
-42 W/NB Rim and 1/2 Solid Cover	102.00	138.00
-43 W/NB Rim and 3/4 Solid Cover	102.00	138.00
-44 W/NB Rim and Solid Cvr 2 1/2" Dia Ctr Hole	209.00	244.00
-51 W/Square NB Rim and NB Grate	264.00	295.00

FIG. NO.	A OUTLET SIZE	TOP SIZE	FREE AREA SQ IN	†ALUMINUM DOME BOTTOM STRAINER	†ALUMINUM SEDIMENT BUCKET	APPROX. WEIGHT LBS
3020	02", 03", 04"	8 1/2"	17.35	1,098.00	-	15
3021	02", 03", 04"	8 1/2"	17.35	-	1,234.00	16
3030	02", 03", 04"	12 1/2"	30	1,603.00	-	23
3031	02", 03", 04"	12 1/2"	30	-	1,795.00	24

	DEDUCT
-CI Duco Cast Iron Receptor	101.00
-FBS Aluminum Flat Bottom Strainer (Replaces DBS)	13.00
-10 Less NB Rim & Grate	263.00
-11 Less Grate, with NB Rim	128.00

REGULARLY FURNISHED: Cast Iron Flanged Receptor with Seepage Holes, Acid Resistant Coated Interior, Nickel Bronze Rim and Secured Grate. Aluminum Dome Bottom Strainer or Sediment Bucket as Indicated by Figure Number.

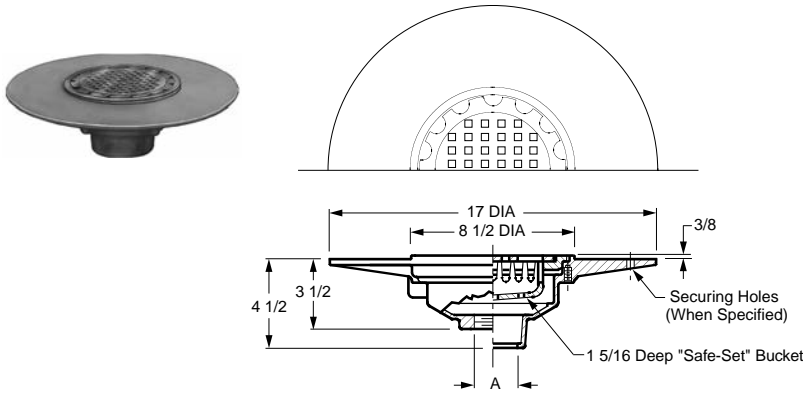
*Speedi-Seal Gasket Available for use with 2, 3, or 4" Caulk Outlet Bodies as Indicated. Specify Service Weight (SW) or Extra Heavy (XH).

SANITARY DRAINS



FIG. DX3027 SANI-CEPTOR® ARC FLOOR & INDIRECT WASTE DRAINS, WIDE FLANGE, ROUND NICKEL BRONZE TOP

FUNCTION: Used in kitchen areas where waterproof traffic floor coverings are applied. The acid resistant coated interior makes it ideal for kitchens, hospitals and schools. "Safe-Set" design insures bucket replacement after cleaning since top grate cannot be inserted unless bucket is in place.



OUTLET VARIATIONS (Specify type of outlet and pipe size in inches.)

Outlet Type	Outlet Designation Outlet Type/Pipe Size	ADD
Inside Caulk	C02, C03, C04	N/C
Threaded	T02, T03, T04	47.00
No-Hub	Y02, Y03, Y04, Y05, Y06	See Fig. 2646Y

OPTIONS:

Option	ADD
-SH Securing Holes	74.00
-U Vandal Proof Screws	35.00

DEDUCT

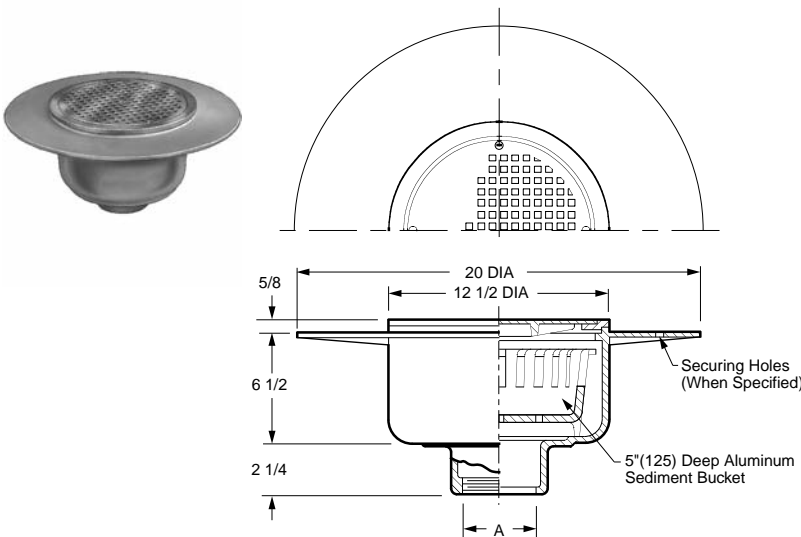
-LBGNB Less NB Bucket & Grate	58.00
-LBGPB Less PB Bucket & Grate	52.00

FIG. NO.	A OUTLET SIZE	TOP SIZE	FREE AREA SQ IN	PB TOP	†NB TOP	APPROX. WEIGHT LBS
DX3027	02", 03", 04"	8 1/2"	14.1	940.00	1,054.00	25

REGULARLY FURNISHED: Cast Iron Body with Acid Resistant Coated Interior and Nickel Bronze Top with Sediment Bucket.

FIG. DX3068 SANI-CEPTOR® ARC FLOOR & INDIRECT WASTE DRAINS, WIDE FLANGE, ROUND NICKEL BRONZE TOP

FUNCTION: Used in kitchen areas where waterproof traffic floor coverings are applied. The acid resistant coated interior makes it ideal for kitchens, hospitals and schools.



OUTLET VARIATIONS (Specify type of outlet and pipe size in inches.)

Outlet Type	Outlet Designation Outlet Type/Pipe Size	ADD
Inside Caulk	C02, C03, C04, C05, C06	N/C
Threaded	T02, T03, T04	47.00
Speedi-Seal Gasket*	02, 03, 04	35.00
No-Hub	Y02, Y03, Y04, Y05, Y06	See Fig. 2646Y

OPTIONS:

Option	ADD
-SH Securing Holes	74.00
-U Vandal Proof Screws	35.00

FIG. NO.	A OUTLET SIZE	TOP SIZE	FREE AREA SQ IN	PB TOP	†NB TOP	APPROX. WEIGHT LBS
DX3068	02", 03", 04"	12 1/2"	30	1,782.00	2,014.00	43
DX3068	05", 06"	12 1/2"	30	1,782.00	2,014.00	43

REGULARLY FURNISHED: Cast Iron Body with Acid Resistant Coated Interior and Nickel Bronze Top with Sediment Bucket.

*Speedi-Seal Gasket Available for use with 2, 3, or 4" Caulk Outlet Bodies as Indicated. Specify Service Weight (SW) or Extra Heavy (XH).

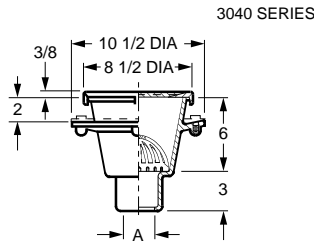
SANITARY DRAINS

SMITH®

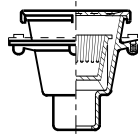


FIG. 3040 SERIES SANI-CEPT® ARC FLOOR & INDIRECT WASTE DRAINS, SHALLOW RECEPTOR, ROUND NICKEL BRONZE TOP
 FIG. 3060 SERIES SANI-CEPT® ARC FLOOR & INDIRECT WASTE DRAINS, SHALLOW RECEPTOR, ROUND NICKEL BRONZE TOP

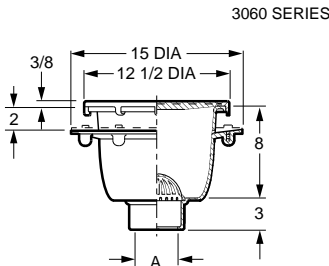
FUNCTION: Used in kitchens, hospitals, food markets, restaurants, schools and all types of food handling areas where the ultimate in sanitation is desirable and a small capacity receptor is required.



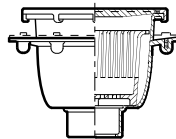
WITH DOME BOTTOM STRAINER



WITH SEDIMENT BUCKET



WITH DOME BOTTOM STRAINER



WITH SEDIMENT BUCKET

FIG. NO.	A OUTLET SIZE	TOP SIZE	FREE AREA SQ IN	†ALUMINUM DOME BOTTOM STRAINER	†ALUMINUM SEDIMENT BUCKET	APPROX. WEIGHT LBS
3040	02", 03", 04"	8 1/2"	17.35	1,254.00	-	22
3041	02", 03", 04"	8 1/2"	17.35	-	1,393.00	23
3060	02", 03", 04"	12 1/2"	30	1,855.00	-	35
3061	02", 03", 04"	12 1/2"	30	-	2,046.00	36

REGULARLY FURNISHED: Cast Iron Flanged Receptor with Seepage Holes, Acid Resistant Coated Interior, Nickel Bronze Rim and Secured Grate. Aluminum Dome Bottom Strainer or Sediment Bucket as Indicated by Figure Number.

OUTLET VARIATIONS (Specify type of outlet and pipe size in inches.)

Outlet Type	Outlet Designation	ADD
Inside Caulk	C02, C03, C04	N/C
Speedi-Set Outlet SW	L02, L03 (3060 Ser. only)	N/C
Speedi-Set Outlet XH	LXH02, LXH03 (3060 Ser. only)	N/C
Speedi-Seal Gasket*	02, 03, 04	35.00
No-Hub	Y02, Y03, Y04 (3060 Ser. only)	N/C

OPTIONS:

	3040 SER.	3060 SER.
-C Flashing Clamp	112.00	119.00
-DBSE ARC Dome Bottom Strainer	193.00	193.00
-G All Galvanized Receptor	N/C	N/C
-P Trap Primer Connection	117.00	117.00
-PDBS Polished Alum DBS	35.00	35.00
-U Vandal Proof Screws	46.00	46.00
-12 W/NB Rim and 1/2 Grate	N/C	N/C
-13 W/NBRim and 3/4 Grate	N/C	N/C
-14 W/NB Rim & Grate w/2 1/2 SQ Ctr Hole	107.00	107.00
-15 W/NB Rim and Alum Recessed Grate	117.00	213.00
-19 W/NB Rim and Hinged Grate	213.00	213.00
-21 W/NB Rim & Grate w/4" Dia NB Funnel	259.00	259.00
-22 W/NB Rim & Grate w/6" Dia NB Funnel	383.00	383.00
-25 W/NB Rim & Grate w/ 8 1/4 x 3 1/4 x 4 1/2 Oval NB Funnel	534.00	534.00
-26 W/NB Rim & Grate w/6 x 2 1/2 x 1 Oval NB Funnel	259.00	259.00
-41 W/NB Rim and Solid Cover	102.00	138.00
-42 W/NB Rim and 1/2 Solid Cover	102.00	138.00
-43 W/NB Rim and 3/4 Solid Cover	102.00	138.00
-44 W/NB Rim and 2 1/2" Dia Center Hole	209.00	244.00
-51 W/Square NB Rim and NB Grate	264.00	295.00

SANITARY DRAINS

DEDUCT

-CI Duco Cast Iron Receptor	101.00	173.00
-FBS Aluminum Flat Bottom Strainer (Replaces DBS)	13.00	13.00
-10 Less NB Rim & Grate	263.00	604.00
-11 Less Grate, with NB Rim	128.00	310.00

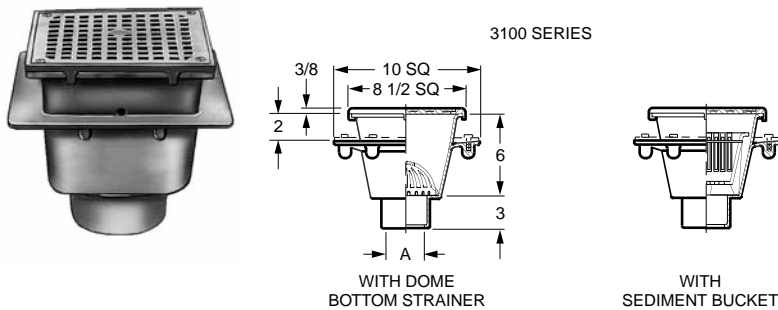
*Speedi-Seal Gasket Available for use with 2, 3, or 4" Caulk Outlet Bodies as Indicated. Specify Service Weight (SW) or Extra Heavy (XH).

SANITARY DRAINS



FIG. 3100 SERIES SANI-CEPTOR® ARC FLOOR & INDIRECT WASTE DRAINS, MEDIUM RECEPTOR, SQUARE NB TOP
FIG. 3110, 3120, 3130 SERIES SANI-CEPTOR® ARC FLOOR & INDIRECT WASTE DRAINS, MEDIUM & DEEP RECEPTORS, SQUARE NB TOP

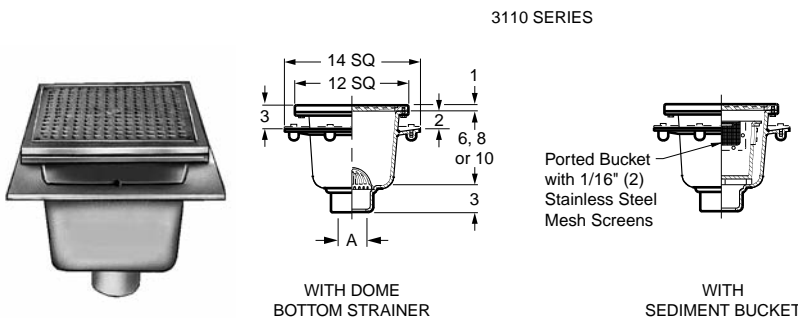
FUNCTION: 3100 Series: Used in kitchens, hospitals, food markets, restaurants, schools and all types of food handling areas where the ultimate in sanitation is desirable and a medium capacity receptor is required.



REGULARLY FURNISHED: Cast Iron Flanged Receptor with Seepage Holes, Acid Resistant Coated Interior, Nickel Bronze Rim and Secured Grate. Aluminum Dome Bottom Strainer or Sediment Bucket as Indicated by Figure Number.

FIG. NO.	A OUTLET SIZE	TOP SIZE	FREE AREA SQ IN	†ALUMINUM DOME BOTTOM STRAINER	†ALUMINUM SEDIMENT BUCKET	APPROX. WEIGHT LBS
3100	02", 03", 04"	8 1/2"	19.43	1,329.00	-	22
3101	02", 03", 04"	8 1/2"	19.43	-	1,449.00	23

FUNCTION: 3110, 3120 3130 Series: Used in creameries, dairies, breweries and other locations which utilize a quarry tile floor requiring a 3" flange to top dimension. The ported sediment bucket catches all solids yet provides ample drainage.



REGULARLY FURNISHED: Cast Iron Flanged Receptor with Seepage Holes, Acid Resistant Coated Interior, Nickel Bronze Rim and Secured Grate. Aluminum Dome Bottom Strainer or Sediment Bucket as Indicated by Figure Number.

FIG. NO.	A OUTLET SIZE	TOP SIZE	SUMP DEPTH	FREE AREA SQ IN	†ALUMINUM DOME BOTTOM STRAINER	†ALUMINUM SEDIMENT BUCKET	APPROX. WEIGHT LBS
3110	02", 03", 04"	12"	6	42	2,155.00	-	35
3111	02", 03", 04"	12"	6	42	-	2,349.00	36
3120	02", 03", 04"	12"	8	42	2,223.00	-	52
3121	02", 03", 04"	12"	8	42	-	2,414.00	55
3130	02", 03", 04"	12"	10	42	2,294.00	-	67
3131	02", 03", 04"	12"	10	42	-	2,486.00	71

OUTLET VARIATIONS (Specify type of outlet and pipe size in inches.)

Outlet Type	Outlet Designation	ADD
Inside Caulk	C02, C03, C04	N/C
Speedi-Set Outlet SW	L02, L03, L04	N/C
Speedi-Set Outlet XH	LXH02, LXH03, LXH04	N/C
Speedi-Seal Gasket*	02, 03, 04	35.00
No-Hub	Y02, Y03, Y04	N/C

OPTIONS:	3100 SERIES	ADD 3110/3120/3130 SERIES
-ASB Alum Slotted Bucket (in lieu of Ported)	N/C	N/C
-BS SS Mesh Lined Bucket (Bkt Models Only)	286.00	286.00
-C Flashing Clamp	112.00	119.00
-DBSE ARC Dome Bottom Strainer	193.00	193.00
-DID Drain Installation Device	125.00	125.00
-G All Galvanized Receptor	N/C	N/C
-PDBS Polished Alum DBS	35.00	35.00
-P Trap Primer Connection	117.00	117.00
-SBP Solid Bottom Ported Bucket w/Mesh Screen (Bucket Models Only)	-	145.00
-U Vandal Proof Screws	46.00	46.00
-12 W/NB Rim and 1/2 Grate	N/C	N/C
-13 W/NB Rim and 3/4 Grate	N/C	N/C
-14 W/NB Rim & Grate w/2 1/2 SQ Ctr Hole	107.00	107.00
-15 W/NB Rim and Alum Recessed Grate	117.00	213.00
-18 W/NB Rim and Angle Grate	-	722.00
-19 W/NB Rim and Hinged Grate	213.00	213.00
-21 W/NB Rim & Grate w/4" Dia NB Funnel	259.00	259.00
-22 W/NB Rim & Grate w/6" Dia NB Funnel	383.00	383.00
-25 W/NB Rim & Grate w/8 1/4 x 3 1/4 x 4 1/2 Oval NB Funnel	534.00	534.00
-26 W/NB Rim & Grate w/6 x 2 1/2 x 1 Oval NB Funnel	259.00	259.00
-41 W/NB Rim and Solid Cover	102.00	138.00
-42 W/NB Rim and 1/2 Solid Cover	102.00	138.00
-43 W/NB Rim and 3/4 Solid Cover	102.00	138.00
-44 W/NB Rim and Solid Cvr 2 1/2" Dia Center Hole	209.00	244.00
-69 W/NB Rim and XH Stainless Steel Secured Grate (12" tops)	-	1,431.00

	DEDUCT
-CI Duco Cast Iron Receptor	101.00
-FBS Alum. Flat Bottom Strnr (Replaces DBS)	13.00
-10 Less NB Rim & Grate	263.00
-11 Less Grate, with NB Rim	128.00

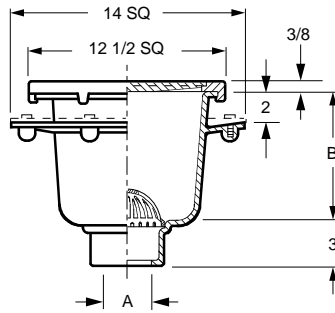
*Speedi-Seal Gasket Available for use with 2, 3, or 4" Caulk Outlet Bodies as Indicated. Specify Service Weight (SW) or Extra Heavy (XH).

SANITARY DRAINS

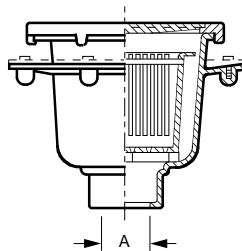


FIG. 3140, 3150, 3160 SERIES SANI-CEPTOR® ARC FLOOR & INDIRECT WASTE DRAINS, MEDIUM, DEEP & EXTRA DEEP RECEPTORS, SQUARE NB TOP

FUNCTION: Used in kitchens, hospitals, food markets, restaurants, schools and all types of food handling areas where the ultimate in sanitation is desirable and a medium capacity receptor is required.



WITH BOTTOM DOME STRAINER



WITH SEDIMENT BUCKET

FIG. NO.	A OUTLET SIZE	TOP SIZE	SUMP DEPTH	FREE AREA SQ IN	†ALUMINUM DOME BOTTOM STRAINER	†ALUMINUM SEDIMENT BUCKET	APPROX. WEIGHT LBS
3140	02", 03", 04"	12 1/2"	6	42	1,978.00	-	50
3141	02", 03", 04"	12 1/2"	6	42	-	2,171.00	54
3150	02", 03", 04"	12 1/2"	8	42	2,045.00	-	54
3151	02", 03", 04"	12 1/2"	8	42	-	2,238.00	57
3160	02", 03", 04"	12 1/2"	10	42	2,118.00	-	59
3161	02", 03", 04"	12 1/2"	10	42	-	2,310.00	63

REGULARLY FURNISHED: Cast Iron Flanged Receptor with Seepage Holes, Acid Resistant Coated Interior, Nickel Bronze Rim and Secured Grate. Aluminum Dome Bottom Strainer or Sediment Bucket as Indicated by Figure Number.

OUTLET VARIATIONS (Specify type of outlet and pipe size in inches.)

Outlet Type	Outlet Designation	Outlet Type/Pipe Size	ADD
Inside Caulk	C02, C03, C04		N/C
Speedi-Set Outlet SW	L02, L03, L04		N/C
Speedi-Set Outlet XH	LXH02, LXH03, LXH04		N/C
Speedi-Seal Gasket*	02, 03, 04		35.00
No-Hub	Y02, Y03, Y04		N/C

OPTIONS:

OPTION	DESCRIPTION	ADD
-ASB	Aluminum Slotted Bucket (Bucket Models Only)	N/C
-BS	SS Mesh Lined Bkt (Bucket Models Only)	286.00
-C	Flashing Clamp	119.00
-DBSE	ARC Dome Bottom Strainer	193.00
-DID	Drain Installation Device	125.00
-G	All Galvanized Receptor	N/C
-P	Trap Primer Connection	117.00
-PDBS	Polished Alum DBS	35.00
-SBP	Solid Bottom Ported Bucket w/SS mesh	145.00
-U	Vandal Proof Screws	46.00
-12	W/NB Rim and 1/2 Grate	N/C
-13	W/NB Rim and 3/4 Grate	N/C
-14	W/NB Rim & Grate w/2 1/2" SQ Hole (7" SQ. Center Hole on 16 1/2" Tops)	107.00
-15	W/NB Rim & Alum Recess Grate	117.00
-16	W/NB Rim & Heelproof Grate	422.00
-18	W/NB Rim & Angle Grate	722.00
-19	W/NB Rim and Hinged Grate	213.00
-21	W/NB Rim & Grate w/4" NB Funnel	259.00
-22	W/NB Rim & Grate w/6" NB Funnel	383.00
-25	W/NB Rim & Grate w/ 8 1/4 x 3 1/4 x 4 1/2 Oval NB Funnel	534.00
-26	W/NB Rim & Grate w/6 x 2 1/2 x 1 Oval NB Funnel	259.00
-41	W/NB Rim and Solid Cover	138.00
-42	W/NB Rim and 1/2 Solid Cover	138.00
-43	W/NB Rim and 3/4 Solid Cover	138.00
-44	W/NB Rim and Solid Cover 2 1/2" Dia Center Hole	244.00
-69	W/NB Rim and XH SS Secured Grate	1,431.00

DEDUCT

-CI	Duco Cast Iron Receptor	173.00
-FBS	Aluminum Flat Bottom Strainer (Replaces DBS)	13.00
-10	Less NB Rim & Grate	595.00
-11	Less Grate, with NB Rim	296.00

SANITARY DRAINS

*Speedi-Seal Gasket Available for use with 2, 3, or 4" Caulk Outlet Bodies as Indicated. Specify Service Weight (SW) or Extra Heavy (XH).

SANITARY DRAINS

SMITH®



FIG. 3200, 3250 SERIES SANI-CEPTOR® ARC FLOOR & INDIRECT WASTE DRAINS, EXTRA DEEP RECEPTORS, SQUARE & RECTANGULAR NB TOP

FUNCTION: Used in kitchens, schools, laundries and other commercial installations where a large volume of waste is anticipated and the ultimate in sanitation is desirable.

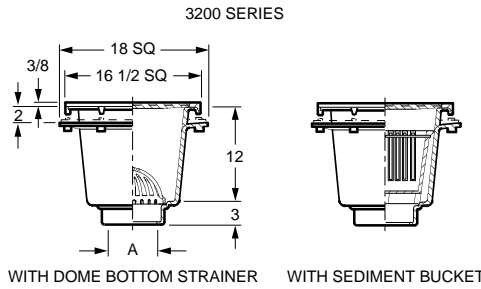


FIG. NO.	A OUTLET SIZE	TOP SIZE	FREE AREA SQ IN	†ALUMINUM DOME BOTTOM STRAINER	†ALUMINUM SEDIMENT BUCKET	APPROX. WEIGHT LBS
3200	02", 03", 04"	16 1/2"	77	3,595.00	-	83
3200	05", 06", 08"	16 1/2"	77	3,595.00	-	83
3201	02", 03", 04"	16 1/2"	77	-	4,099.00	87
3201	05", 06", 08"	16 1/2"	77	-	4,099.00	87

REGULARLY FURNISHED: 3200 Series: Cast Iron Flanged Receptor with Seepage Holes, Acid Resistant Coated Interior, Nickel Bronze Rim and Secured Grate. Aluminum Dome Bottom Strainer or Sediment Bucket as Indicated by Figure Number.

FUNCTION: Used in kitchens, schools, laundries and other commercial installations where a large volume of waste is anticipated and the ultimate in sanitation is desirable.

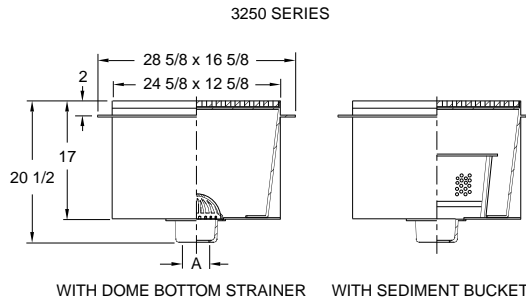


FIG. NO.	A OUTLET SIZE	TOP SIZE	FREE AREA SQ IN	†ARC CI DOME BOTTOM STRAINER	†STAINLESS STEEL SEDIMENT BUCKET	APPROX. WEIGHT LBS
3250	02", 03", 04"	24 x 12"	125	7,396.00	-	134
3250	05", 06"	24 x 12"	125	7,396.00	-	134
3251	02", 03", 04"	24 x 12"	125	-	8,539.00	134
3251	05", 06"	24 x 12"	125	-	8,539.00	134

REGULARLY FURNISHED: 3200 Series:
3250 Series: Fabricated Steel Flanged Receptor with Acid Resistant Coated Interior and Nickel Bronze Rim and Secured Grate. Acid Resistant Coated Dome Bottom Strainer or Stainless Steel Sediment Bucket as Indicated By Figure Number.

OUTLET VARIATIONS (Specify type of outlet and pipe size in inches.)

Outlet Type	Outlet Designation	Outlet Type/Pipe Size	ADD
Inside Caulk	C02, C03, C04		N/C
	C05, C06, C08		N/C
Speedi-Seal Gasket*	02, 03, 04		35.00
No-Hub	Y02, Y03, Y04		POA
	Y05, Y06 (3200 Ser. Only)		POA

OPTIONS:

		3200 SERIES	ADD 3250 SERIES
-ASB	Aluminum Slotted Bucket (Bkt Models Only)	N/C	N/C
-BS	SS Mesh Lined Bkt (Bkt Models Only)	571.00	-
-C	Flashing Clamp	342.00	342.00
-DBSE	ARC Dome Bottom Strainer	193.00	-
-G	All Galvanized Receptor	N/C	N/C
-P	Trap Primer Connection	117.00	230.00
-PDBS	Polished Alum DBS	35.00	35.00
-U	Vandal Proof Screws	46.00	46.00
-12	W/NB Rim and 1/2 Grate	N/C	N/C
-13	W/NB Rim and 3/4 Grate	N/C	-
-14	W/NB Rim & Grate w/2 1/2" SQ Hole (7" SQ. Center Hole on 16 1/2" Tops)	107.00	-
-21	W/NB Rim & Grate w/4" NB Funnel	259.00	259.00
-22	W/NB Rim & Grate w/6" NB Funnel	383.00	383.00
-25	W/NB Rim & Grate w/ 8 1/4 x 3 1/4 x 4 1/2 Oval NB Funnel	534.00	534.00
-26	W/NB Rim & Grate w/6 x 2 1/2 x 1 Oval NB Funnel	259.00	259.00
-41	W/NB Rim and Solid Cover	373.00	-
-42	W/NB Rim and 1/2 Solid Cover	373.00	-
-43	W/NB Rim and 3/4 Solid Cover	373.00	-
-44	W/NB Rim and Solid Cvr 2 1/2" Dia Center Hole	481.00	-

DEDUCT

-CI	Duco Cast Iron Receptor	230.00	-
-FBS	Aluminum Flat Bottom Strainer (Replaces DBS)	13.00	13.00
-10	Less NB Rim & Grate	1,256.00	1,293.00
-11	Less Grate, with NB Rim	630.00	818.00

*Speedi-Seal Gasket Available for use with 2, 3, or 4" Caulk Outlet Bodies as Indicated. Specify Service Weight (SW) or Extra Heavy (XH).

SANITARY DRAINS

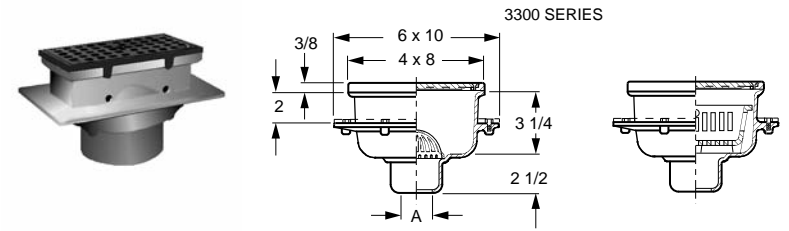
SMITH®



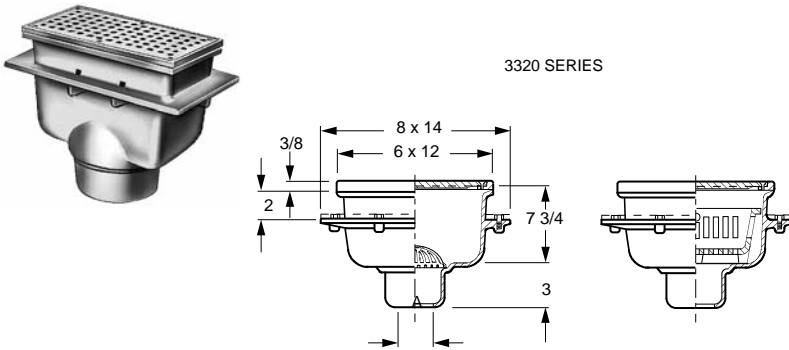
FIG. 3300 SERIES SANI-CEPTOR® ARC FLOOR & INDIRECT WASTE DRAINS, SHALLOW RECEPTOR, RECTANGULAR NB TOP
FIG. 3320 SERIES SANI-CEPTOR® ARC FLOOR & INDIRECT WASTE DRAINS, DEEP RECEPTOR, RECTANGULAR NB TOP

FUNCTION: Used in kitchens, hospitals, food markets, restaurants, schools and all types of food handling areas where the ultimate in sanitation is desirable and a small capacity receptor is required. Rectangular top is ideal for use under counters and along walls.

OUTLET VARIATIONS (Specify type of outlet and pipe size in inches.)



WITH DOME BOTTOM STRAINER WITH SEDIMENT BUCKET



WITH DOME BOTTOM STRAINER WITH SEDIMENT BUCKET

Outlet Type	Outlet Designation	ADD
Inside Caulk	C02, C03 (3300 Ser.)	N/C
	C02, C03, C04 (3320 Ser.)	N/C
Speedi-Set Outlet SW	L02 (3300 Ser.)	N/C
Speedi-Set Outlet XH	LXH02 (3300 Ser.)	N/C
Speedi-Seal Gasket*	02, 03 (3300 Ser.)	35.00
	02, 03 04 (3320 Ser.)	35.00
No-Hub	Y03 (3300 Ser.)	N/C

OPTIONS:	3300 SERIES	ADD 3320 SERIES
-C Flashing Clamp	112.00	112.00
-DBSE ARC Dome Bottom Strainer	193.00	193.00
-G All Galvanized Receptor	N/C	N/C
-P Trap Primer Connection	117.00	117.00
-PDBS Polished Alum DBS	35.00	35.00
-U Vandal Proof Screws	46.00	46.00
-12 W/NB Rim and 1/2 Grate	N/C	N/C
-14 W/NB Rim and Grate w/ 2 1/2" Center Hole	107.00	-
-15 W/NB Rim and Alum Recessed Grate	117.00	117.00
-21 W/NB Rim & Grate w/4" Dia NB Funnel	259.00	259.00
-22 W/NB Rim & Grate w/6" Dia NB Funnel	383.00	383.00
-25 W/NB Rim & Grate w/ 8 1/4 x 3 1/4 x 4 1/2 Oval NB Funnel	534.00	534.00
-26 W/NB Rim & Grate w/6 x 2 1/2 x 1 Oval NB Funnel	259.00	259.00
-31 W/NB Rim and Extra Heavy Grate	268.00	-
-41 W/NB Rim and Solid Cover	102.00	102.00
-42 W/NB Rim and 1/2 Solid Cover	102.00	102.00

FIG. NO.	A OUTLET SIZE	TOP SIZE	FREE AREA SQ IN	†ALUMINUM DOME BOTTOM STRAINER	†ALUMINUM SEDIMENT BUCKET	APPROX. WEIGHT LBS
3300	02", 03"	4 x 8"	6.7	1,306.00	-	17
3301	02", 03"	4 x 8"	6.7	-	1,425.00	19
3320	02", 03", 04"	6 x 12"	16.1	1,768.00	-	38
3321	02", 03", 04"	6 x 12"	16.1	-	1,884.00	38

REGULARLY FURNISHED: Cast Iron Flanged Receptor with Seepage Holes, Acid Resistant Coated Interior, Nickel Bronze Rim and Secured Grate. Aluminum Dome Bottom Strainer or Sediment Bucket as Indicated by Figure Number.

DEDUCT	3300 SERIES	3320 SERIES
-CI All Duco Cast Iron Receptor	101.00	173.00
-FBS Alum. Flat Bottom Strnr (Replaces DBS)	13.00	13.00
-10 Less NB Rim & Grate	230.00	259.00
-11 Less Grate, with NB Rim	185.00	207.00

*Speedi-Seal Gasket Available for use with 2, 3, or 4" Caulk Outlet Bodies as Indicated. Specify Service Weight (SW) or Extra Heavy (XH).

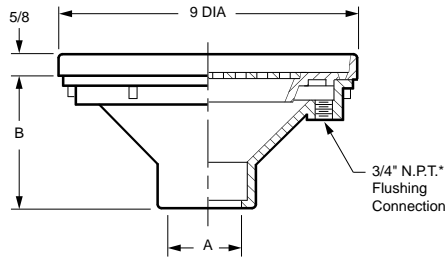
SANITARY DRAINS

SANITARY DRAINS

FIG. 3365 SANI-CEPTOR® ARC FLOOR & INDIRECT WASTE DRAINS, REFRIGERATOR DRAIN WITH RECESSED GRATE



FUNCTION: Used to receive waste from refrigerators and similar appliances. Purging of the sump by the flushing action prevents contamination.



A SIZE	B	FREE AREA	DUCO CI ARC INT PB Top	†DUCO CI ARC INT NB Top	APPROX. WEIGHT LBS
0150, 02"	4 1/2"	7.20	1,308.00	1,442.00	15
03"	3 1/2"	7.20	1,308.00	1,442.00	15

REGULARLY FURNISHED: Cast Iron Body with Acid Resistant Coated Interior and Nickel Bronze Top.

OUTLET VARIATIONS (Specify type of outlet and pipe size in inches.)

Outlet Type	Outlet Designation	Outlet Type/Pipe Size	ADD
Inside Caulk	C02, C03		N/C
Speedi-Seal Gasket*	02		35.00
Threaded	T0150, T02, T03		47.00
No-Hub	Y0150, Y02, Y03		See Fig. 2646Y

OPTIONS:	DEDUCT
-CI Duco CI Receptor	231.00

For Water Supply Control Boxes, See Fig 3380-3385

*Speedi-Seal Gasket Available for use with 2, 3, or 4" Caulk Outlet Bodies as Indicated. Specify Service Weight (SW) or Extra Heavy (XH).

FIG. 3370 SANI-CEPTOR® CAN WASHING FLOOR DRAINS

FUNCTION: Used in areas where it is desired to wash the interior of garbage and other cans, and prevent the solids from entering the waste line. The exclusive Smith design combines an engineered floor drain with a "single orifice" can washing nozzle. The spray from the nozzle is adjustable from a solid stream to a driving fine mist, providing a means for thoroughly scouring the interior of the can. The ported sediment bucket catches all solids, and provides ample drainage.

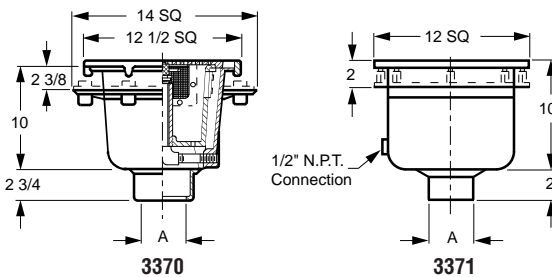


FIG. NO.	A OUTLET SIZE	TOP SIZE	FREE AREA SQ IN	ARC INT PB TOP	†ARC INT NB Top	APPROX. WEIGHT LBS
3370	02", 03", 04"	12"	42	3,029.00	3,087.00	80

REGULARLY FURNISHED: 3370: Cast Iron Body with A.R.C. Interior, Nickel Bronze Rim and Grate, Free Standing Aluminum Bucket with Ported Openings Lined with 1/4" Stainless Steel Mesh and Bronze Adjustable Nozzle Assembly.

FIG. NO.	A OUTLET SIZE	TOP SIZE	FREE AREA SQ IN	†STAINLESS STEEL	APPROX. WEIGHT LBS
3371	02", 03", 04"	12 1/2"	21	2,587.00	80

REGULARLY FURNISHED: 3371: 14 Gage Stainless Steel Body with No. 4 finish Interior, Stainless Grate, Free Standing Aluminum Bucket with Ported Openings Lined with 1/4" Stainless Steel Mesh and Bronze Adjustable Nozzle Assembly.

OUTLET VARIATIONS (Specify type of outlet and pipe size in inches.)

Outlet Type	Outlet Designation	Outlet Type/Pipe Size	ADD
Inside Caulk	C02, C03, C04		N/C
Speedi-Set SW	L02, L03, L04	(3370 Only)	N/C
Speedi-Set XH	LXH02, LXH03, LXH04	(3370 Only)	N/C
Speedi-Seal Gasket*	03, 04		35.00
Threaded	T02, T03, T04		47.00
No-Hub	Y02, Y03, Y04		N/C

OPTIONS:	ADD
-C Flashing Clamp (3370)	119.00
-C Flashing Clamp (3371)	119.00
-U Vandal Proof (3370)	46.00
-U Vandal Proof (3371)	385.00

*Speedi-Seal Gasket Available for use with 2, 3, or 4" Caulk Outlet Bodies as Indicated. Specify Service Weight (SW) or Extra Heavy (XH).

SANITARY DRAINS

FIG. 3380 WATER SUPPLY CONTROL BOXES



FUNCTION: With potable water supply protected by the integral atmospheric vacuum breaker used to supply hot, cold or tempered water to can washing drains, flushing rim drains or other devices requiring a water supply. All operating parts are protected from vandalism by means of the hinged door which is provided with a cylinder lock. Both the hot and cold water supplies are provided with integral screw driver stops allowing maintenance of the control valves without shutting down the main water supply. Fig. 3380 is furnished with plaster grounds and is usually flush mounted in plaster walls. Fig. 3385 is surface mounted and is usually used in brick or masonry construction.

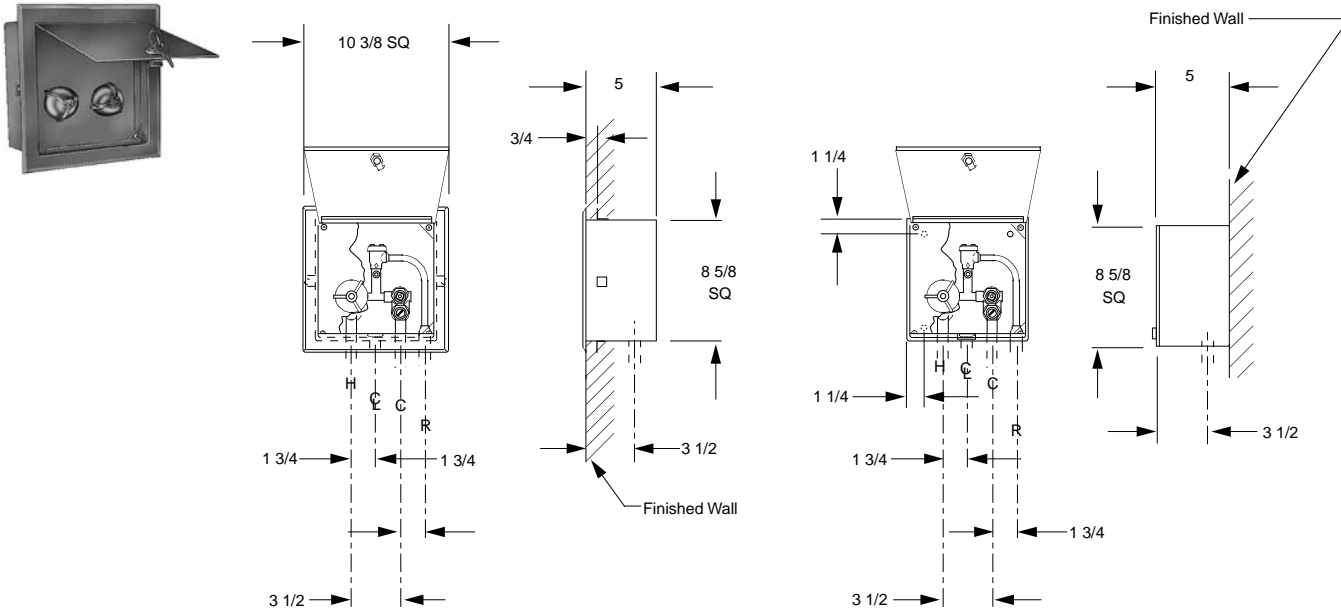


FIG. NO.	FACE OF WALL	SURFACE MOUNTED	APPROX. WEIGHT LBS
3380	3,250.00	-	15
3385	-	3,250.00	15

REGULARLY FURNISHED: Box: Type 304 stainless steel with cylinder type key lock and piano hinged cover. All exposed surfaces are polished to a No. 4 satin finish.

Internal Parts: Control valves, screwdriver stops and atmospheric type vacuum breaker are all bronze. Component parts are assembled with type "L" copper tubing and all connections are silver brazed. H & C inlet and remote outlet fittings are 1/2" NPT female. All are provided with integral ears secured to the control box with stainless steel vandal-proof screws, preventing damage during installation.

SANITARY DRAINS

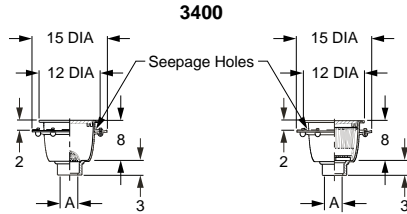
SANITARY DRAINS



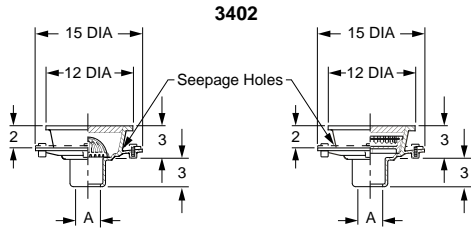
FIG. 3400 SERIES SANI-CEPTOR® ARC FLOOR & INDIRECT WASTE DRAINS, DEEP RECEPTOR, ARC ROUND NON-TRAFFIC TOP
 FIG. 3402 SERIES SANI-CEPTOR® ARC FLOOR & INDIRECT WASTE DRAINS, SHALLOW RECEPTOR, ARC ROUND NON-TRAFFIC TOP
 FIG. 3410 SERIES SANI-CEPTOR® ARC FLOOR & INDIRECT WASTE DRAINS, MEDIUM RECEPTOR, ARC SQUARE NON-TRAFFIC TOP

FUNCTION: Used in kitchens, hospitals, food markets, restaurants, schools and all types of food handling areas not subject to foot or other traffic, where the ultimate in sanitation is desirable and a large capacity receptor is required.

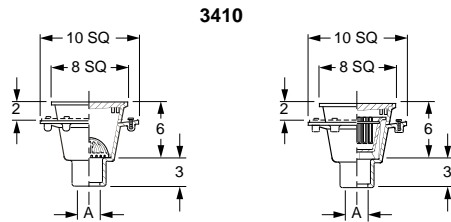
OUTLET VARIATIONS (Specify type of outlet and pipe size in inches.)



WITH DOME BOTTOM STRAINER WITH SEDIMENT BUCKET



WITH DOME BOTTOM STRAINER WITH SEDIMENT BUCKET



WITH DOME BOTTOM STRAINER WITH SEDIMENT BUCKET

FIG. NO.	A OUTLET SIZE	TOP SIZE	FREE AREA SQ IN	†ALUMINUM DOME BOTTOM STRAINER	†ALUMINUM SEDIMENT BUCKET	APPROX. WEIGHT LBS
3400	02", 03", 04"	12"	22	1,248.00	-	42
3401	02", 03", 04"	12"	22	-	1,440.00	38
3402	02", 03", 04"	12"	22	1,135.00	-	23
3412	02", 03", 04"	12"	22	-	1,328.00	24
3410	02", 03", 04"	8" SQ	11	1,069.00	-	50
3411	02", 03", 04"	8" SQ	11	-	1,189.00	54

REGULARLY FURNISHED: Cast Iron Flanged Receptor with Seepage Holes, Acid Resistant Coated Interior, and Loose Set Acid Resistant Coated Cast Iron Grate. Aluminum Dome Bottom Strainer or Sediment Bucket as Indicated by Figure Number.

Outlet Type	Outlet Designation Type/Pipe Size	ADD
Inside Caulk	C02, C03, C04	N/C
Speedi-Set SW	L02, L03, L04 (3402 Ser. Only)	N/C
Speedi-Set XH	LXH02, LXH03, LXH04 (3402 Ser. Only)	N/C
Speedi-Seal Gasket*	02, 03, 04 (3400/3402 Ser. Only)	35.00
No-Hub	Y02, Y03, Y04 (3400/3410 Ser. Only)	N/C

OPTIONS:

	3400 SER.	ADD 3410 SER.
-BS SS Mesh Lined Bkt (Bkt Models Only)	286.00	286.00
-C Flashing Clamp	119.00	112.00
-DBSE ARC Dome Bottom Strainer	193.00	193.00
-G All Galvanized Receptor	N/C	N/C
-P Trap Primer Connection	117.00	117.00
-PDBS Polished Alum DBS	35.00	35.00

ARC CAST IRON SERIES

-12 With ARC 1/2 Grate	N/C	N/C
-13 With ARC 3/4 Grate	N/C	N/C
-14 With ARC Grate w/2 1/2" DIA Ctr Hole	107.00	107.00
-15 With Alum Recessed Grate	117.00	-
-21 With ARC Grate w/4" Funnel	231.00	231.00
-22 With ARC Grate w/6" Funnel	296.00	296.00
-25 With ARC Grate w/8 1/4 x 3 1/4 x 4 1/2 Oval Funnel	384.00	384.00
-26 With ARC Grate w/6 x 2 1/2 x 1 Oval Funnel	231.00	231.00
-41 With ARC Solid Cover	69.00	58.00
-42 With ARC 1/2 Solid Cover	69.00	58.00
-43 With ARC 3/4 Solid Cover	69.00	58.00
-44 With ARC Solid Grate w/2 1/2" Dia. Center Hole	174.00	162.00

DUCO COATED CAST IRON SERIES

-12 With ARC 1/2 Grate	N/C	N/C
-13 With ARC 3/4 Grate	N/C	N/C
-14 With ARC Grate w/2 1/2" DIA Ctr Hole	107.00	107.00
-15 With Alum Recessed Grate	117.00	-
-21 With ARC Grate w/4" Funnel	107.00	107.00
-22 With ARC Grate w/6" Funnel	173.00	173.00
-25 With ARC Grate w/8 1/4 x 3 1/4 x 4 1/2 Oval Funnel	259.00	259.00
-26 With ARC Grate w/6 x 2 1/2 x 1 Oval Funnel	107.00	107.00
-41 With ARC Solid Cover	69.00	58.00
-42 With ARC 1/2 Solid Cover	69.00	58.00
-43 With ARC 3/4 Solid Cover	69.00	58.00
-44 With ARC Solid Grate w/2 1/2" Dia. Center Hole	174.00	162.00

DEDUCT

-CI Duco Cast Iron Receptor	173.00	101.00
-FBS Alum FBS (Replaces DBS)	13.00	13.00

ARC CAST IRON SERIES

-10 Less ARC Grate	161.00	117.00
--------------------	--------	--------

DUCO COATED CAST IRON SERIES

-10 Less Grate	58.00	46.00
----------------	-------	-------

*Speedi-Seal Gasket Available for use with 2, 3, or 4" Caulk Outlet Bodies as Indicated. Specify Service Weight (SW) or Extra Heavy (XH).

SANITARY DRAINS

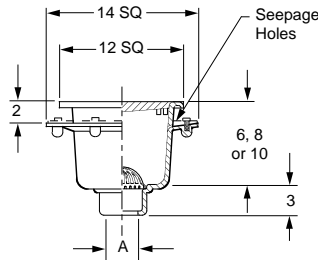
SMITH®

FIG. 3420-3441 SERIES SANI-CEPTOR® ARC FLOOR & INDIRECT WASTE DRAINS, MEDIUM, DEEP, EXTRA DEEP RECEPTOR, ARC SQUARE NON-TRAFFIC TOP

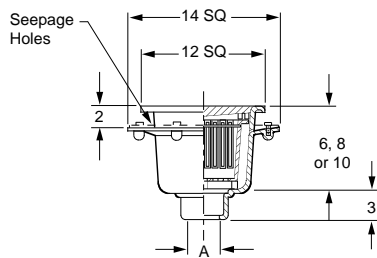


FUNCTION: Used in kitchens, hospitals, food markets, restaurants, schools and all types of food handling areas not subject to foot or other traffic. The deeper receptors are particularly useful for indirect waste applications or for handling a large volume of waste water.

3420 - 3441



WITH DOME BOTTOM STRAINER



WITH SEDIMENT BUCKET

FIG. NO.	A OUTLET SIZE	SUMP DEPTH	TOP SIZE	FREE AREA SQ IN	†ALUMINUM DOME BOTTOM STRAINER	†ALUMINUM SEDIMENT BUCKET	APPROX. WEIGHT LBS
3420	02", 03", 04"	6	12" SQ	26	1,521.00	-	50
3421	02", 03", 04"	6	12" SQ	26	-	1,711.00	54
3430	02", 03", 04"	8	12" SQ	26	1,587.00	-	54
3431	02", 03", 04"	8	12" SQ	26	-	1,780.00	57
3440	02", 03", 04"	10	12" SQ	26	1,662.00	-	69
3441	02", 03", 04"	10	12" SQ	26	-	1,855.00	73

REGULARLY FURNISHED: Cast Iron Flanged Receptor with Seepage Holes, Acid Resistant Coated Interior, and Loose Set Acid Resistant Coated Cast Iron Grate. Aluminum Dome Bottom Strainer or Sediment Bucket as Indicated by Figure Number.

OUTLET VARIATIONS (Specify type of outlet and pipe size in inches.)

Outlet Type	Outlet Designation	Outlet Type/Pipe Size	ADD
Inside Caulk	C02, C03, C04		N/C
Speedi-Set SW	L02, L03, L04		N/C
Speedi-Set XH	LXH02, LXH03		N/C
Speedi-Seal Gasket*	02, 03, 04		35.00
No-Hub	Y02, Y03, Y04		N/C

OPTIONS:

OPTION	DESCRIPTION	ADD
-BS	SS Mesh Lined Bucket (Bucket Models Only)	286.00
-C	Flashing Clamp	119.00
-DBSE	ARC Dome Bottom Strainer	193.00
-DID	Drain Installation Device	125.00
-G	All Galvanized Receptor	N/C
-P	Trap Primer Connection	117.00
-PDBS	Polished Alum DBS	35.00

ARC CAST IRON SERIES

-12	With ARC 1/2 Grate	N/C
-13	With ARC 3/4 Grate	N/C
-14	With ARC Grate w/2 1/2" DIA Ctr Hole	107.00
-15	With Alum Recessed Grate	117.00
-21	With ARC Grate w/4" Funnel	231.00
-22	With ARC Grate w/6" Funnel	296.00
-25	With ARC Grate w/8 1/4 x 3 1/4 x 4 1/2 Oval Funnel	384.00
-26	With ARC Grate w/6 x 2 1/2 x 1 Oval Funnel	231.00
-41	With ARC Solid Cover	69.00
-42	With ARC 1/2 Solid Cover	69.00
-43	With ARC 3/4 Solid Cover	69.00
-44	With ARC Solid Grate w/2 1/2" Dia. Center Hole	174.00

DUCO COATED CAST IRON SERIES

-12	With ARC 1/2 Grate	N/C
-13	With ARC 3/4 Grate	N/C
-14	With ARC Grate w/2 1/2" DIA Ctr Hole	107.00
-15	With Alum Recessed Grate	117.00
-21	With ARC Grate w/4" Funnel	107.00
-22	With ARC Grate w/6" Funnel	173.00
-25	With ARC Grate w/8 1/4 x 3 1/4 x 4 1/2 Oval Funnel	259.00
-26	With ARC Grate w/6 x 2 1/2 x 1 Oval Funnel	107.00
-41	With ARC Solid Cover	69.00
-42	With ARC 1/2 Solid Cover	69.00
-43	With ARC 3/4 Solid Cover	69.00
-44	With ARC Solid Grate w/2 1/2" Dia. Center Hole	174.00

OPTION	DESCRIPTION	DEDUCT
-CI	Duco Cast Iron Receptor	173.00
-FBS	Alum FBS (Replaces DBS)	13.00

ARC CAST IRON SERIES

-10	Less ARC Grate	138.00
-----	----------------	--------

DUCO COATED CAST IRON SERIES

-10	Less Grate	58.00
-----	------------	-------

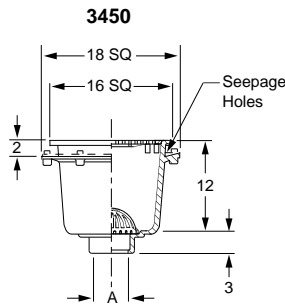
SANITARY DRAINS

*Speedi-Seal Gasket Available for use with 2, 3, or 4" Caulk Outlet Bodies as Indicated. Specify Service Weight (SW) or Extra Heavy (XH).

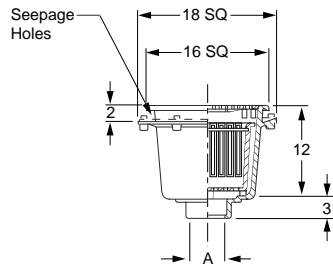
SANITARY DRAINS

FIG. 3450 SERIES SANI-CEPTOR® ARC FLOOR & INDIRECT WASTE DRAINS DEEP RECEPTOR, ARC SQUARE NON-TRAFFIC TOP

FUNCTION: Used in kitchens, hospitals, food markets, restaurants, schools and all types of food handling areas not subject to foot or other traffic, where the ultimate in sanitation is desirable and a large capacity receptor is required.



WITH DOME BOTTOM STRAINER



WITH SEDIMENT BUCKET

FIG. NO.	A OUTLET SIZE	TOP SIZE	FREE AREA SQ IN	†ALUMINUM DOME BOTTOM STRAINER	†ALUMINUM SEDIMENT BUCKET	APPROX. WEIGHT LBS
3450	02", 03", 04"	16" SQ	55	2,854.00	-	73
3450	05", 06", 08"	16" SQ	55	2,854.00	-	73
3451	02", 03", 04"	16" SQ	55	-	3,357.00	75
3451	05", 06", 08"	16" SQ	55	-	3,357.00	75

REGULARLY FURNISHED: Cast Iron Flanged Receptor with Seepage Holes, Acid Resistant Coated Interior, and Loose Set Acid Resistant Coated Cast Iron Grate. Aluminum Dome Bottom Strainer or Sediment Bucket as Indicated by Figure Number

OUTLET VARIATIONS (Specify type of outlet and pipe size in inches.)

Outlet Type	Outlet Designation Outlet Type/Pipe Size	ADD
Inside Caulk	C02, C03, C04	N/C
	C05, C06, C08	N/C
Speedi-Seal Gasket*	03, 04	35.00

OPTIONS:

OPTION	DESCRIPTION	ADD
-BS	Mesh Liner on Bucket (3451 only)	571.00
-C	Flashing Clamp	342.00
-DBSE	ARC Dome Bottom Strainer	193.00
-G	All Galvanized Receptor	N/C
-P	Trap Primer Connection	117.00
-PDBS	Polished Alum Dome Bottom Strainer	35.00

ARC CAST IRON SERIES

-12	With ARC 1/2 Grate	N/C
-13	With ARC 3/4 Grate	N/C
-14	With ARC Grate w/2 1/2" DIA Ctr Hole	107.00
-21	With ARC Grate w/4" ARC Funnel	231.00
-22	With ARC Grate w/6" ARC Funnel	296.00
-25	With ARC Grate w/ 8 1/4 x 3 1/4 x 4 1/2" Oval ARC Funnel	384.00
-26	With ARC Grate w/6 x 2 1/2 x 1" Oval ARC Funnel	231.00
-41	With ARC Solid Cover	90.00
-42	With ARC 1/2 Solid Cover	90.00
-43	With ARC 3/4 Solid Cover	90.00
-44	With ARC Solid Grate w/2 1/2" Dia. Center Hole	196.00

DUCO COATED CAST IRON SERIES

-12	With ARC 1/2 Grate	N/C
-13	With ARC 3/4 Grate	N/C
-14	With ARC Grate w/2 1/2" DIA Ctr Hole	107.00
-21	With ARC Grate w/4" ARC Funnel	107.00
-22	With ARC Grate w/6" ARC Funnel	173.00
-25	With ARC Grate w/ 8 1/4 x 3 1/4 x 4 1/2" Oval ARC Funnel	259.00
-26	With ARC Grate w/6 x 2 1/2 x 1" Oval ARC Funnel	107.00
-41	With ARC Solid Cover	90.00
-42	With ARC 1/2 Solid Cover	90.00
-43	With ARC 3/4 Solid Cover	90.00
-44	With ARC Solid Grate w/2 1/2" Dia. Center Hole	196.00

DEDUCT

-CI	Duco Cast Iron Receptor	230.00
-FBS	Alum Flat Bottom Strainer (Replaces DBS)	13.00

ARC CAST IRON SERIES

-10	Less ARC Grate	230.00
-----	----------------	--------

DUCO COATED CAST IRON SERIES

-10	Less Grate	90.00
-----	------------	-------

*Speedi-Seal Gasket Available for use with 2, 3, or 4" Caulk Outlet Bodies as Indicated. Specify Service Weight (SW) or Extra Heavy (XH).

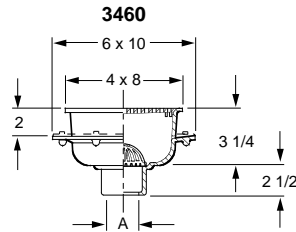
SANITARY DRAINS



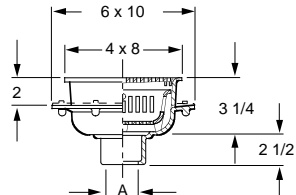
FIG. 3460-3470 SERIES SANI-CEPTOR® ARC FLOOR & INDIRECT WASTE DRAINS, SHALLOW, DEEP RECEPTOR, ARC RECTANGULAR NON-TRAFFIC TOP

FUNCTION: Used in kitchens, hospitals, food markets, restaurants, schools and all types of food handling areas not subject to foot or other traffic where the ultimate in sanitation is desirable and a small or large capacity receptor is required. Rectangular top is ideal for use under counters, and along walls.

OUTLET VARIATIONS (Specify type of outlet and pipe size in inches.)

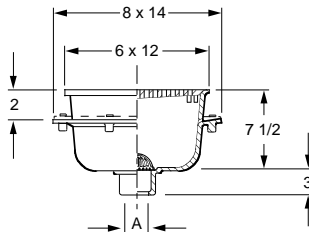


WITH DOME BOTTOM STRAINER

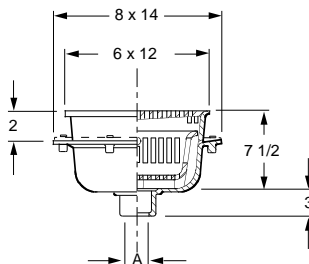


WITH SEDIMENT BUCKET

3470



WITH DOME BOTTOM STRAINER



WITH SEDIMENT BUCKET

Outlet Type	Outlet Designation	Outlet Type/Pipe Size	ADD
Inside Caulk		C02, C03, C04	N/C
Speedi-Seal Gasket*		02, 03, 04	35.00
No-Hub		Y03 (3460 Ser. Only)	N/C

OPTIONS:		3460 SER.	3470 SER.
-BS	SS Mesh Lined Bkt (Bkt Models Only)	286.00	286.00
-C	Flashing Clamp	112.00	112.00
-G	All Galvanized Receptor	N/C	N/C
-P	Trap Primer Connection	117.00	117.00
-PDBS	Polished Aluminum DBS	35.00	35.00
-12	1/2 Grate	N/C	N/C
-21	With ARC Grate w/4" Funnel	231.00	231.00
-22	With ARC Grate w/6" Funnel	296.00	296.00
-25	With ARC Grt w/8 1/4 x 4 1/2" Funnel	384.00	384.00
-26	With ARC Grate w/6 x 1" Oval Funnel	231.00	231.00

		DEDUCT
-CI	Duco Cast Iron Receptor	101.00 173.00
-FBS	Alum FBS (Replaces DBS)	13.00 13.00
-10	Less Grate	90.00 117.00

FIG. NO.	A OUTLET SIZE	TOP SIZE	FREE AREA SQ IN	†ALUMINUM DOME BOTTOM STRAINER	†ALUMINUM SEDIMENT BUCKET	APPROX. WEIGHT LBS
3460	02", 03"	4 x 8"	6.5	1,106.00	-	17
3461	02", 03"	4 x 8"	6.5	-	1,222.00	19
3470	02", 03", 04"	6 x 12"	13.75	1,473.00	-	35
3471	02", 03", 04"	6 x 12"	13.75	-	1,589.00	38

REGULARLY FURNISHED: Cast Iron Flanged Receptor with Acid Resistant Coated Interior with Loose Set Acid Resistant Coated Grate, Aluminum Dome Bottom Strainer or Aluminum Sediment Bucket as Indicated by Figure Number.

*Speedi-Seal Gasket Available for use with 2, 3, or 4" Caulk Outlet Bodies as Indicated. Specify Service Weight (SW) or Extra Heavy (XH).

SANITARY DRAINS

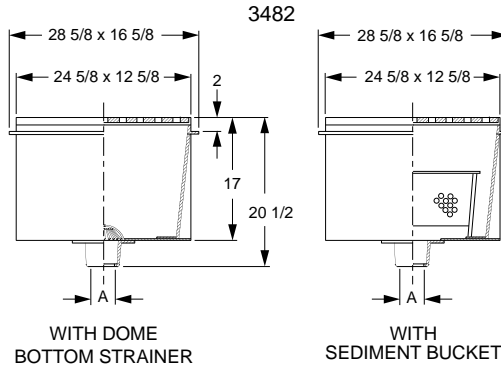
SMITH®

FIG. 3482 SERIES SANI-CEPTOR® ARC FLOOR & INDIRECT WASTE DRAINS, EXTRA LARGE DEEP RECEPTOR, ARC RECTANGULAR NON-TRAFFIC TOP



FUNCTION: Used in kitchens, hospitals, food markets, restaurants, schools and all types of food handling areas not subject to foot or other traffic where the ultimate in sanitation is desirable and a large capacity receptor is required. Rectangular top is ideal for use under counters and along walls.

OUTLET VARIATIONS (Specify type of outlet and pipe size in inches.)



Outlet Type	Outlet Designation Outlet Type/Pipe Size	ADD
Inside Caulk	C02, C03, C04, C05, C06	N/C
No-Hub	Y02, Y03, Y04	N/C

OPTIONS:	ADD.
-C Flashing Clamp	342.00
-G All Galvanized Receptor	N/C
-P Trap Primer Connection	230.00
-PDBS Polished Aluminum DBS	35.00
-12 Acid Resistant Coated 1/2 Grate	N/C
-13 Acid Resistant Coated 3/4 Grate	N/C

	DEDUCT
-FBS Alum FBS (Replaces DBS)	13.00
-10 Less Grate	571.00

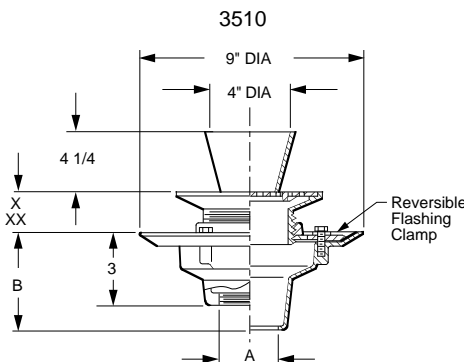
FIG. NO.	A OUTLET SIZE	TOP SIZE	FREE AREA SQ IN	†ALUMINUM DOME BOTTOM STRAINER	†STAINLESS STEEL SEDIMENT BUCKET	APPROX. WEIGHT LBS
3482	02", 03", 04"	24 x12"	125	5,780.00	-	130
3482	05", 06"	24 x12"	125	5,780.00	-	130
3483	02", 03", 04"	24 x12"	125	-	6,923.00	130
3483	05", 06"	24 x12"	125	-	6,923.00	130

REGULARLY FURNISHED: Fabricated Steel Flanged Receptor with Acid Resistant Coated Interior with Loose Set Acid Resistant Coated Grates, Aluminum Dome Bottom Strainer or Stainless Steel Sediment Bucket as Indicated By Figure Number.

FIG. 3510-F11 FUNNEL-CEPTOR® INDIRECT WASTE DRAINS WITH ADJUSTABLE STRAINER HEADS

FUNCTION: Used to receive waste water from indirect waste lines. Exposed grate surrounding funnel serves as drain for surrounding floor area. Adjustable strainer heads permit accurate positioning to meet finished floor level.

OUTLET VARIATIONS (Specify type of outlet and pipe size in inches.)



Outlet Type	Outlet Designation Outlet Type/Pipe Size	"B" Body HT. DIM.	ADD
Inside Caulk	C02, C03, C04	4"	N/C
Speedi-Set SW	L02, L03, L04	4"	N/C
Speedi-Set XH	LXH02, LXH03, LXH04	4"	N/C
Threaded	T02, T03, T04	3"	47.00
No-Hub	Y02, Y03, Y04	4"	N/C

OPTIONS:	ADD
-B Sediment Bucket	65.00
-BB Bronze Body (2-4")	734.00
5" or 6"	2,255.00
-G Galvanized Body	119.00
-P Trap Primer Conn	N/C
-U Vandal Proof Screws	33.00
3581 6" Dia Funnel, PB or NB	123.00
CP	135.00
3590 6 x 2 1/2 x 1" Funnel	N/C
Funnel Threaded into Grate	164.00

Drain Body Only	Duco CI	Galv CI
02, 03, 04"	117.00	236.00

A OUTLET SIZE	STRAINER SIZE DIA	FREE AREA SQ IN DIA	*X MIN	*X MAX	**XX MIN	**XX MAX	PB TOP & FUNNEL	†NB TOP & FUNNEL	CP TOP & FUNNEL	APPROX. WEIGHT LBS.
02, 03, 04"	05"	7	1 1/4	2 1/4	3/4	1 5/8	501.00	553.00	592.00	13
02, 03, 04"	06"	9	1 1/4	2 1/4	3/4	1 5/8	544.00	618.00	665.00	14
02, 03, 04"	07"	14	1 1/4	2 1/4	7/8	1 7/8	613.00	673.00	728.00	15
02, 03, 04"	08"	17	1 1/2	2 1/2	1	1 7/8	711.00	778.00	842.00	18
02, 03, 04"	09, 10"						891.00	966.00	1,049.00	20

* Collar in high position.
** Collar in low position.

REGULARLY FURNISHED: Duco Cast Iron Body and Flashing Collar with Adjustable Strainer Head with Secured Square Hole Grate and Funnel attached to the grate with concealed screws, permitting funnel to be moved to different positions on the grate. Type of Body and Strainer Head as indicated by Figure Number and Strainer Suffix Letter Selected.

NOTE: For body only pricing see Fig. 2010 page 179.

†REGULARLY FURNISHED

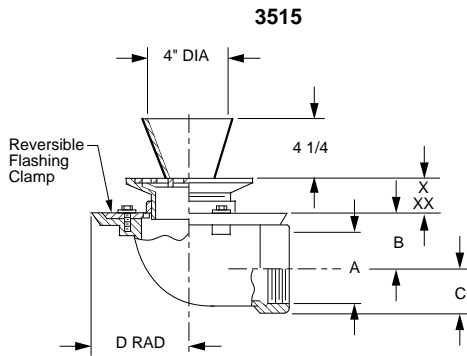
SANITARY DRAINS

SMITH®

FIG. 3515-F11 FUNNEL-CEPTOR® INDIRECT WASTE DRAINS WITH ADJUSTABLE STRAINER HEADS



FUNCTION: Used to receive waste water from indirect waste lines. Exposed grate surrounding funnel serves as drain for surrounding floor area. Adjustable strainer heads permit accurate positioning to meet finished floor level.



OUTLET VARIATIONS (Specify type of outlet and pipe size in inches.)

Outlet Type	Outlet Designation	Outlet Type/Pipe Size	ADD
Threaded	T02, T03, T04		N/C
No-Hub	Y02, Y03, Y04		See Fig. 2646Y
OPTIONS:			
-B	Sediment Bucket		65.00
-G	Galvanized Body		119.00
-P	Trap Primer Conn		N/C
-U	Vandal Proof Screws		33.00
	3581 6" Dia Funnel, PB or NB		123.00
	CP		135.00
	3590 6 x 2 1/2 x 1" Funnel		N/C
	Funnel Threaded into Grate		164.00
Drain Body Only			
	Duco CI		
02, 03"		249.00	Galv CI
04"		305.00	368.00
			424.00

A OUTLET SIZE	STRAINER SIZE DIA	FREE AREA SQ IN DIA	B	C	D	*X MIN MAX	**XX MIN MAX	PB TOP & FUNNEL	†NB TOP & FUNNEL	CP TOP & FUNNEL	APPROX. WEIGHT LBS.
02"	05"	7	2 3/4	1 1/4	4 3/4	1 1/4 2 1/4	3/4 1 5/8	633.00	685.00	724.00	18
03"	05"	7	2 3/4	2 1/4	4 3/4	1 1/4 2 1/4	3/4 1 5/8	633.00	685.00	724.00	18
04"	05"	7	3 1/4	3 1/4	6	1 1/4 2 1/4	3/4 1 5/8	689.00	741.00	780.00	20
02"	06"	9	2 3/4	1 1/4	4 3/4	1 1/4 2 1/4	3/4 1 5/8	676.00	750.00	797.00	19
03"	06"	9	2 3/4	2 1/4	4 3/4	1 1/4 2 1/4	3/4 1 5/8	676.00	750.00	797.00	19
04"	06"	9	3 1/4	3 1/4	6	1 1/4 2 1/4	3/4 1 5/8	732.00	806.00	853.00	19
02"	07"	14	2 3/4	1 1/4	4 3/4	1 1/4 2 1/4	7/8 1 7/8	746.00	805.00	860.00	20
03"	07"	14	2 3/4	2 1/4	4 3/4	1 1/4 2 1/4	7/8 1 7/8	746.00	805.00	860.00	20
04"	07"	14	3 1/4	3 1/4	6	1 1/4 2 1/4	7/8 1 7/8	802.00	861.00	916.00	20
02"	08"	17	2 3/4	1 1/4	4 3/4	1 1/2 2 1/2	1 1 7/8	711.00	778.00	842.00	22
03"	08"	17	2 3/4	2 1/4	4 3/4	1 1/2 2 1/2	1 1 7/8	843.00	910.00	974.00	22
04"	08"	17	3 1/4	3 1/4	6	1 1/2 2 1/2	1 1 7/8	899.00	966.00	1,030.00	25

NOTE: For body only pricing see Fig. 2015 page 179.

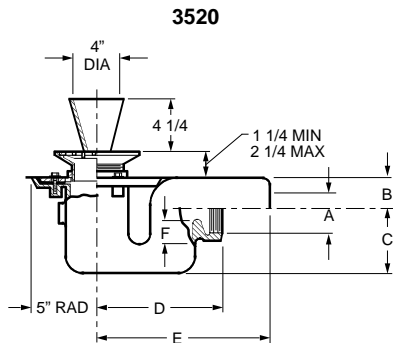
* Collar in high position.
** Collar in low position.

SANITARY DRAINS

REGULARLY FURNISHED: Duco Cast Iron Body and Flashing Collar with Adjustable Strainer Head with Secured Square Hole Grate and Funnel attached to the grate with concealed screws, permitting funnel to be moved to different positions on the grate. Type of Body and Strainer Head as indicated by Figure Number and Strainer Suffix Letter Selected.

FIG. 3520-F11 SERIES FUNNEL-CEPTOR® INDIRECT WASTE DRAINS W/ADJUSTABLE STRAINER HEADS, SHALLOW TRAP

FUNCTION: Used to receive waste water from indirect waste lines. Exposed grate surrounding funnel serves as drain for surrounding floor area. Adjustable strainer heads permit accurate positioning to meet finished floor level.



OUTLET VARIATIONS (Specify type of outlet and pipe size in inches.)

Outlet Type	Outlet Designation	Outlet Type/Pipe Size	ADD
Spigot (3521)	S02, S03, S04		N/C
Threaded (3520)	T02, T03, T04		N/C
OPTIONS:			
-B	Sediment Bucket		65.00
-BFV	Ball Float Bkwr Valve		230.00
-G	Galvanized Body		251.00
-NH	High Aux Inlet		209.00
-P	Trap Primer Conn		99.00
-U	Vandal Proof Screws		33.00
	3581 6" Dia Funnel, NB or PB		123.00
	CP		135.00
	3590 6x2 1/2x1" Funnel		N/C
	Funnel Threaded into Grate		164.00
DRAIN BODY ONLY			
	DUCO CI		
02, 03"		342.00	GALV CI
04"		541.00	593.00
			792.00

A OUTLET SIZE	STRAINER SIZE DIA	FREE AREA SQ IN DIA	B	C	D	E	F SEAL	PB TOP & FUNNEL	†NB TOP & FUNNEL	CP TOP & FUNNEL	APPROX. WEIGHT LBS.
02"	05"	7	1 3/4	5	6 3/4	9 1/2	2	726.00	778.00	817.00	21
03"	05"	7	2 1/4	4 1/2	9	12 1/4	2	726.00	778.00	817.00	21
04"	05"	7	3	8 1/2	10	12 3/4	2 1/2	925.00	977.00	1,016.00	22
02"	06"	9	1 3/4	5	6 3/4	9 1/2	2	769.00	843.00	890.00	22
03"	06"	9	2 1/4	4 1/2	9	12 1/4	2	769.00	843.00	890.00	22
04"	06"	9	3	8 1/2	10	12 3/4	2 1/2	968.00	1,042.00	1,089.00	21
02"	07"	14	1 3/4	5	6 3/4	9 1/2	2	839.00	898.00	953.00	31
03"	07"	14	2 1/4	4 1/2	9	12 1/4	2	839.00	898.00	953.00	31
04"	07"	14	3	8 1/2	10	12 3/4	2 1/2	1,038.00	1,097.00	1,152.00	31
02"	08"	17	1 3/4	5	6 3/4	9 1/2	2	936.00	1,003.00	1,067.00	39
03"	08"	17	2 1/4	4 1/2	9	12 1/4	2	936.00	1,003.00	1,067.00	39
04"	08"	17	3	8 1/2	10	12 3/4	2 1/2	1,135.00	1,202.00	1,266.00	40

REGULARLY FURNISHED: Duco Cast Iron Body and Flashing Collar with Adjustable Strainer Head with Secured Square Hole Grate and Funnel attached to the grate with concealed screws, permitting funnel to be moved to different positions on the grate. Type of Body and Strainer Head as indicated by Figure Number and Strainer Suffix Letter Selected.

NOTE: For body only pricing see Fig. 2020, 2021 page 180.

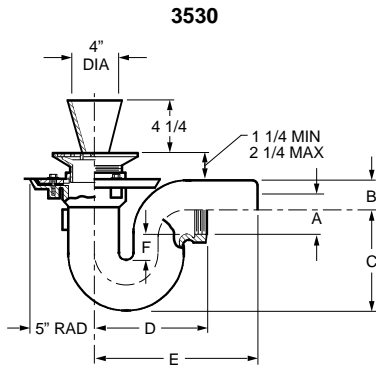
†REGULARLY FURNISHED

SANITARY DRAINS

FIG. 3530-F11 SERIES FUNNEL-CEPTOR® INDIRECT WASTE DRAINS WITH ADJUSTABLE STRAINER HEADS



FUNCTION: Used to receive waste water from indirect waste lines. Exposed grate surrounding funnel serves as drain for surrounding floor area. Adjustable strainer heads permit accurate positioning to meet finished floor level.



OUTLET VARIATIONS (Specify type of outlet and pipe size in inches.)

Outlet Type	Outlet Designation	Outlet Type/Pipe Size	ADD
Spigot (3531)	S02, S03, S04		N/C
Threaded (3530)	T02, T03, T04		N/C

OPTIONS:	ADD
-B Sediment Bucket	65.00
-BFV Ball Float Bkwtr Valve	230.00
-G Galvanized Body	251.00
-P Trap Primer Conn	99.00
-NH High Aux Inlet	209.00
-U Vandal Proof Screws	33.00
3581 6" Dia Funnel, PB or NB	123.00
CP	135.00
3590 6x2 1/2x1" Funnel	N/C
Funnel Threaded into Grate	164.00

DRAIN BODY ONLY	DUCO CI	GALV CI
02, 03"	402.00	653.00
04"	458.00	709.00

A OUTLET SIZE	STRAINER SIZE DIA	FREE AREA SQ IN DIA	B	C	D	E	F SEAL	PB TOP & FUNNEL	†NB TOP & FUNNEL	CP TOP & FUNNEL	APPROX. WEIGHT LBS.
02"	05"	7	1 3/4	5 1/4	5	8	2	786.00	838.00	877.00	25
03"	05"	7	2	7	8	10	2 1/4	786.00	838.00	877.00	25
04"	05"	7	3	8	10	12 3/4	2 1/2	842.00	894.00	933.00	26
02"	06"	9	1 3/4	5 1/4	5	8	2	829.00	903.00	950.00	26
03"	06"	9	2	7	8	10	2 1/4	829.00	903.00	950.00	26
04"	06"	9	3	8	10	12 3/4	2 1/2	885.00	959.00	1,006.00	24
02"	07"	14	1 3/4	5 1/4	5	8	2	899.00	958.00	1,013.00	28
03"	07"	14	2	7	8	10	2 1/4	899.00	958.00	1,013.00	28
04"	07"	14	3	8	10	12 3/4	2 1/2	955.00	1,014.00	1,069.00	28
02"	08"	17	1 3/4	5 1/4	5	8	2	996.00	1,063.00	1,127.00	35
03"	08"	17	2	7	8	10	2 1/4	996.00	1,063.00	1,127.00	35
04"	08"	17	3	8	10	12 3/4	2 1/2	1,052.00	1,119.00	1,183.00	39

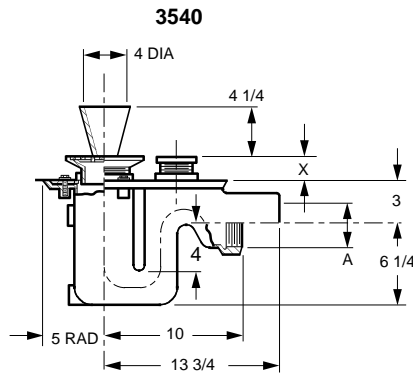
REGULARLY FURNISHED:

Duco Cast Iron Body and Flashing Collar with Adjustable Strainer Head with Secured Square Hole Grate and Funnel attached to the grate with concealed screws, permitting funnel to be moved to different positions on the grate. Type of Body and Strainer Head as indicated by Figure Number and Strainer Suffix Letter Selected.

NOTE: For body only pricing see Fig. 2030 page 180.

FIG. 3540-F11 SERIES FUNNEL-CEPTOR® INDIRECT WASTE DRAINS WITH ADJUSTABLE STRAINER HEADS

FUNCTION: Used to receive waste water from indirect waste lines. Exposed grate surrounding funnel serves as drain for surrounding floor area. Adjustable strainer heads permit accurate positioning to meet finished floor level.



OUTLET VARIATIONS (Specify type of outlet and pipe size in inches.)

Outlet Type	Outlet Designation	Outlet Type/Pipe Size	ADD
Spigot (3541)	S02, S03, S04		N/C
Threaded (3540)	T02, T03, T04		N/C

OPTIONS:	ADD
-B Sediment Bucket	65.00
-G Galvanized Body	319.00
-NH High Aux Inlet	209.00
-NL Low Auxiliary Inlet	209.00
-P Trap Primer Conn	99.00
-U Vandal Proof Screws	33.00
Funnel Threaded into Grate	164.00
3581 6" Dia Funnel, PB or NB	123.00
CP	135.00
3590 6x2 1/2x1" Funnel	N/C

DRAIN BODY ONLY	DUCO CI	GALV CI
02, 03, 04"	686.00	1,005.00

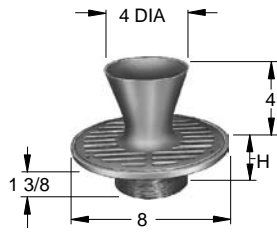
A OUTLET SIZE	STRAINER SIZE DIA	FREE AREA SQ IN DIA	X MIN	X MAX	PB TOP & FUNNEL	†NB TOP & FUNNEL	CP TOP & FUNNEL	APPROX. WEIGHT LBS.
02, 03, 04"	05"	7	1 1/4	2 1/4	1,070.00	1,122.00	1,161.00	37
02, 03, 04"	06"	7	1 1/4	2 1/4	1,113.00	1,187.00	1,234.00	39
02, 03, 04"	07"	7	1 1/4	2 1/4	1,183.00	1,242.00	1,297.00	41
02, 03, 04"	08"	9	1 1/2	2 1/2	1,280.00	1,347.00	1,411.00	43

NOTE: For body only pricing see Fig. 2040 page 181.

REGULARLY FURNISHED: Duco Cast Iron Body and Flashing Collar with Adjustable Strainer Head with Secured Square Hole Grate and Funnel attached to the grate with concealed screws, permitting funnel to be moved to different positions on the grate. Type of Body and Strainer Head as indicated by Figure Number and Strainer Suffix Letter Selected.

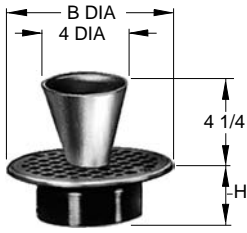
SANITARY DRAINS

OPTIONAL ADJUSTABLE STRAINER HEADS



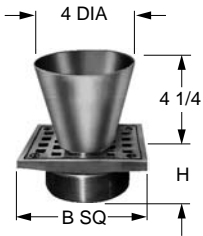
Suffix -F10

SUFFIX NUMBER	TOP SIZE	H	PB TOP	†NB TOP	CP TOP	APPROX. WEIGHT LBS
-F10	08"	2 3/8	641.00	730.00	804.00	8

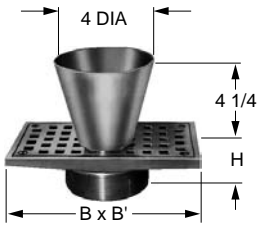


Suffix -F11

SUFFIX NUMBER	TOP SIZE B DIA or SQ	H	PB TOP	†NB TOP	CP TOP	APPROX. WEIGHT LBS
-F11	5"	2	384.00	436.00	477.00	5
-F11	6"	2	427.00	501.00	548.00	6
-F11	7"	2 1/4	497.00	556.00	609.00	7
-F11	8"	2 1/2	597.00	661.00	725.00	8
-F11	9"	2 1/2	774.00	849.00	933.00	11
-F11	10"	2 3/4	774.00	849.00	933.00	13
-F12	5" x 5"	2	462.00	532.00	582.00	5
-F12	6" x 6"	2	519.00	578.00	637.00	6
-F12	7" x 7"	2 1/4	594.00	664.00	728.00	7
-F12	8" x 8"	2 1/2	678.00	776.00	847.00	9
-F12	9" x 9"	2 1/2	837.00	944.00	1,034.00	11
-F12	10" x 10"	2 3/4	1,042.00	1,150.00	1,263.00	13

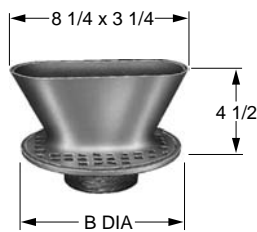


Suffix -F12



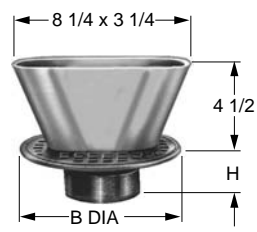
Suffix -F13, -F14, -F15, -F16
-F17 & -F18

SUFFIX NUMBER	TOP SIZE B x B'	H	PB TOP	†NB TOP	CP TOP	APPROX. WEIGHT LBS
-F13	4 1/4" x 8"	2 1/4	699.00	784.00	860.00	6
-F14	4" x 12"	2 1/2	781.00	915.00	1,004.00	11
-F15	5" x 9"	2 1/4	699.00	784.00	860.00	7
-F16	5" x 13"	3	894.00	1,013.00	1,111.00	11
-F17	5" x 17"	3	952.00	1,069.00	1,176.00	16
-F18	6" x 10"	2 1/4	894.00	1,013.00	1,111.00	11



Suffix -F19

SUFFIX NUMBER	TOP SIZE B DIA	H	PB TOP	†NB TOP	CP TOP	APPROX. WEIGHT LBS
-F19	8"	2 1/2	918.00	1,020.00	1,121.00	8
-F20	6"	2	702.00	777.00	852.00	9
-F21	7"	2 1/4	772.00	833.00	915.00	10
-F22	8"	2 1/2	871.00	936.00	1,030.00	11
-F23	9"	2 1/2	1,048.00	1,124.00	1,235.00	14
-F24	10"	2 3/4	1,048.00	1,124.00	1,235.00	16

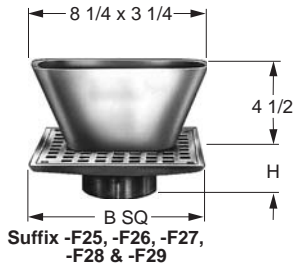


Suffix -F20, -F21, -F22,
-F23 & -F24

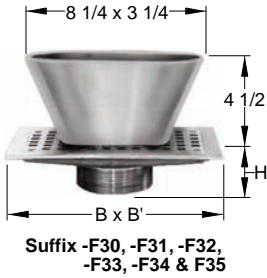
SANITARY DRAINS

SANITARY DRAINS

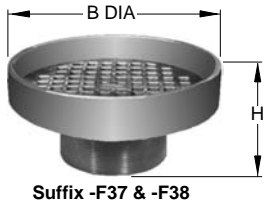
OPTIONAL ADJUSTABLE STRAINER HEADS



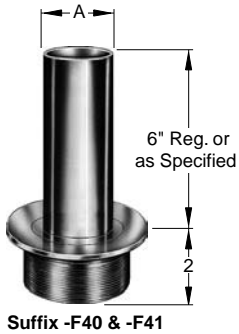
SUFFIX NUMBER	TOP SIZE B SQ	H	PB TOP	†NB TOP	CP TOP	APPROX. WEIGHT LBS
-F25	6" x 6"	2	792.00	853.00	939.00	9
-F26	7" x 7"	2 1/4	870.00	941.00	1,035.00	10
-F27	8" x 8"	2 1/2	952.00	1,051.00	1,150.00	12
-F28	9" x 9"	2 1/2	1,112.00	1,220.00	1,339.00	14
-F29	10" x 10"	2 3/4	1,318.00	1,427.00	1,570.00	17



SUFFIX NUMBER	TOP SIZE B x B'	H	PB TOP	†NB TOP	CP TOP	APPROX. WEIGHT LBS
-F30	4 1/4" x 8"	2 1/2	973.00	1,059.00	1,161.00	9
-F31	4" x 12"	2 1/2	1,056.00	1,191.00	1,308.00	14
-F32	5" x 9"	2 1/4	973.00	1,059.00	1,161.00	9
-F33	5" x 13"	3	1,169.00	1,251.00	1,415.00	14
-F34	6" x 10"	2 1/4	1,169.00	1,289.00	1,413.00	14
-F35	5" x 17"	3	1,225.00	1,344.00	1,477.00	19



SUFFIX NUMBER	TOP SIZE B DIA	H	DUCCO CI	PB TOP	†NB TOP	CP TOP	APPROX. WEIGHT LBS
-F37	7"	3 1/4	209.00	504.00	562.00	618.00	10
-F38	9"	3 1/2	286.00	756.00	835.00	916.00	13



SUFFIX NUMBER	A SIZE	STANDPIPE HEIGHT	PB TOP	†NB TOP	CP TOP	APPROX. WEIGHT LBS
-F40	2"	6"	665.00	845.00	956.00	10
For ea additional 1" Height			58.00	82.00	87.00	
-F41	3"	6"	1,029.00	1,143.00	1,277.00	13
For ea additional 1" Height			102.00	117.00	124.00	

FIG. 3580, 3581, 3590, 3591 FUNNEL ASSEMBLIES ONLY

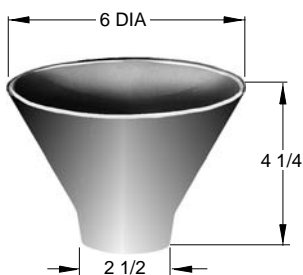
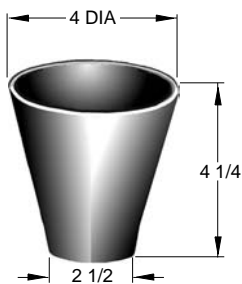
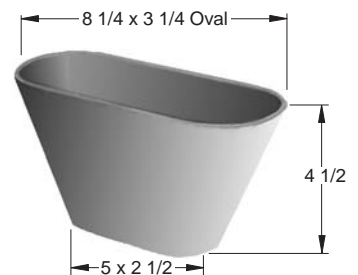


FIG. NO.	DESCRIPTION	†CI	GALV	ARC CI	RB	PB	NB	CP
3580	4" x 4 1/2"	107.00	145.00	231.00	183.00	221.00	259.00	284.00
3581	6" x 4 1/4"	173.00	234.00	296.00	305.00	343.00	383.00	419.00
3590	6" x 2 1/2" x 1"	107.00	141.00	231.00	182.00	221.00	259.00	282.00
3591	8 1/4" x 3 1/4" x 4 1/2"	259.00	299.00	384.00	419.00	496.00	534.00	586.00

OPTIONS:
 Male Threaded Funnel (Fig. 3580).....ADD 59.00



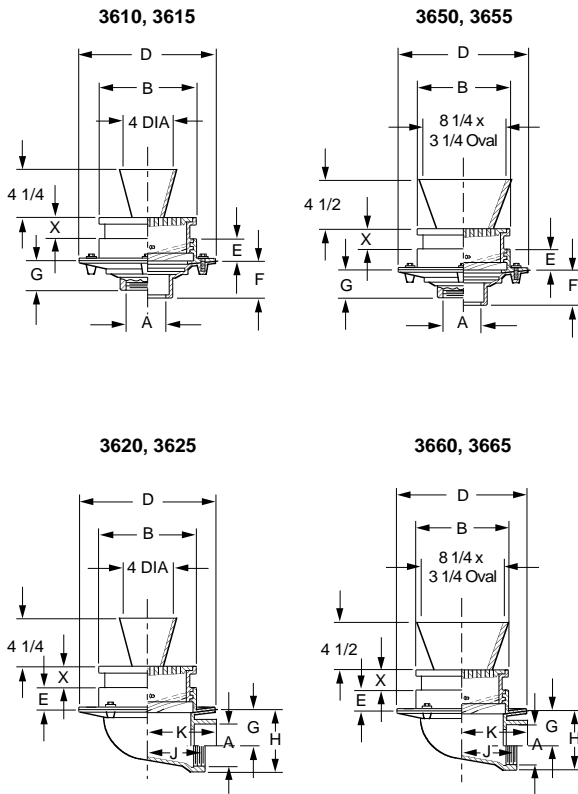
SANITARY DRAINS

SMITH®



FIG. 3610, 3615, 3650, 3655 FUNNEL-CEPTOR® INDIRECT WASTE DRAINS, BOTTOM OUTLET, ADJ. ROUND TOP AND ROUND FUNNEL
FIG. 3620, 3625, 3660, 3665 FUNNEL-CEPTOR® INDIRECT WASTE DRAINS, SIDE OUTLET, ADJ. ROUND TOP AND OVAL FUNNEL

FUNCTION: Used to receive the drip, condensate or waste water from indirect waste lines. The funnel prevents splashing and directs the waste into the drain. The exposed portion of grate serves as drain for any other waste on the floor. The funnel is attached to the grate by means of concealed screws and it may be moved to any grate location desired. Round or oval funnel is recommended for single pipe use only. Adjustable top permits accurate positioning of the grate, as necessary, to meet the finished floor level.



OUTLET VARIATIONS (Specify type of outlet and pipe size in inches.)

Outlet Designation	Outlet Type/Pipe Size	ADD
Speedi-Set SW	L02, L03, L04 Bottom Outlet Drains	N/C
Speedi-Set XH	LXH02, LXH03, LXH04 Bottom Outlet Drains	N/C
Threaded	T02, T03, T04, T05, T06 Bottom Outlet Drains	47.00
No-Hub	Y02, Y03, Y04 Bottom Outlet Drains	N/C
	8 1/2" Side Outlet Drains	See Fig. 2646Y
	12" Side Outlet Drains	N/C
	12" Side Outlet Drains	See Fig. 2646Y

OPTIONS:

Option	ADD
-B Sediment Bucket for 8 1/2" Drains	84.00
for 12" Drains	156.00
-P Trap Primer Connection	99.00
-SG Secured Grate	89.00
-U Vandal Proof Screws	89.00

FIG. NO.	A OUTLET SIZE	B DIA TOP SIZE	D DIA	E	F	G THD	*X MIN MAX	FREE AREA SQ IN	DUCO †CI TOP	PB TOP	NB TOP	CP TOP	APPROX. WEIGHT LBS.
3610	02", 03", 04"	8 1/2	11 1/2	2	3 3/4	2	1 1/4 2 3/4	14.25	540.00	923.00	984.00	1,118.00	33
3615	02", 03", 04"	12	15 1/4	2 1/2	5	3 3/4	1 5/8 2 7/8	28.5	1,139.00	1,648.00	1,750.00	1,769.00	58
3615	05", 06"	12	15 1/4	2 1/2	5	3 3/4	1 5/8 2 7/8	28.5	1,139.00	1,648.00	1,750.00	1,769.00	58
3650	02", 03", 04"	8 1/2	11 1/2	2	3 3/4	2	1 1/4 2 3/4	14.25	692.00	1,196.00	1,297.00	1,419.00	33
3655	02", 03", 04"	12	15 1/4	2 1/2	5	3 3/4	1 5/8 2 7/8	28.5	1,293.00	1,924.00	2,027.00	2,073.00	58
3655	05", 06"	12	15 1/4	2 1/2	5	3 3/4	1 5/8 2 7/8	28.5	1,293.00	1,924.00	2,027.00	2,073.00	58

*Add 1/4" when bronze top is specified.

FIG. NO.	A OUTLET SIZE	B DIA TOP SIZE	D DIA	E	G	H	J	K	X MIN MAX	FREE AREA SQ IN	DUCO †CI TOP	PB TOP	NB TOP	CP TOP	APPROX. WEIGHT LBS.
3620	02"	8 1/2	12	2	4 1/4	6	4	5 1/2	1 1/4 2 3/4	14.25	801.00	1,184.00	1,284.00	1,404.00	33
3620	03"	8 1/2	12	2	3 3/4	6	4	5 1/2	1 1/4 2 3/4	14.25	801.00	1,184.00	1,284.00	1,404.00	33
3620	04"	8 1/2	12	2	3 1/4	6	4	5 1/2	1 1/4 2 3/4	14.25	801.00	1,184.00	1,284.00	1,404.00	33
3625	02"	12	15 1/4	2 1/2	6 1/2	9	6	6 3/4	1 5/8 2 7/8	28.5	1,265.00	1,774.00	1,876.00	2,018.00	58
3625	03"	12	15 1/4	2 1/2	6	9	6	6 3/4	1 5/8 2 7/8	28.5	1,265.00	1,774.00	1,876.00	2,018.00	58
3625	04"	12	15 1/4	2 1/2	5 1/2	9	6	6 3/4	1 5/8 2 7/8	28.5	1,265.00	1,774.00	1,876.00	2,018.00	58
3625	05"	12	15 3/4	2 1/2	5	9	6 3/4	7 3/4	1 5/8 2 7/8	28.5	1,265.00	1,774.00	1,876.00	2,018.00	58
3625	06"	12	15 3/4	2 1/2	4	9	6 3/4	7 3/4	1 5/8 2 7/8	28.5	1,265.00	1,774.00	1,876.00	2,018.00	58
3660	02"	8 1/2	12	2	4 1/2	6	4	5 1/2	1 1/4 2 3/4	14.25	956.00	1,460.00	1,561.00	1,709.00	33
3660	03"	8 1/2	12	2	3 3/4	6	4	5 1/2	1 1/4 2 3/4	14.25	956.00	1,460.00	1,561.00	1,709.00	33
3660	04"	8 1/2	12	2	3 1/4	6	4	5 1/2	1 1/4 2 3/4	14.25	956.00	1,460.00	1,561.00	1,709.00	33
3665	02"	12	15 1/4	2 1/2	6 7/8	9	6	6 3/4	1 5/8 2 7/8	28.5	1,417.00	2,048.00	2,151.00	2,323.00	58
3665	03"	12	15 1/4	2 1/2	6 3/8	9	6	6 3/4	1 5/8 2 7/8	28.5	1,417.00	2,048.00	2,151.00	2,323.00	58
3665	04"	12	15 1/4	2 1/2	5 7/8	9	6	6 3/4	1 5/8 2 7/8	28.5	1,417.00	2,048.00	2,151.00	2,323.00	58
3665	05"	12	15 3/4	2 1/2	5	9	6 3/4	7 3/4	1 5/8 2 7/8	28.5	1,417.00	2,048.00	2,151.00	2,323.00	58
3665	06"	12	15 3/4	2 1/2	4 1/2	9	6 3/4	7 3/4	1 5/8 2 7/8	28.5	1,417.00	2,048.00	2,151.00	2,323.00	58

REGULARLY FURNISHED: Duco Cast Iron Flanged Receptor and Flashing Collar with Adjustable Top, Bar Grate and Funnel.

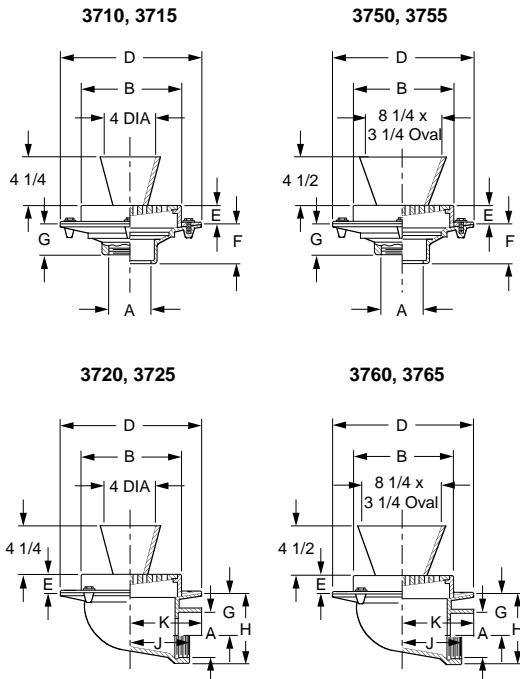
SANITARY DRAINS

SANITARY DRAINS



FIG. 3710, 3715 3750, 3755 FUNNEL-CEPTOR® INDIRECT WASTE DRAINS, BOTTOM OUTLET, ROUND TOP AND ROUND FUNNEL
FIG. 3720, 3725 3760, 3765 FUNNEL-CEPTOR® INDIRECT WASTE DRAINS, SIDE OUTLET, ROUND TOP AND OVAL FUNNEL

FUNCTION: Used to receive the drip, condensate or waste water from indirect waste lines. The funnel prevents splashing and directs the waste into the drain. The exposed portion of grate serves as drain for any other waste on the floor. The funnel is attached to the grate by means of concealed screws and it may be moved to any grate location desired. Round or ovalfunnel is recommended for single pipe use only. Adjustable top permits accurate positioning of the grate, as necessary, to meet the finished floor level.



OUTLET VARIATIONS (Specify type of outlet and pipe size in inches.)

Outlet Type	Outlet Designation	Outlet Type/Pipe Size	ADD
Speedi-Set SW	L02, L03, L04	Bottom Outlet Drains	N/C
Speedi-Set XH	LXH02, LXH03, LXH04	Bottom Outlet Drains	N/C
Threaded	T02, T03, T04, T05, T06	Bottom Outlet Drains	N/C
		Bottom Outlet Drains	47.00
		For Side Outlet Drains	N/C
No-Hub	Y02, Y03, Y04	Bottom Outlet Drains	N/C
		8 1/2" Side Outlet Drains	See Fig. 2646Y
		Y02, Y03, Y04	
		12" Side Outlet Drains	N/C
		Y05, Y06	
		12" Side Outlet Drains	See Fig. 2646Y

OPTIONS:	ADD
-B Sediment Bucket for 8 1/2" Drains	84.00
for 12" Drains	112.00
-P Trap Primer Connection	99.00
-SG Secured Grate	89.00
-U Vandal Proof Screws	89.00

FIG. NO.	A OUTLET SIZE	B DIA TOP SIZE	D DIA	E	F	G THD	FREE AREA SQ IN	DUCCO †CI TOP	PB TOP	NB TOP	CP TOP	APPROX. WEIGHT LBS.
3710	02", 03", 04"	8 1/2	11 1/2	2	3 3/4	2	14.25	415.00	798.00	898.00	983.00	33
3715	02", 03", 04"	12	15 1/4	2 1/2	5	3 3/4	28.5	742.00	1,251.00	1,353.00	1,486.00	58
3715	05", 06"	12	15 1/4	2 1/2	5	3 3/4	28.5	742.00	1,251.00	1,353.00	1,486.00	58
3750	02", 03", 04"	8 1/2	11 1/2	2	3 3/4	2	14.25	568.00	1,072.00	1,173.00	1,285.00	33
3755	02", 03", 04"	12	15 1/4	2 1/2	5	3 3/4	28.5	895.00	1,526.00	1,629.00	1,790.00	58
3755	05", 06"	12	15 1/4	2 1/2	5	3 3/4	28.5	895.00	1,526.00	1,629.00	1,790.00	58

*Add 1/4" when bronze top is specified.

FIG. NO.	A OUTLET SIZE	B DIA TOP SIZE	D DIA	E	G	H	J	K	FREE AREA SQ IN	DUCCO †CI TOP	PB TOP	NB TOP	CP TOP	APPROX. WEIGHT LBS.
3720	02"	8 1/2	12	2	4 1/4	6	4	5 1/2	14.25	678.00	1,061.00	1,161.00	1,272.00	33
3720	03"	8 1/2	12	2	3 3/4	6	4	5 1/2	14.25	678.00	1,061.00	1,161.00	1,272.00	33
3720	04"	8 1/2	12	2	3 1/4	6	4	5 1/2	14.25	678.00	1,061.00	1,161.00	1,272.00	33
3725	02"	12	15 1/4	2 1/2	6 7/8	9	6	6 3/4	28.5	1,142.00	1,651.00	1,690.00	1,817.00	58
3725	03"	12	15 1/4	2 1/2	6 3/8	9	6	6 3/4	28.5	1,142.00	1,651.00	1,690.00	1,817.00	58
3725	04"	12	15 1/4	2 1/2	5 7/8	9	6	6 3/4	28.5	1,142.00	1,651.00	1,690.00	1,817.00	58
3725	05"	12	15 3/4	2 1/2	5	9	6 3/4	7 3/4	28.5	1,142.00	1,651.00	1,690.00	1,817.00	58
3725	06"	12	15 3/4	2 1/2	4	9	6 3/4	7 3/4	28.5	1,142.00	1,651.00	1,690.00	1,817.00	58
3760	02"	8 1/2	12	2	4 1/4	6	4	5 1/2	14.25	828.00	1,332.00	1,433.00	1,575.00	33
3760	03"	8 1/2	12	2	3 3/4	6	4	5 1/2	14.25	828.00	1,332.00	1,433.00	1,575.00	33
3760	04"	8 1/2	12	2	3 1/4	6	4	5 1/2	14.25	828.00	1,332.00	1,433.00	1,575.00	33
3765	02"	12	15 1/4	2 1/2	6 7/8	9	6	6 3/4	28.5	1,295.00	1,926.00	2,029.00	2,120.00	58
3765	03"	12	15 1/4	2 1/2	6 3/8	9	6	6 3/4	28.5	1,295.00	1,926.00	2,029.00	2,120.00	58
3765	04"	12	15 1/4	2 1/2	5 7/8	9	6	6 3/4	28.5	1,295.00	1,926.00	2,029.00	2,120.00	58
3765	05"	12	15 3/4	2 1/2	5	9	6 3/4	7 3/4	28.5	1,295.00	1,926.00	2,029.00	2,120.00	58
3765	06"	12	15 3/4	2 1/2	4 1/2	9	6 3/4	7 3/4	28.5	1,295.00	1,926.00	2,029.00	2,120.00	58

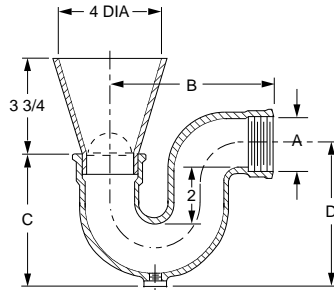
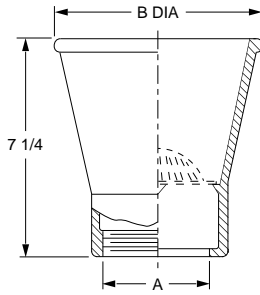
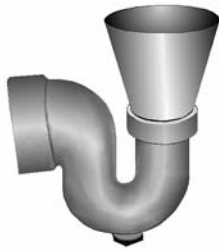
REGULARLY FURNISHED: Duco Cast Iron Flanged Receptor, Bar Grate and Funnel.

SANITARY DRAINS

FIG. 3811 SERIES, 3821 SERIES DRIP AND CONDENSATE FUNNELS



FUNCTION: Ideal for hospitals and industrial laboratories where indirect waste lines above the floor require receptors to receive drip, condensate or waste water. Use of "P" trap recommended for preventing sewer gases from entering room.



OUTLET VARIATIONS (Specify type of outlet and pipe size in inches.)

Outlet Type	Outlet Designation	ADD
Threaded.....	T02, T03, T04, T05, T06 (3811 thru 3814 only)	59.00
No-Hub.....	Y02, Y03, Y04, Y05, Y06	See Fig. 2646Y

OPTIONS:	ADD
-DBS Aluminum Dome Bottom Strainer	71.00
-DBS ARC CI DBS Figs 3811 or 3821	69.00
-DBS Duco CI DBS Figs 3812 or 3822	53.00
-DBS Cast Bronze DBS Figs 3813 or 3823	69.00
-DBS Chrome Plated DBS Figs 3814 or 3824	128.00
-FC Front Cleanout (Trap Series Only)	N/C
-NB 4" Dia NB Funnel w/Bronze Trap (Add to 3823).....	36.00
-NB 6" Dia NB Funnel w/Bronze Trap (Add to 3823).....	161.00

FUNNEL ONLY					
FIG. NO	DESCRIPTION	A PIPE SIZE			
		02"	03"	04"	06"
3811	Cast Iron with ARC Interior & Exterior	419.00	458.00	649.00	666.00
3812	Duco Cast Iron	230.00	268.00	458.00	476.00
3813	Cast Bronze	545.00	571.00	1,210.00	1,630.00
3814	Polished Chrome Plated Cast Bronze	629.00	659.00	1,295.00	1,800.00
B DIA		6	7	8	10
APPROX WT. LBS.		6	8	10	10
FUNNEL WITH TRAP					
FIG. NO	DESCRIPTION	A PIPE SIZE			ADD FOR 6" DIA FUNNEL
		0150"	02"	03"	
3821	Duco Cast Iron with ARC Interior & Exterior	421.00	615.00	711.00	65.00
3822	Duco Cast Iron	268.00	443.00	517.00	65.00
3823	Cast Bronze	791.00	791.00	1,288.00	122.00
3824	Polished Chrome Plated Cast Bronze	1,220.00	1,220.00	1,491.00	135.00
B		6	6	6	
C		5	5	6	
D		5 1/2	5 1/2	6	
APPROX WT. LBS.		9	9	13	2

REGULARLY FURNISHED: As described by Figure Number.

SANITARY DRAINS

SANITARY DRAINS

FIG. 3950, 3951, 3955 FIXED AIR GAPS, THREADED, NO-HUB OR SPIGOT OUTLET



FUNCTION: When installed between the fixture waste outlet and the plumbing drainage system, SMITH Fixed Air Gaps provide protection of fixtures such as food processing equipment, kitchen fixtures, storage tanks, etc., from contamination due to back flow in the drain line. (Air Gap fittings in plumbing waste lines are installed on the house side of the fixture trap.) SMITH Fixed Air Gaps when installed in the water supply to a fixture or appliance, such as evaporative coolers, sterilizers, etc., will prevent contamination from cross connection between the potable water supply and the fixture that handles a contaminating liquid or one that is connected to a plumbing waste line. Local codes should be checked.

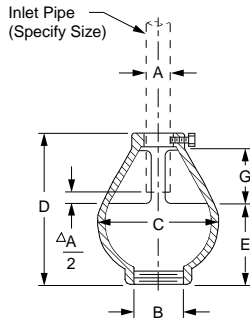


Fig. 3950T
THREADED OUTLET ONLY
(Specify A + B)

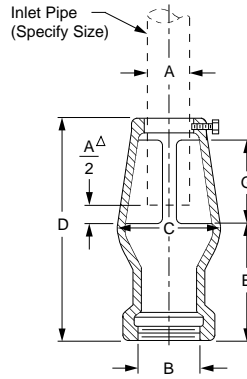


Fig. 3951T
THREADED OUTLET ONLY
(Specify A + B)

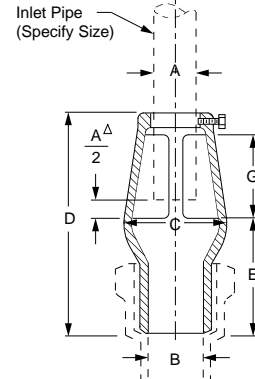


Fig. 3955S
NO-HUB OR SPIGOT OUTLET
(Specify A + B)

$$\frac{\Delta A}{2} = 1/2 \text{ Dia. of Inlet Pipe MIN}$$

FIG. NO.	A INLET SIZE	B OUTLET SIZE	C	D	E	G	DUCO †CI TOP	GALV CI (G)	CAST BRONZE (CB)	APPROX. WEIGHT LBS.
3950	0250"	075"	3	3	1 3/4	1	190.00	314.00	226.00	2
3950	050"	075"	4 1/4	5 1/2	3	2	190.00	314.00	226.00	2
3950	050"	01"	4 1/4	5 1/2	3	2	207.00	331.00	243.00	2
3950	075"	0150"	4 1/4	5 1/2	3	2	264.00	388.00	398.00	2 1/2
3950	01"	0150"	4 1/4	5 1/2	3	2	264.00	388.00	398.00	2 1/2
3951	01"	02"	3 1/2	8	4 1/4	3	209.00	333.00	406.00	4
3951	0125"	02"	3 1/2	8	4 1/4	3	209.00	333.00	406.00	4
3951	0150"	02"	3 1/2	8	4 1/4	3	209.00	333.00	406.00	4
3951	02"	03"	4 1/2	11 1/2	6 1/2	4	256.00	380.00	611.00	10
3951	03"	04"	6 1/2	15 1/2	8	6	350.00	474.00	1,136.00	19
3951	04"	06"	8 1/2	20	10	8	715.00	839.00	2,193.00	33
3955	01"	02"	3 1/2	8	4 1/4	3	182.00	306.00	402.00	4
3955	0125"	02"	3 1/2	8	4 1/4	3	182.00	306.00	402.00	4
3955	0150"	02"	3 1/2	8	4 1/4	3	182.00	306.00	402.00	4
3955	02"	03"	4 1/2	11 1/2	6 1/2	4	221.00	345.00	617.00	8
3955	03"	04"	6 1/2	15 1/2	8	6	325.00	449.00	796.00	19
3955	04"	06"	8 1/2	20	10	8	762.00	886.00	2,155.00	33

REGULARLY FURNISHED: Duco Cast Iron.

SANITARY DRAINS

FIG. 3960, 3970, 3980, ROOF-CEPTOR® INDIRECT WASTE DRAINS, MEDIUM DEPTH RECEPTORS



FUNCTION: Recommended for use in roof areas to receive waste water from air conditioning units, cooling towers and other mechanical equipment installed on the roof. The solid water dam prevents storm water from entering the waste line. The large vandal proof dome bottom strainer provides ample drainage and prevents entry of debris.

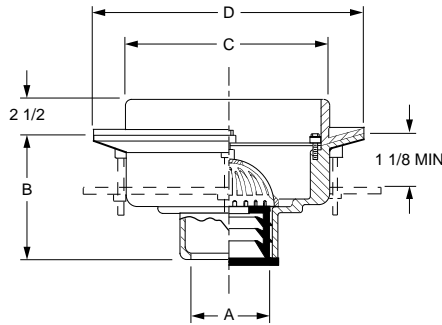


FIG. NO.	A OUTLET SIZE	C DIA. TOP SIZE	D DIA. FLANGE SIZE	†DUCO CI	GALV CI	APPROX. WEIGHT LBS
3960	02, 03, 04"	7 1/4"	8 1/2"	360.00	480.00	16
3970	02, 03, 04"	10 1/2"	12"	438.00	676.00	28
3970	05, 06"	10 1/2"	12"	438.00	676.00	30
3980	02, 03, 04"	12 1/2"	15 1/4"	570.00	1,152.00	37
3980	05, 06"	12 1/2"	15 1/4"	763.00	1,345.00	-

REGULARLY FURNISHED: Duco Cast Iron Receptor with Solid Water Dam and Cast Iron Dome Bottom Strainer Secured with Stainless Steel Vandal Proof Screws.

OUTLET VARIATIONS (Specify type of outlet and pipe size in inches.)

Outlet Type	Outlet Designation	"B" Body HT. DIM.	ADD
Inside Caulk	C02, C03, C04 (3960)	5 1/2"	N/C
	C02, C03, C04, C05, C06 (3970)	6"	N/C
	C02, C03, C04, C05, C06 (3980)	5"	N/C
Speedi-Set SW	L02, L03, L04 (3960)	5 1/2"	N/C
	L02, L03, L04, L05, L06 (3970)	6"	N/C
	L02, L03, L04, L05, L06 (3980)	5"	N/C
Speedi-Set XH	LXH02, LXH03, LXH04 (3960)	5 1/2"	N/C
	LXH02, LXH03, LXH04, LXH05, LXH06 (3970)	6"	N/C
	LXH02, LXH03, LXH04, LXH05, LXH06 (3980)	5"	N/C
Threaded	T02, T03, T04 (3960)	4 1/4"	47.00
	T02, T03, T04, T05, T06 (3970)	4 3/4"	47.00
	T02, T03, T04, T05, T06 (3980)	3 3/4"	47.00
No-Hub	Y02, Y03, Y04 (3960)	5 1/2"	N/C
	Y02, Y03, Y04, Y05, Y06 (3970)	6"	N/C
	Y02, Y03, Y04, Y05, Y06 (3980)	5"	N/C

OPTIONS:

OPTION	DESCRIPTION	ADD
-E	Extension, per inch, up to 4" (3960, 3970)	52.00
	Extension, up to 4" (3980)	402.00
	per inch over 4"	95.00
-C	Underdeck Clamp (3960, 3970)	90.00
	Underdeck Clamp (3980)	146.00
-R	Sump Receiver (3960, 3970)	156.00
	Sump Receiver (3980)	164.00

SANITARY DRAINS