



JAY R. SMITH MFG. CO.
 DIVISION OF SMITH INDUSTRIES, INC.
 POST OFFICE BOX 3237
 MONTGOMERY, ALABAMA 36109-0237 (USA)
 TEL: 334-277-8520 FAX: 334-272-7396 www.jrsmith.com



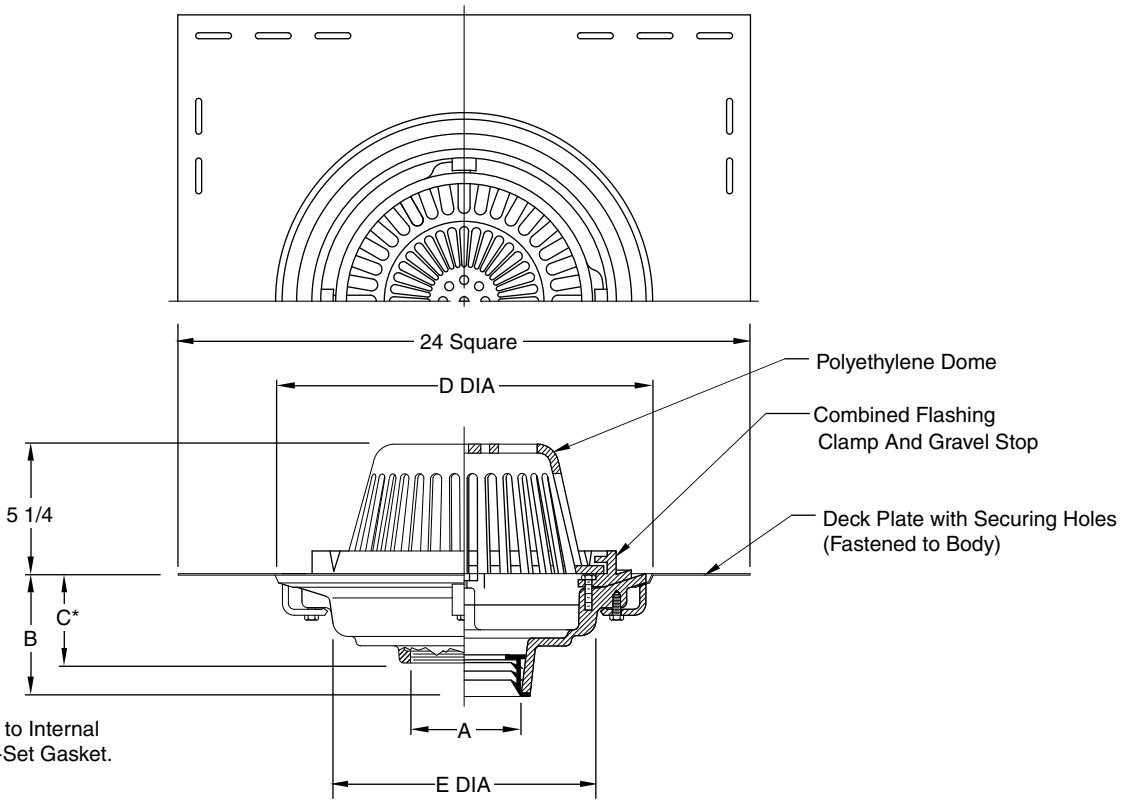
MEMBER OF:

LOCATION

SPECIAL PURPOSE ROOF DRAIN

LOW PROFILE DOME WITH DECK PLATE

FUNCTION: Used in flat roof of any construction. Large low profile dome provides sufficient free area for quick drainage of rain water and protects the drain sump and connected piping from the intrusion of debris. Attached wide deck plate has securing holes enabling drain to be secured to the roof deck from the top surface of the roof.



*This Dimension to Internal Shop of Speedi-Set Gasket.

Fig. 1010Y-(RDP) . . . NO-HUB OUTLET
 Fig. 1010C-(RDP) . . . CAULK OUTLET

A SIZE	B CAULK, NO-HUB, & SPEEDI-SET	THREADED	C*	D DIA	E DIA	FREE AREA SQ IN
02, 03 or 04	5	3 3/4	3 3/4	15 1/4	11	102.5
05 or 06	5	3 3/4	3 3/4	15 1/4	11	102.5
08 or 10	7 3/4	7 3/4	--	20	16	228

REGULARLY FURNISHED:

Duco Cast Iron Body with Attached Deck Plate with Securing Holes in Deck Plate, Combined Flashing Clamp and Gravel Stop with Polyethylene Dome.

VARIATIONS:

- L Speedi-Set Service Weight Outlet Conn. (02, 03, and 04) Sizes Only
- LXH Speedi-Set Extra Heavy Duty Outlet Conn. (02, 03, and 04) Sizes Only
- T Threaded Outlet Conn. Extension (Specify Height) -E
- Secondary Flashing Clamp -C2
- Vandal Proof Dome -U

OPTIONAL MATERIALS:

- ▲ Aluminum Dome -AD
- ▲ Cast Iron Dome -CID
- ▲ Galvanized Cast Iron Dome -CIDG
- Galvanized Cast Iron Body & Collar -CIDG
- ▲ Rough Bronze Dome -RBD
- Stainless Steel (Specify Fig. 9780)

▲ Optional domes' free area are as follows:

Dome Mat'l	02-06 Outlets	08 & 10 Outlets
Aluminum	98 (632)	150 (968)
Cast Iron	80 (516)	Reg. Furnished
Bronze	95 (613)	150 (968)

DRAWING NUMBER: S1010-RDP
 SIZE: A
 SCALE: NONE
 DATE: 02-10-2006
 APPROVED BY: CR
 CHECKED BY: CR
 DRAWN BY: CR
 DIMENSIONS ARE SUBJECT TO MANUFACTURERS TOLERANCE AND CHANGE WITHOUT NOTICE

1010-RDP

REV.	DATE	DESCRIPTION	BY	CKD. BY
B	06/03/09	Added Optional Dome Notes	JJ	CL
A	4-1-09	Updated Label	AM	CR

WEIGHT POUNDS	VOLUME CUBIC FEET

FIGURE NUMBER
1010-RDP