



JAY R. SMITH MFG. CO.
 DIVISION OF SMITH INDUSTRIES, INC.
 POST OFFICE BOX 3237
 MONTGOMERY, ALABAMA 36109-0237 (USA)
 TEL: 334-277-8520 FAX: 334-272-7396 www.jrsmith.com



LOCATION

DRAWING NUMBER
S1070 (-E-W)

SIZE
A

SCALE:
NONE

DATE:
02/12/08

APPROVED BY:
CL

CHECKED BY:
CL

DRAWN BY:
JJ

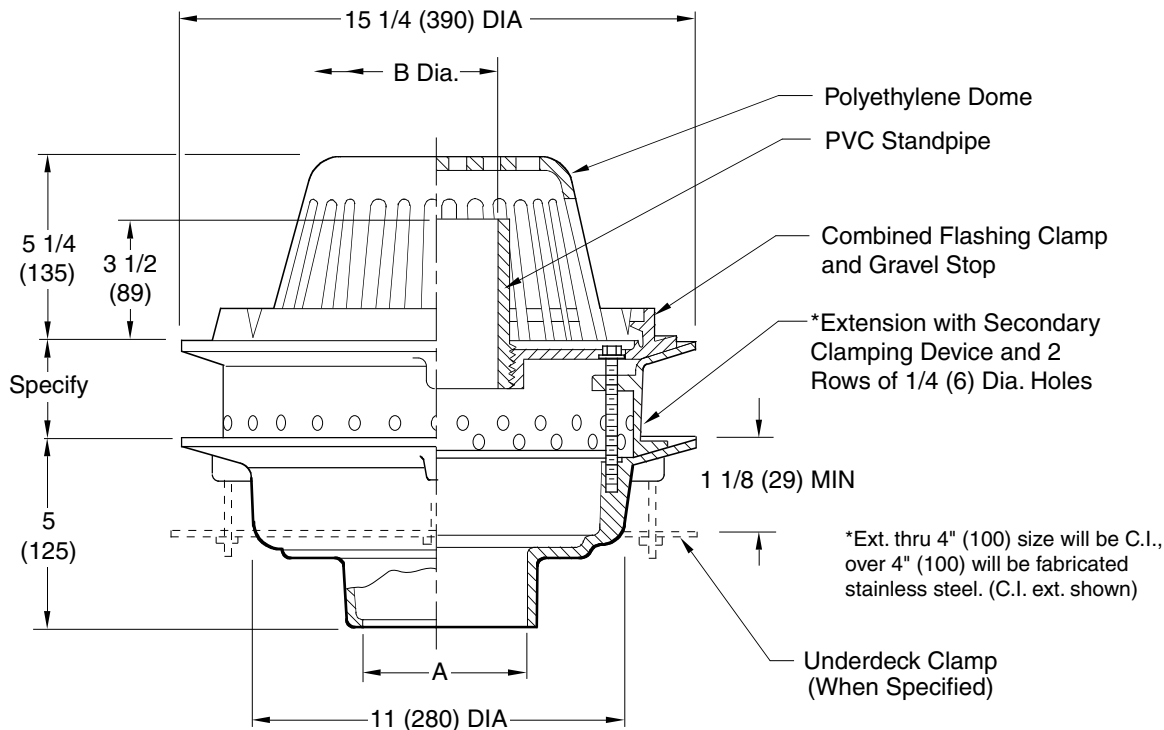
FIGURE NUMBER
1070 (-E-W)

WE CAN ASSUME NO RESPONSIBILITY FOR USE OF SUPERSEDED OR VOID DATA

LARGE SPECIAL PURPOSE ROOF DRAINS

WITH OVERFLOW STANDPIPE

Free Area
102.5 SQ IN
(661) SQ CM



A (Pipe Size)	02 (50)	03 (75)	04 (100)	05 (125)	06 (150)	08 (200)
B (DIA)	4 (100)	4 (100)	4 (100)	6 (150)	6 (150)	8 (200)

Fig. 1070C (-E-W) CAULK OUTLET
 Fig. 1070Y (-E-W) NO-HUB OUTLET

recommended deck opening	
with suffix -R	17 (430) DIA
less suffix -R	14 (355) DIA

REGULARLY FURNISHED:
 Duco Cast Iron Body, Extension with Secondary Clamping Device and 2 Rows of 1/4 (6) Dia. Holes, P.V.C. Standpipe, Combined Flashing Clamp and Gravel Stop and Polyethylene Dome.

VARIATIONS:
 Vandal Proof Dome -U
 Sump Receiver -R
 Underdeck Clamp -C
 T Threaded Outlet

OPTIONAL MATERIALS:
 Aluminum Dome -AD
 Cast Iron Dome -CID
 Galvanized Cast Iron -G
 Rough Bronze Dome -RBD
 Cast Iron Standpipe -CIS

NOTE: Dimensions shown in parentheses are in millimeters.

REV.	DATE	DESCRIPTION	BY	CKD. BY

WEIGHT POUNDS	VOLUME CUBIC FEET

FIGURE NUMBER
1070 (-E-W)