



**JAY R. SMITH MFG. CO.**  
 DIVISION OF SMITH INDUSTRIES, INC.  
 POST OFFICE BOX 3237  
 MONTGOMERY, ALABAMA 36109-0237 (USA)  
 TEL: 334-277-8520 FAX: 334-272-7396 www.jrsmith.com



MEMBER OF:

LOCATION

# ROOF ACCESSORY

## DOWNSPOUT NOZZLE

**FUNCTION:** Used as a parapet overflow or at the base of a wall where a concealed leader discharges rainwater to ground. Nozzle design diverts water away from building, eliminating wall stains. Wall flange covers rough opening and serves as anchor.

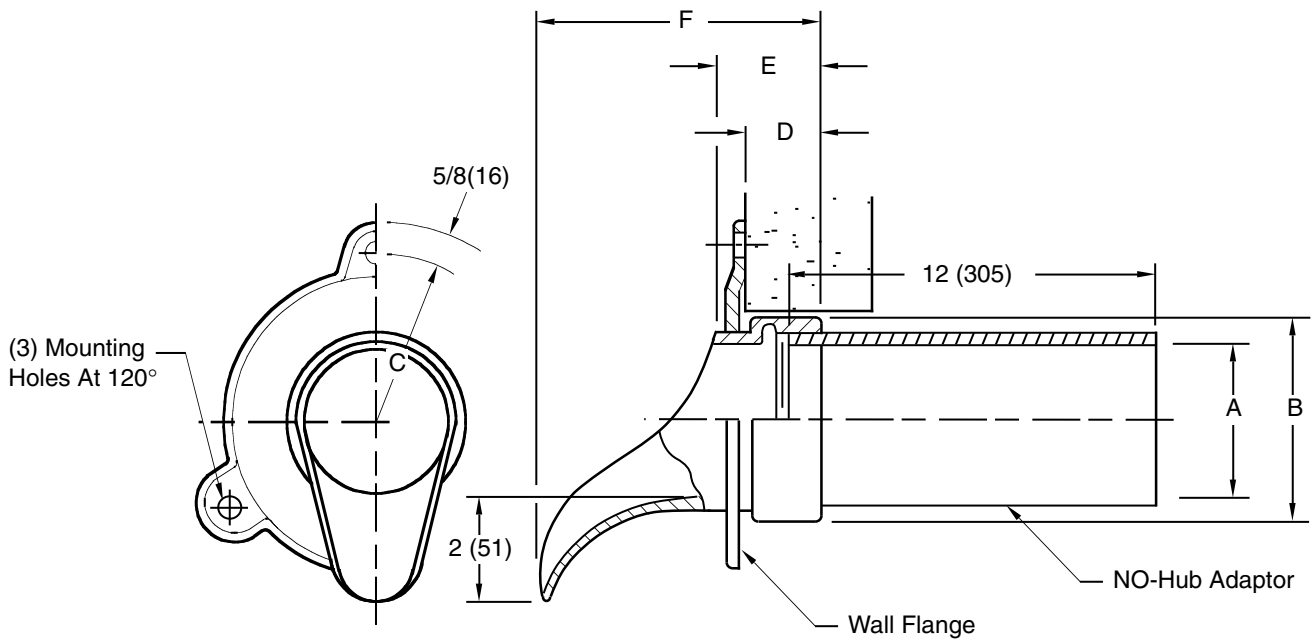


Fig. 1770Y-2.....NO-HUB Connection

A=PIPE	02(50)	03(75)	04(100)	05(125)	06(150)	08(200)	10(255)	12(305)
B=DIA	2 3/4 (70)	4 (100)	5 (125)	6 (150)	7 1/4 (185)	9 1/4 (235)	11 1/8 (283)	13 1/4 (335)
C=RAD	2 3/4 (70)	3 1/2 (89)	3 7/8 (98)	4 3/8 (111)	5 (125)	5 7/8 (149)	7 1/4 (185)	8 (205)
D	1 3/8 (35)	1 3/8 (35)	1 3/8 (35)	1 3/8 (35)	1 3/8 (35)	1 5/8 (41)	1 3/4 (44)	2 (51)
E	2 1/16 (52)	2 1/16 (52)	2 1/16 (52)	2 1/16 (52)	2 1/16 (52)	2 3/8 (60)	2 3/4 (70)	2 15/16 (75)
F	5 5/8 (143)	5 5/8 (143)	5 5/8 (143)	5 5/8 (143)	5 5/8 (143)	5 15/16 (149)	5 3/8 (138)	7 9/16 (192)

**NOTE:** Dimensions shown in parentheses are in millimeters.

**REGULARLY FURNISHED:**  
 Cast Bronze Nozzle and Flange  
 with 12 (305) Long Cast Iron  
 NO-HUB Adaptor.

**VARIATIONS:**  
 Bird Screen -BS

**OPTIONAL MATERIALS:**  
 Nickel Bronze -NB  
 Polished Bronze -PB

DRAWING NUMBER  
S1770Y-2

SIZE  
A

SCALE:  
NONE

DATE:  
2-8-06

APPROVED BY:  
CEL

CHECKED BY:  
CL

DRAWN BY:  
RN

1770Y-2

FIGURE NUMBER

DIMENSIONS ARE SUBJECT TO MANUFACTURERS TOLERANCE AND CHANGE WITHOUT NOTICE

REV.	DATE	DESCRIPTION	BY	CKD. BY

WEIGHT POUNDS	VOLUME CUBIC FEET

**FIGURE NUMBER**  
**1770Y-2**