

C



SMITH
CUSTOMER
DRIVEN

JAY R. SMITH MFG. CO.
DIVISION OF SMITH INDUSTRIES, INC.
POST OFFICE BOX 3237
MONTGOMERY, ALABAMA 36109-0237 (USA)
TEL: 334-277-8520 FAX: 334-272-7396 www.jrsmith.com



ASPE



PDI



MEMBER OF:

LOCATION

DRAWING NUMBER
S9095SIZE
ASCALE:
NONEDATE:
8-229-08APPROVED BY:
BWCHECKED BY:
BWDRAWN BY:
RN

9095

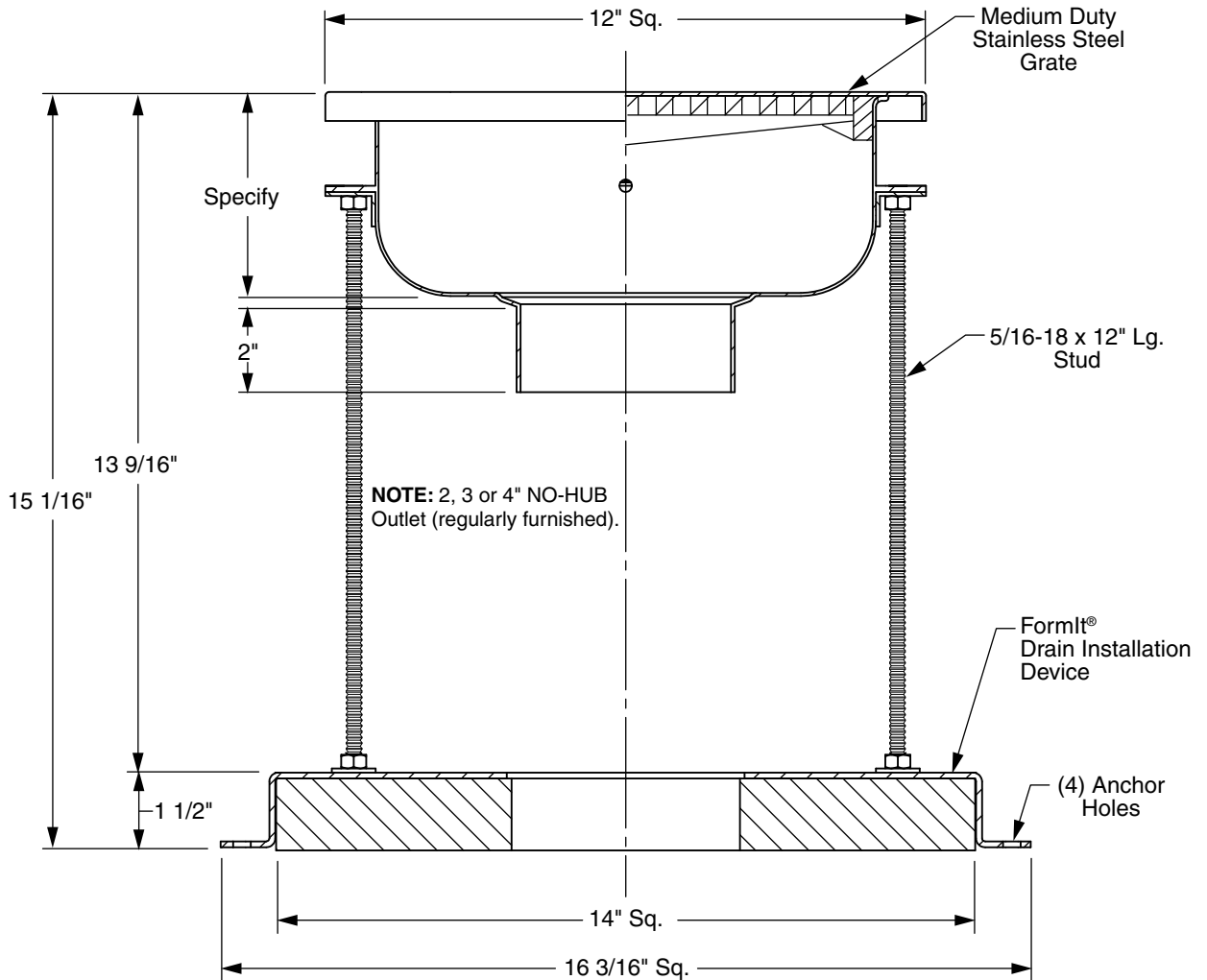
FIGURE
NUMBER

WE CAN ASSUME NO RESPONSIBILITY FOR USE OF SUPERSEDED OR VOID DATA

DIMENSIONS ARE SUBJECT TO MANUFACTURERS TOLERANCE AND CHANGE WITHOUT NOTICE

STAINLESS STEEL FLOOR SINK WITH FormIt® DRAIN INSTALLATION DEVICE

FUNCTION: The Jay R. Smith Mfg. Co.® FormIt® Drain Installation Device is designed to stabilize the drain and provide adjustment during the installation process and allows final connection of outlet piping to drain after the concrete pour.



12" Sq.

Medium Duty Stainless Steel Grate

Specify

2"

15 1/16"

13 9/16"

NOTE: 2, 3 or 4" NO-HUB Outlet (regularly furnished).

5/16-18 x 12" Lg. Stud

FormIt® Drain Installation Device

(4) Anchor Holes

14" Sq.

16 3/16" Sq.

-1 1/2"

REGULARLY FURNISHED:

14 Gauge Type 304 Stainless Steel Receptor Body (specify 4", 6", 8" or 10" Body Depth) with Medium Duty CF8M Stainless Steel Cast Grate and Anchor Flange Modified to accept FormIt® Drain Installation Device.

9095 -4 - (4") Deep Body
9095 -6 - (6") Deep Body
9095 -8 - (8") Deep Body
9095 -10 - (10") Deep Body

REV.	DATE	DESCRIPTION	BY	CKD. BY
C	10/08/10	Revised Reg. Furn, Trap Primer	JJ	BW
B	7-7-10	Revised™ to @	RN	BW
A	05/14/09	Added Function	JJ	BW

WEIGHT
POUNDSVOLUME
CUBIC FEET

FIGURE NUMBER

9095