

D  
DRAWING NUMBER SQ-2-1667  
SIZE A  
SCALE: NONE  
DATE: 7-29-94  
APPROVED BY: CS  
CHECKED BY: JCS  
DRAWN BY: EMB  
FIGURE NUMBER SQ-2-1667

**SMITH® JAY R. SMITH MFG. CO.®**  
 DIVISION OF SMITH INDUSTRIES, INC.  
 POST OFFICE BOX 3237  
 MONTGOMERY, ALABAMA 36109-0237 (USA)  
 TEL: 334-277-8520 FAX: 334-272-7396 www.jrsmith.com

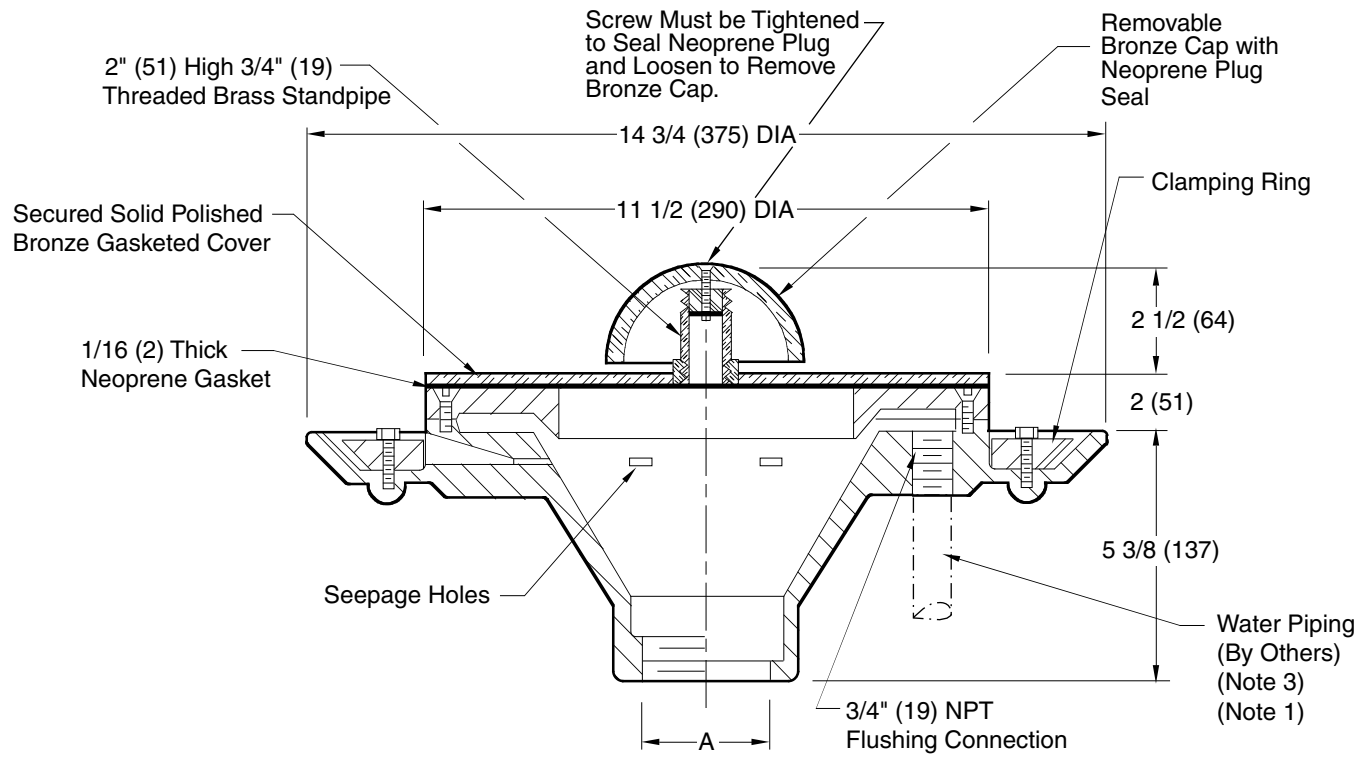
**ASPE**  
 MEMBER OF:

**PDP**  
 INSTITUTE

**ASSE**  
 PLUMBING AND HEATING

**LOCATION**

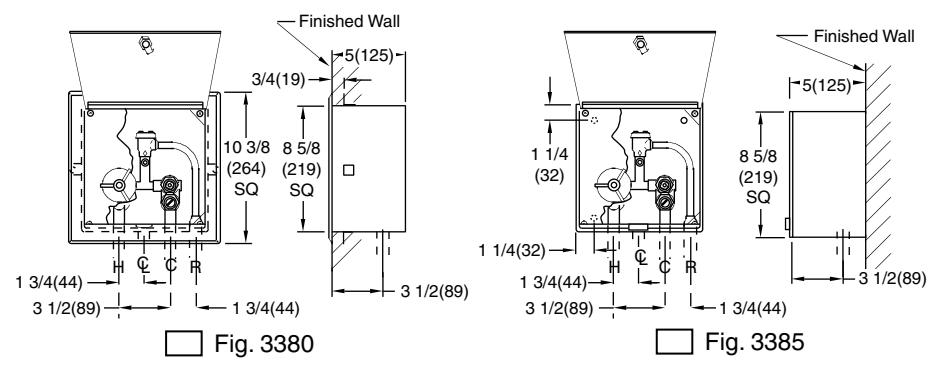
# INSTITUTIONAL TYPE FLUSHING RIM FLOOR DRAIN



**NOTE:** Dimensions shown in parentheses are in millimeters.

SQ-2-1667C  .....INSIDE CAULK OUTLET  
 SQ-2-1667T  .....(THREADED WHEN SPECIFIED)

- NOTE:**
- ① The Potable Water Supply to Which a Flushing Type of Drain is Connected Must be Protected by a Suitable Vacuum Breaker.
  - ② Deep Seal P-Trap (By Others) Recommended for use with this Drain.
  - ③ 3/4" (19) NPT Tapping Provided for Connection to an Appropriate Flush Valve (By Others)



**REGULARLY FURNISHED:**  
 Duco Cast Iron Body with Flashing Flange and Clamping Ring with Acid Resistant Coated Interior, Polished Bronze Secured Solid Cover, Gasketed Cover with 2" (51) High 3/4" (19) Threaded Brass Standpipe with Bronze Cap and Neoprene Plug for Standpipe.

- OPTIONAL MATERIALS:**
- Nickel Bronze Top -NB
  - Fig. 3380 Recessed Water Supply Control Box.
  - Fig. 3385 Wall Mounted Water Supply Control Box.

D	9-11-02	Added 3380 & 3385	RN	JMc	WEIGHT POUNDS	VOLUME CUBIC FEET	FIGURE NUMBER <b>SQ-2-1667</b>
C	6-19-02	Added and Revised Notes	RN	BW			
B	6-4-02	Revised Millimeters	RN	BW			
A	6-9-95	Chg'd Dwg & Added Millimeters	EMB	BS			
REV.	DATE	DESCRIPTION	BY	CKD. BY			

DIMENSIONS ARE SUBJECT TO MANUFACTURERS TOLERANCE AND CHANGE WITHOUT NOTICE