

B

SMITH® JAY R. SMITH MFG. CO.®
 DIVISION OF SMITH INDUSTRIES, INC.
 POST OFFICE BOX 3237
 MONTGOMERY, ALABAMA 36109-0237 (USA)
 TEL: 334-277-8520 FAX: 334-272-7396 www.jrsmith.com



MEMBER OF:

LOCATION

DRAWING NUMBER
SSQ-8-1164

SIZE
A

SCALE:
NONE

DATE:
6-8-98

APPROVED BY:
SJM

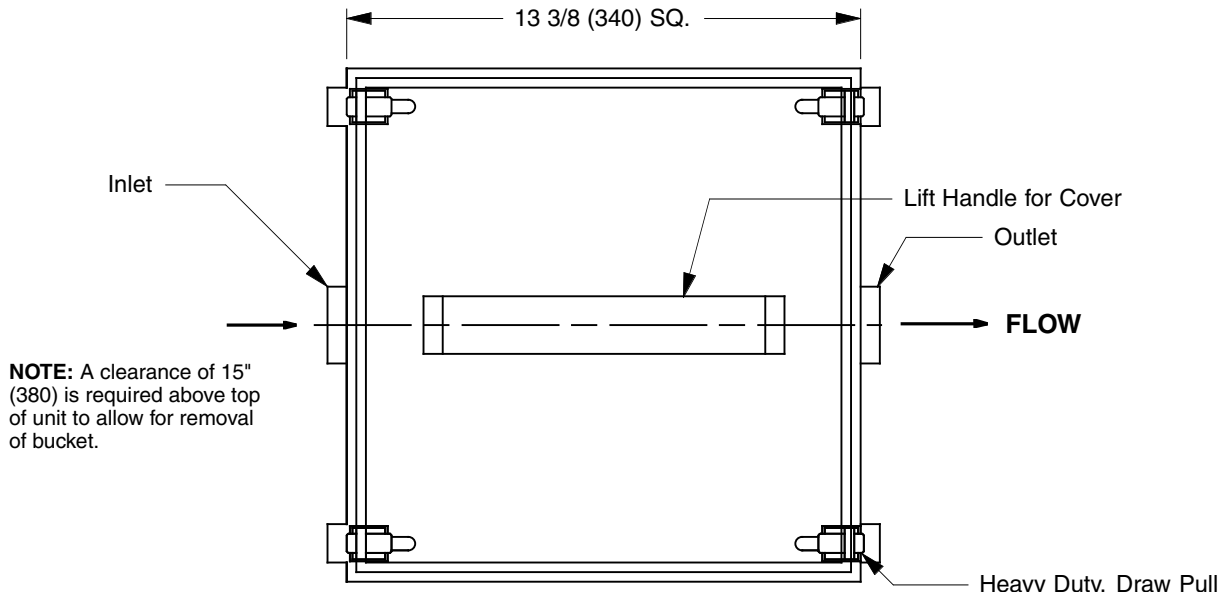
CHECKED BY:
SJM

DRAWN BY:
WAS

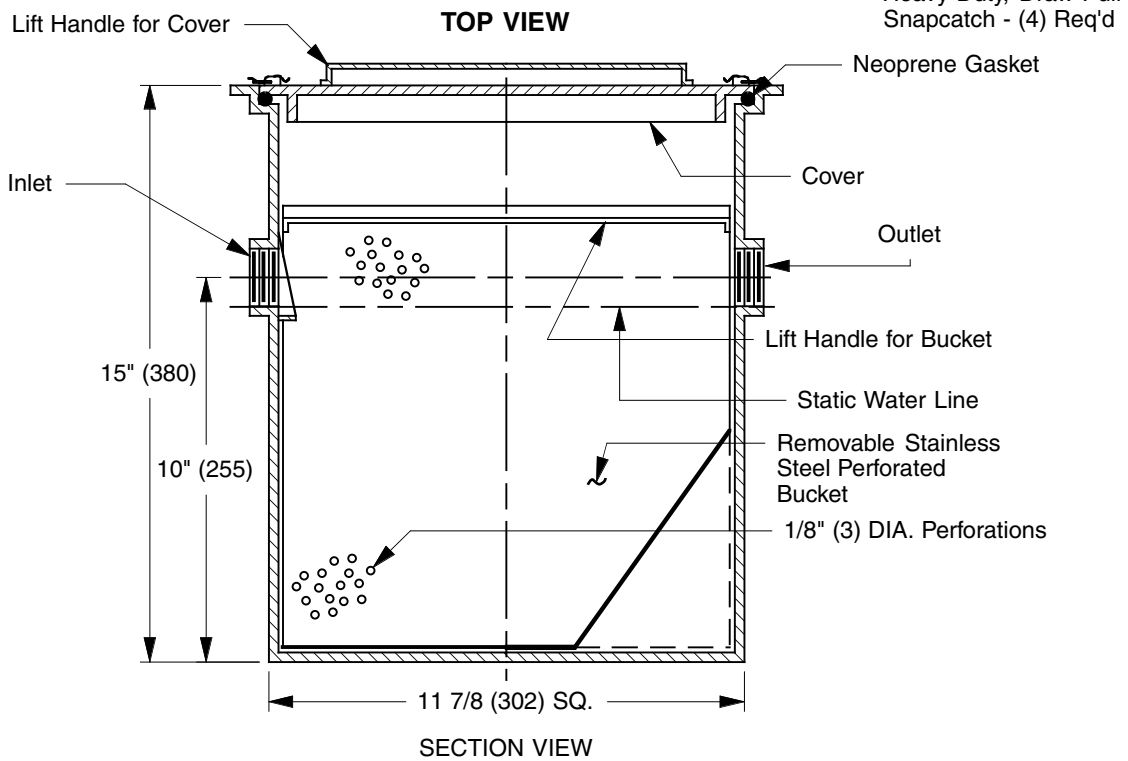
SQ-8-1164

WE CAN ASSUME NO RESPONSIBILITY FOR USE OF SUPERSEDED OR VOID DATA.

FISH SCALE INTERCEPTOR



NOTE: A clearance of 15" (380) is required above top of unit to allow for removal of bucket.



REGULARLY FURNISHED:

White Duco Coated Fabricated Steel Body, Stainless Steel Perforated Removable Bucket, Gasketed Cover Complete with Lift Handle and Four Heavy Duty, Draw Pull Snap Catches and 2" (50) Threaded Inlet and Outlet.

NOTE: Dimensions shown in parentheses are in millimeters.

| REV. | DATE | DESCRIPTION | BY | CKD. BY |
|------|---------|-------------|-----|---------|
| B | 8-25-98 | Added Note | CMD | BS |
| A | 6-8-98 | Redrawn | CMD | BS |

| | |
|---------------|-------------------|
| WEIGHT POUNDS | VOLUME CUBIC FEET |
| | |

| |
|----------------------|
| FIGURE NUMBER |
| SQ-8-1164 |