



JAY R. SMITH MFG. CO.
Since 1926

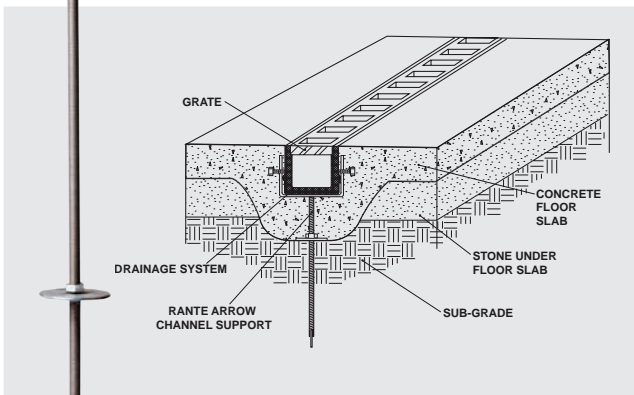


TRENCH DRAIN SYSTEMS

RANTE ARROW

CHANNEL SUPPORT FIG. # 9849

The 9849 Rante Arrow is designed for use with the 9930 and 9931 Enviro-Flo® Drainage Systems. The Rante Arrow firmly anchors the drainage system in most sub-base conditions, eliminating flotation, tie-downs, and anchor weights.



Exclusive Product Features:

STRENGTH AND DEPENDABILITY: Firmly anchors the drainage system in many different sub-grade terrains; prevents flotation and eliminates costly tie-downs and anchoring weights.

ADJUSTABILITY: Easy and precise vertical and side-to-side (1") adjustment; built-in-leveling device.

LABOR SAVING: Entire drainage system may be installed by one person.

COST-EFFECTIVE: Only one (1) anchor per 39" of channel length.

Contractor Friendly Products
By Jay R. Smith Mfg. Co.

JAY R. SMITH MFG. CO. 800.467.6484 www.jrsmith.com



JAY R. SMITH MFG. CO.[®]

Member of Acorn's Family of Companies

Plumbing and Drainage Products
P.O. Box 3237
Montgomery, AL 36109-0237
Tel 800-467-6484 • 334-277-8520
Fax 334-272-7396

www.jrsmith.com

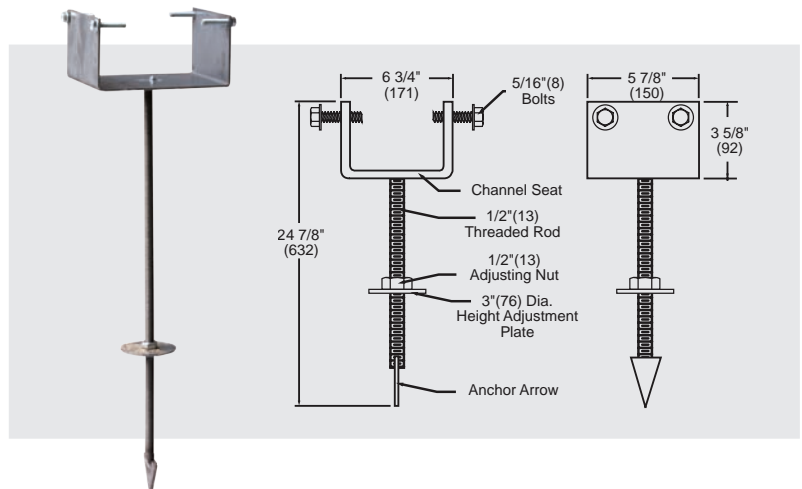


RANTE DOUBLE ARROW CHANNEL SUPPORT FIG. # 9869-D

This installation device supports and holds channel ends together, allowing vertical and horizontal adjustment to Smith/ACO Trench Drain Series channels. Suitable for use with 9814, 9816, 9818 and 9820 systems only.

Product Features:

- Supports and holds two (2) channel ends together.
- Allows for vertical and horizontal adjustment to Smith/ACO Trench Drain Series.
- Allows monolithic pour of concrete.



FAMILY OF COMPANIES