

N

SMITH® JAY R. SMITH MFG. CO.®
 DIVISION OF SMITH INDUSTRIES, INC.
 POST OFFICE BOX 3237
 MONTGOMERY, ALABAMA 36109-0237 (USA)
 TEL: 334-277-8520 FAX: 334-272-7396 www.jrsmith.com

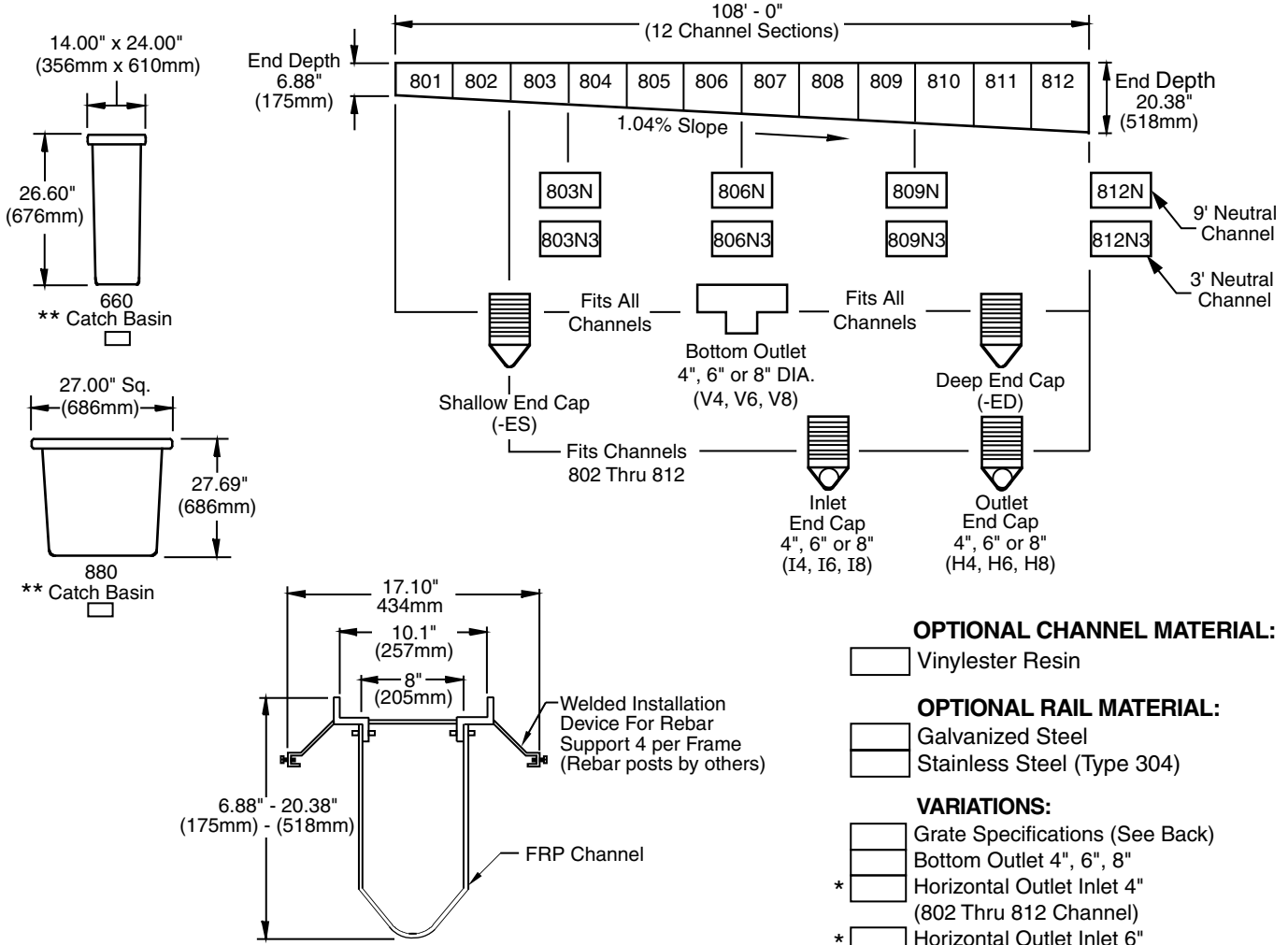


MEMBER OF:

LOCATION

10" WIDE HIGH CAPACITY PRE-SLOPED FIBERGLASS TRENCH DRAIN SYSTEM

FUNCTION: Used in all surface drainage and may be assembled in any length utilizing 9 foot sloped high capacity channels to reduce installation time and labor.



OPTIONAL CHANNEL MATERIAL:

Vinylester Resin

OPTIONAL RAIL MATERIAL:

Galvanized Steel
 Stainless Steel (Type 304)

VARIATIONS:

- Grate Specifications (See Back)
- Bottom Outlet 4", 6", 8"
- * Horizontal Outlet Inlet 4" (802 Thru 812 Channel)
- * Horizontal Outlet Inlet 6" (803 Thru 812 Channel)
- * Horizontal Outlet Inlet 8" (805 Thru 812 Channel)
- * Universal Shallow Closing End Cap
- * Universal Deep Closing End Cap
- 880 Catch Basin
- 660 Catch Basin
- Plastic Bucket 880 Catch Basin
- Plastic Bucket 660 Catch Basin

**** SPECIFY CATCH BASIN GRATE**

- Ductile Iron Slotted Grate
- Galvanized Steel Bar Grate
- Stainless Steel Bar Grate

* When Closing End Cap, Inlet Cap, or Horizontal Outlet Cap are Specified a End Frame must be Specified also.

REGULARLY FURNISHED:

9' Foot Long High Capacity Polyester Fiberglass Channel with Sloped Radius Bottom Surface with Male/Female Connections Providing a High Integrity Lap Joint. Duco Coated Welded Steel Frame Support System with Concrete Anchors (One Pair Every 18 Inches). Supplied with Secured Grate Per Your Specification.

Note: This trench drainage system is designed for "on grade applications only", as there are no provisions for a flashing flange or flashing clamp.



DRAWING NUMBER
a9812

SIZE
A

SCALE:
NONE

DATE:
8-20-93

APPROVED BY:
PACE

CHECKED BY:
PACE

DRAWN BY:
TWK

9812

WE CAN ASSUME NO RESPONSIBILITY FOR USE OF SUPERSEDED OR VOID DATA

DIMENSIONS ARE SUBJECT TO MANUFACTURERS TOLERANCE AND CHANGE WITHOUT NOTICE

N	9-27-07	Revised Drawing	JJ	MD	WEIGHT POUNDS	VOLUME CUBIC FEET	FIGURE NUMBER 9812
M	5-16-05	Added Note	TBW	PJ			
L	5-16-05	Rev. End Depths	RN	MD			
REV.	DATE	DESCRIPTION	BY	CKD. BY			

P



JAY R. SMITH MFG. CO.®
 DIVISION OF SMITH INDUSTRIES, INC.
 POST OFFICE BOX 3237
 MONTGOMERY, ALABAMA 36109-0237 (USA)
 TEL: 334-277-8520 FAX: 334-272-7396 www.jrsmith.com



MEMBER OF:

LOCATION

10" WIDE HIGH CAPACITY PRE-SLOPED FIBERGLASS TRENCH DRAIN SYSTEM

DRAWING NUMBER
a9812BS

SIZE
A

SCALE:
NONE

DATE:
8-20-93

APPROVED BY:
PACE

CHECKED BY:
TWK

DRAWN BY:
TWK

9812BS

WE CAN ASSUME NO RESPONSIBILITY FOR USE OF SUPERSEDED OR VOID DATA

DIMENSIONS ARE SUBJECT TO MANUFACTURERS TOLERANCE AND CHANGE WITHOUT NOTICE

Deep End Depths 9812 System

Channel Number	Deep End Depths*		Holding Capacity (gallons)
	in .	mm	
9812-801	8.00	203	18.37
9812-802	9.13	232	22.58
9812-803	10.25	260	26.79
** 9812-803N	10.25	260	28.80
*** 9812-803N3	10.25	260	9.60
9812-804	11.38	289	31.00
9812-805	12.50	317	35.21
9812-806	13.63	346	39.42
** 9812-806N	13.63	346	41.50
*** 9812-806N3	13.63	346	13.83
9812-807	14.75	374	43.63
9812-808	15.88	403	47.84
9812-809	17.00	432	52.05
** 9812-809N	17.00	432	54.10
*** 9812-809N3	17.00	432	18.00
9812-810	18.13	460	56.26
9812-811	19.25	489	60.47
9812-812	20.38	517	64.68
** 9812-812N	20.38	517	66.76
*** 9812-812N3	20.38	517	22.25

Outlet Cap Flow Rates

Outlet Size	Channel	Invert Depth	GPM	CFS
4" Vertical	801	7.88 (200)	154	0.34
4" Vertical	812	20.25 (514)	246	0.54
6" Vertical	801	7.88 (200)	346	0.77
6" Vertical	812	20.25 (514)	553	1.23
8" Vertical	801	7.88 (200)	616	1.37
8" Vertical	812	20.25 (514)	982	2.18
4" Horizontal	802	9.00 (229)	145	0.33
4" Horizontal	812	20.25 (514)	233	0.54
6" Horizontal	803	10.13 (257)	330	0.76
6" Horizontal	812	20.25 (514)	510	1.17
8" Horizontal	805	12.38 (314)	635	1.46
8" Horizontal	812	20.25 (514)	880	2.03

Dim's in () are mm.

** 9' Long Neutral Channel
 *** 3' Long Neutral Channel

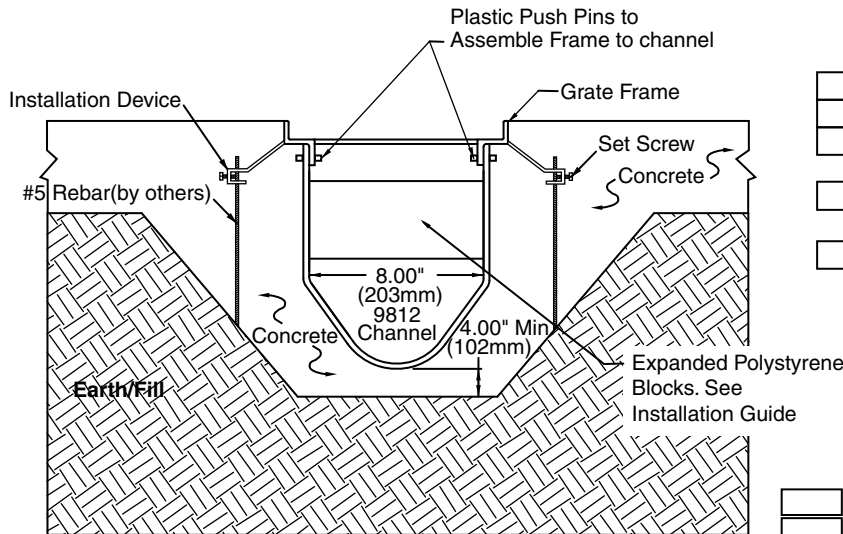
Note: This trench drainage system is designed for "on grade applications only", as there are no provisions for a flashing flange or flashing clamp.

Heavy Duty, DIN 19580 Class C -56,000 lbs - 1,162 psi For commercial pneumatic tire traffic patterns, forklifts and tractor trailers.

- 9812-CI Slotted Cast Iron Grate 61.25 SQ IN
- 9812-G Galvanized Bar Grate 263.5 SQ IN
- 9812-SS (Type 304) Stainless Steel Bar Grate 263.5 SQ IN
- 9812-SS (Type 316) Stainless Steel Bar Grate 263.5 SQ IN
- 9812-F Vinylster Fiberglass Bar Grate 35.00 SQ IN

Extra Heavy Duty, DIN 19580 Class E - 135,000 lbs - 2,788 psi For commercial solid tire traffic patterns, forklifts and impacts from steel struts or metal wheels.

- 9812-M Slotted Ductile Iron Grate 61.25 Sq. In.
- 9812-MADA Ductile Iron ADA Grate 42.00 Sq. In.



TYPICAL INSTALLATION CROSS SECTION



REV.	P N M	9-27-07 5-16-05 12/29/04	Revised Drawing Added Note Revised Loads Class C and E	JJ TBW JJ	MD PJ PJ	WEIGHT POUNDS	VOLUME CUBIC FEET	FIGURE NUMBER
		DATE	DESCRIPTION	BY	CKD. BY			9812BS