

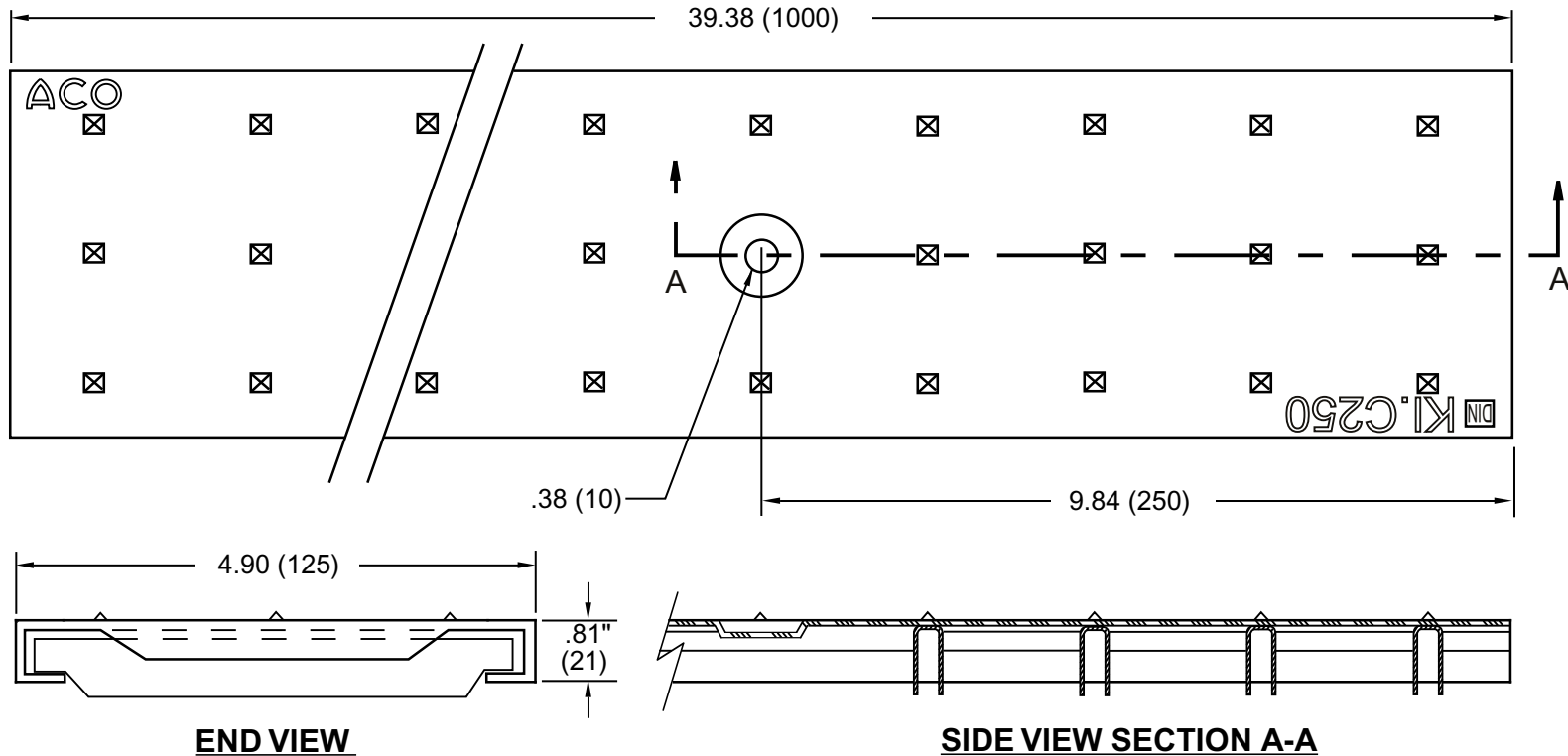
FIGURE NUMBER	<b>9870-416-GS</b>	DRAWN BY: RN	CHECKED BY: MD	APPROVED BY: MD	DATE: 2-5-01	SCALE: NONE	SIZE <b>A</b>	DRAWING NUMBER a9870-416-GS	<b>A</b>
---------------	--------------------	-----------------	-------------------	--------------------	-----------------	----------------	------------------	--------------------------------	----------

DIMENSIONS ARE SUBJECT TO MANUFACTURERS TOLERANCE AND CHANGE WITHOUT NOTICE

WE CAN ASSUME NO RESPONSIBILITY FOR USE OF SUPERSEDED OR VOID DATA

# 9870-416-GS GALVANIZED SOLID HEAVY DUTY GRATE

Heavy Duty, DIN 19580 Class C - 56,000 lbs - 1,162 psi  
For commercial pneumatic tire traffic patterns, forklifts and tractor trailers



**REGULARLY FURNISHED:**  
Galvanized Solid Steel  
Heavy Duty Grate w/Locking  
Device.

**VARIATIONS:**  

	1 Meter Cover 39.38"
	1/2 Meter Cover 19.68"

**NOTE:** Dimensions in parentheses are Metric.



**JAY R. SMITH MFG. CO.®**  
DIVISION OF SMITH INDUSTRIES, INC.  
POST OFFICE BOX 3237  
MONTGOMERY, ALABAMA 36109-0237 (USA)  
TEL: 334-277-8520 FAX: 334-272-7396 www.jrsmith.com



MEMBER OF:



A	8-27-04	Revised Drawing	RN	PJ
REV.	DATE	DESCRIPTION	BY	CKD. BY