

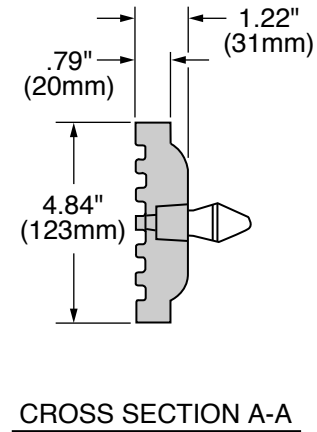
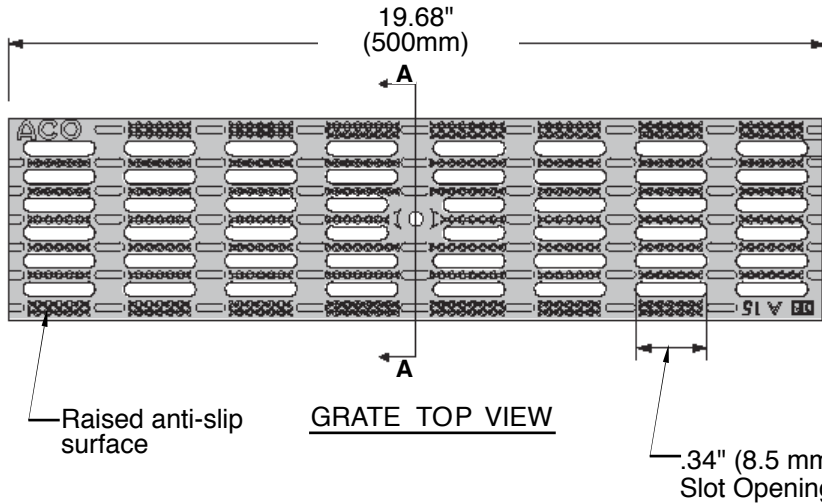
FIGURE NUMBER	<b>9870-494-PADA</b>	DRAWN BY: RN	CHECKED BY: PJ	APPROVED BY: PJ	DATE: 2-5-01	SCALE: NONE	SIZE <b>A</b>	DRAWING NUMBER a9870-494-PADA	D
---------------	----------------------	-----------------	-------------------	--------------------	-----------------	----------------	------------------	----------------------------------	---

DIMENSIONS ARE SUBJECT TO MANUFACTURERS TOLERANCE AND CHANGE WITHOUT NOTICE

WE CAN ASSUME NO RESPONSIBILITY FOR USE OF SUPERSEDED OR VOID DATA

# 9870-494-PADA GRATE SPECIFICATION SHEET

**Light Duty, DIN 19580 Class A - 3,500 lbs - 70 psi**  
**For pedestrian, wheel chair and bicycle traffic**



**REGULARLY FURNISHED:**  
 Black Molded Polypropylene 1/2 Meter  
 ADA Compliant Grate with Quick-Lock.

**VARIATIONS:**

- Gray Color
- Green Color
- Brick Red Color

**NOTE:** Dimensions in  
 Parentheses are Metric.

**OPEN AREA: 28.00 SQ. IN.**



**SMITH® JAY R. SMITH MFG. CO.**  
 DIVISION OF SMITH INDUSTRIES, INC.  
 POST OFFICE BOX 3237  
 MONTGOMERY, ALABAMA 36109-0237 (USA)  
 TEL: 334-277-8520 FAX: 334-272-7396 www.jrsmith.com



MEMBER OF:



D	05/03/05	Added Variations, Removed Optional Material	JJ	PJ
C	12/14/04	Added Optional Material	JJ	PJ
B	09/20/04	Revised Drawing	JJ	PJ
A	8-27-04	Revised Drawing	RN	PJ
REV.	DATE	DESCRIPTION	BY	CKD. BY