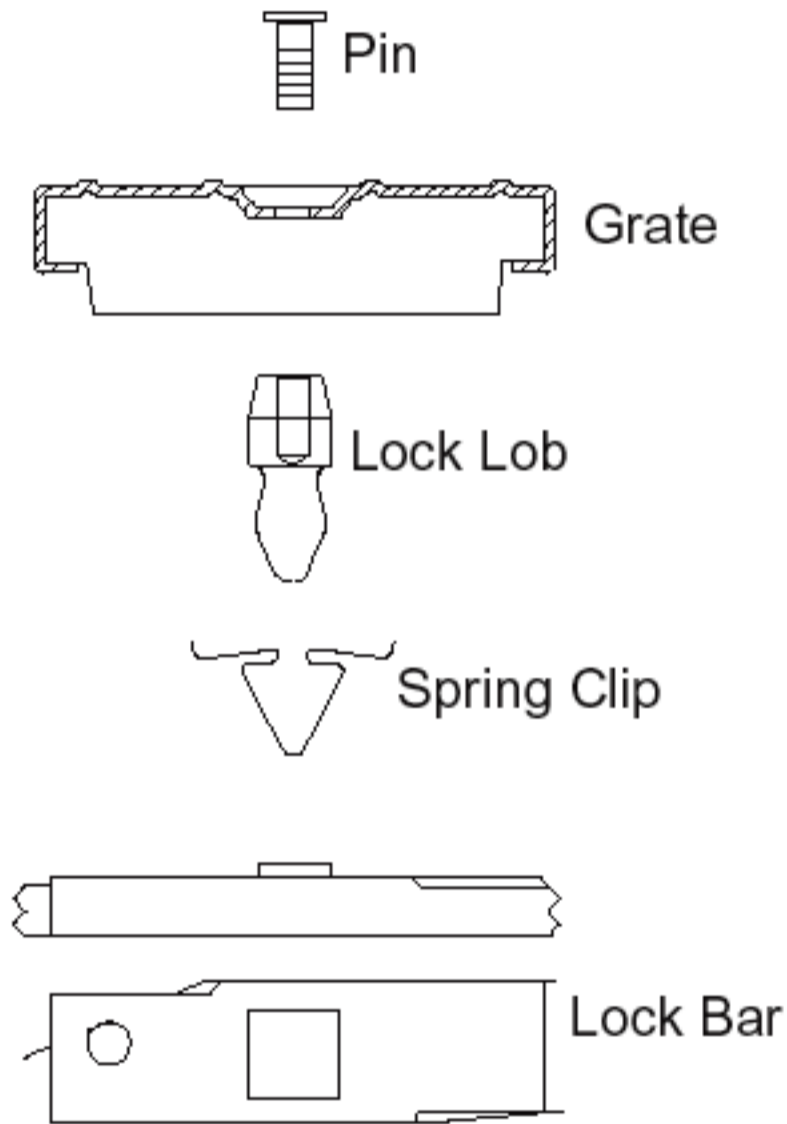
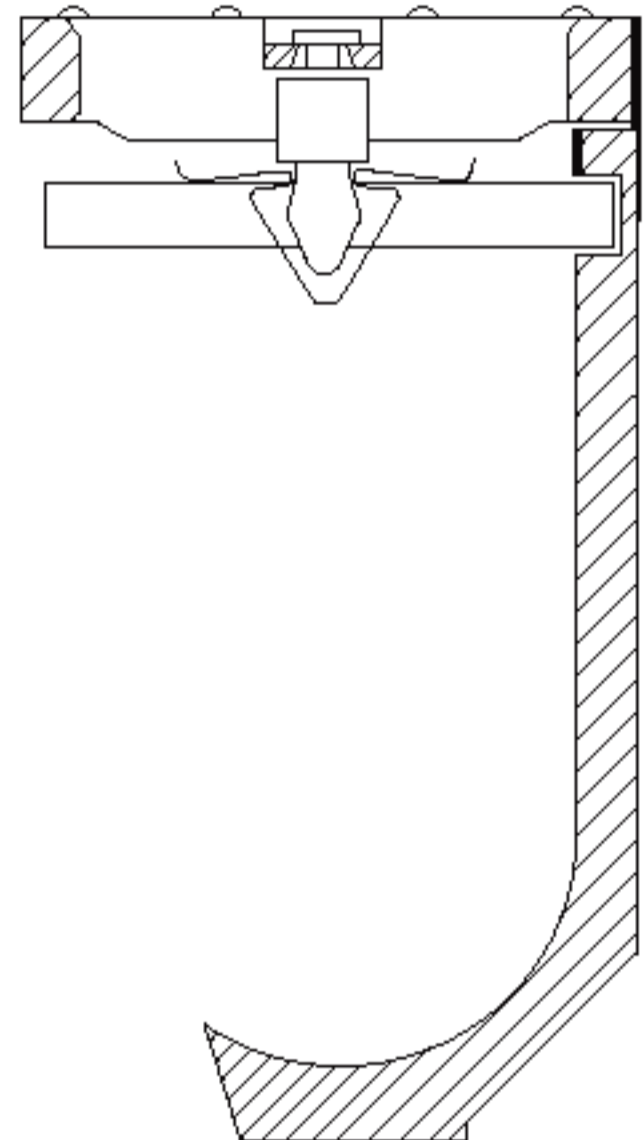


QUICKLOCK DETAIL



QuickLock® assembly components



Cross section with QuickLock®